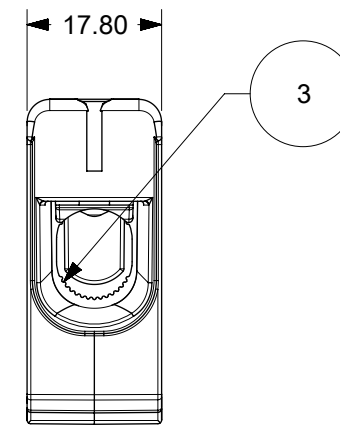
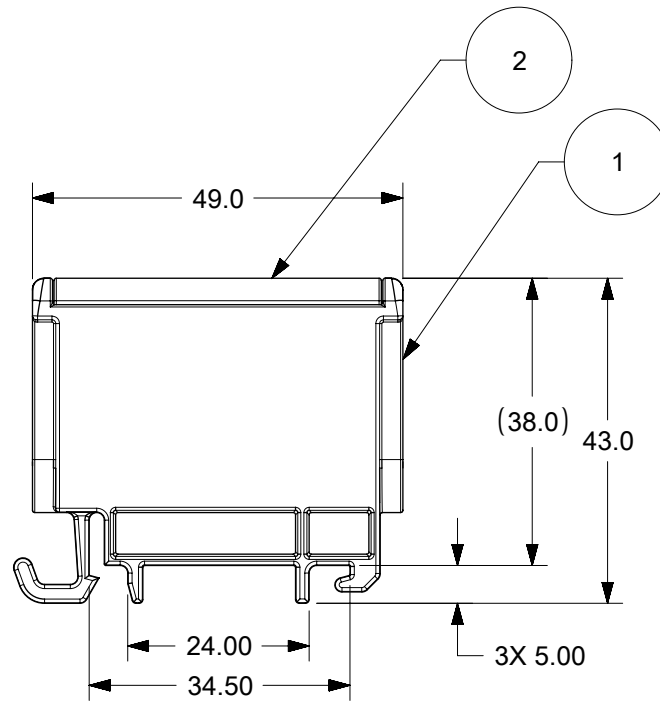
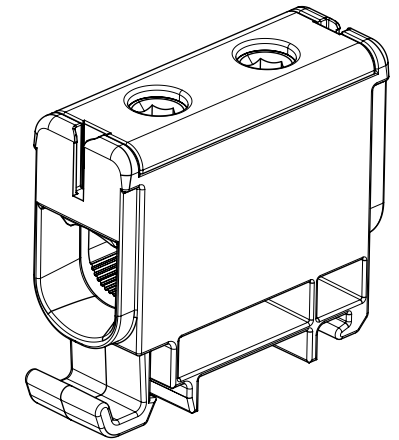
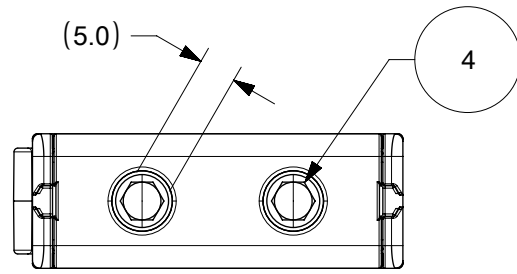


NOTES:

1. MOUNTING TYPE: DIN RAIL SIZE 35x7.5 mm.
2. VOLTAGE: 600 V.
3. CURRENT: Cu 150 A, Al 120 A.
3. WIRE CROSS-SECTION RANGE:  
Cu/Al 6-1/0 AWG (13-53 mm<sup>2</sup>) STRANDED,  
Cu 3x8 AWG (3X8.3mm<sup>2</sup>) STRANDED,  
Cu 2X6 AWG (2X13mm<sup>2</sup>) STRANDED.
4. HEAD CAP SCREW WITH 5mm HEXAGON SOCKET SIZE.  
USE A TOOL WITH LENGTH ALLOWING FOR A FULL SCREW ENGAGEMENT.
5. RECOMMENDED TIGHTENING TORQUE:  
90 lb-in (10Nm).
6. ALL ELECTRICAL AND MECHANICAL SPECIFICATIONS ARE PER UL1059 AS NOTED IN MOLEX UL AGENCY APPROVAL.
7. THE SUITABILITY OF THESE TERMINALS SHALL BE DETERMINED IN THE END-USE INVESTIGATION.
8. AS ENVIRONMENTAL BARRIER DIELECTRIC GREASE MAY BE PRESENT IN THE WIRING CHAMBER. ENSURE TO USE THE RECOMMENDED TIGHTENING TORQUE FOR ALL CONDUCTORS.



2016060613	MX-KE61.3	UCLP 1PL GRN/YLW 150A	GREEN	YELLOW
2016060612	MX-KE61.2	UCLP 1PL GRY/BLU 150A	GREY	BLUE
2016060610	MX-KE61	UCLP 1PL GRY/GRY 150A	GREY	GREY
MATERIAL No.	ENGINEERING No.	DESCRIPTION	HOUSING COLOR	COVER COLOR

4	2	SCREW, SET	ALUMINUM
3	1	CAGE	ALUMINUM
2	1	COVER	POLYAMIDE
1	1	HOUSING	POLYAMIDE
ITEM	QTY	DESCRIPTION	MATERIAL

THIS DRAWING CONTAINS INFORMATION THAT IS PROPRIETARY TO MOLEX ELECTRONIC TECHNOLOGIES, LLC AND SHOULD NOT BE USED WITHOUT WRITTEN PERMISSION

EC NO: 120665 DRWN: WLEUNG CHKD: DNGUYEN62 APPR: JFMURPHY	2017/08/14 2017/08/15 2017/08/18	GENERAL TOLERANCES (UNLESS SPECIFIED) ANGULAR TOL ± °	DIMENSION UNITS: mm SCALE: 1:1				
	4 PLACES ± 3 PLACES ± 2 PLACES ± SEE CHART 1 PLACE ± SEE CHART 0 PLACES ±	DRAFT WHERE APPLICABLE MUST REMAIN WITHIN DIMENSIONS	DRAWING SIZE: B THIRD ANGLE PROJECTION				
	PRODUCT CUSTOMER DRAWING			SERIES: 201606 MATERIAL NUMBER: SEE CHART CUSTOMER:	DOCUMENT NUMBER: 2016060610 DOC TYPE: PSD DOC PART: 000 SHEET NUMBER: 1 OF 1		
	RELEASE STATUS: P1 RELEASE DATE: 18.08.2017 19:46:45						

TOLERANCE	>0.5=3	>=6	>6=30	>30=120	>120=400
ISO 2768-m	±0.1	±0.1	±0.2	±0.3	±0.5