

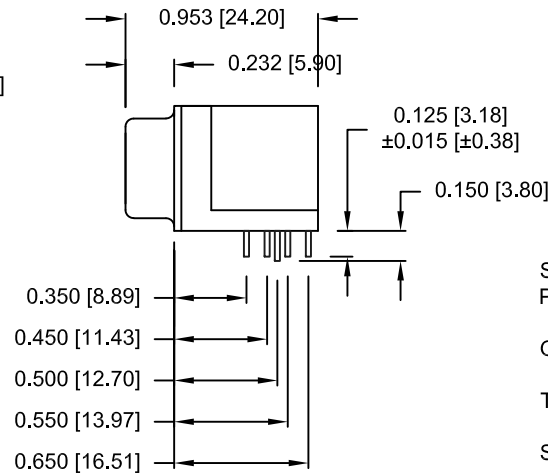
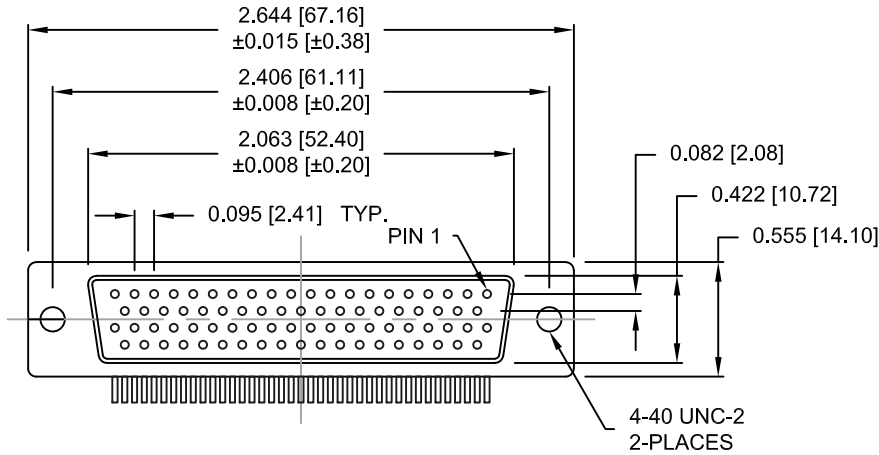
DESCRIPTION: HIGH DENSITY - FEMALE - RIGHT ANGLE

**ELECTRICAL:**

CURRENT RATING: 3 AMPS  
 CONTACT RESISTANCE: 15 MILLIOhms Max.  
 INSULATION RESISTANCE: 1,000 MEGOhms Min. AT 500VDC  
 WITHSTANDING VOLTAGE: 1,000VAC FOR 1 MINUTE  
 TEMPERATURE: -55°C TO +105°C

**MATERIALS:**

SHELL: STEEL  
 INSULATOR: PBT, (UL94-0)  
 CONTACT: COPPER ALLOY  
 CONTACT FINISH: SEE PART NUMBER KEY BELOW  
 BOARD LOCK: BRASS - TIN PLATED  
 RIVET INSERT: BRASS - NICKEL PLATED



**181-078-2 1 3 L YY 1**

SERIES 181-078-2  
 POSITIONS 078  
 GENDER 2 = FEMALE  
 TERMINATION 1 = DIP SOLDER  
 SHELL PLATING 3 = NICKEL PLATED  
 RoHS COMPLIANT  
 L = LOW TEMP. PROCESS  
 HARDWARE OPTIONS  
 53 = 4-40 INSERTS / BOARDLOCKS  
 56 = 4-40 SCREWLOCKS / BOARDLOCKS  
 PLATING OPTIONS  
 1 = GOLD FLASH (MATING AREA)  
 TIN TAILS (SOLDER AREA)

DO NOT SCALE FROM DRAWING



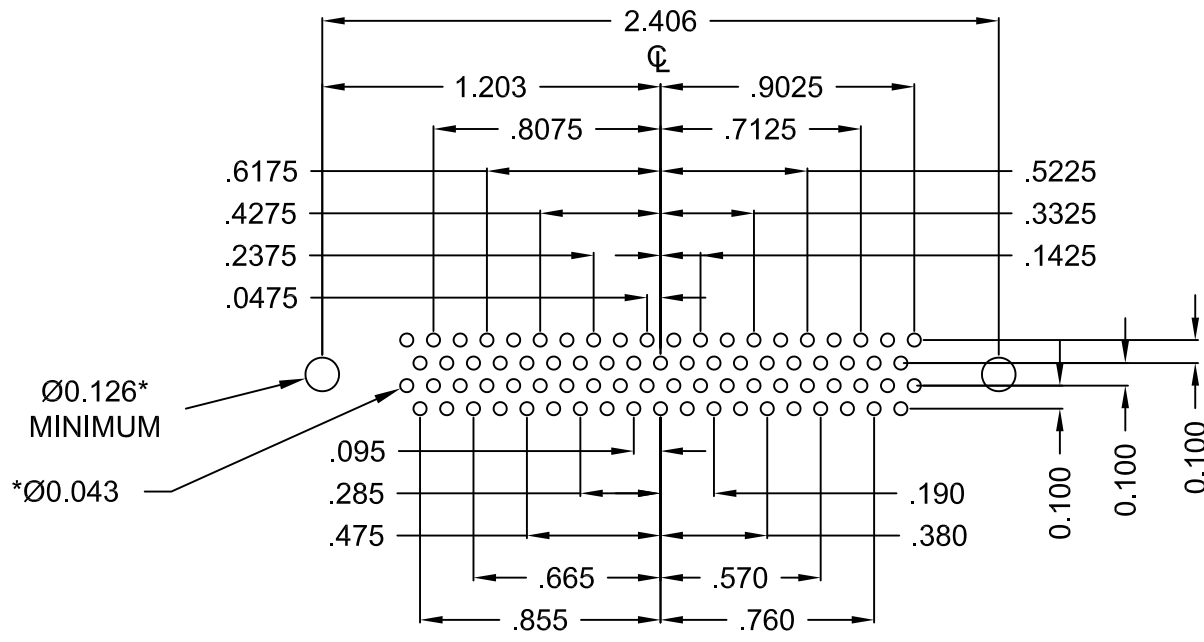
THESE DRAWINGS AND SPECIFICATIONS ARE THE PROPERTY OF NorComp AND SHALL NOT BE REPRODUCED, COPIED OR USED AS THE BASIS FOR THE MANUFACTURE OR SALE OF APPARATUS WITHOUT WRITTEN PERMISSION.

DRAWN: C. SMITH		DATE: 07-01-10	
SCALE: NTS	SHEET 1	OF 2	REV 6
DWG NO. 181-078-213LYY1			

RoHS COMPLIANT

**NorComp**

DESCRIPTION: PCB LAYOUT - RIGHT ANGLE - FEMALE

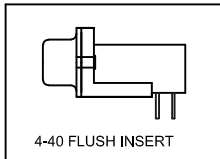
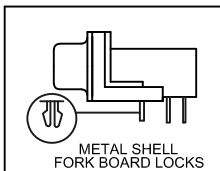


78 POSITION

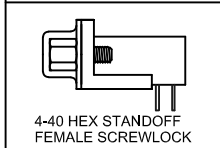
HOLE PATTERN SHOWN  
ARE FOR MALE

UNITS = inch

\* TYP.  
SUGGESTED SIZE  
MAY NOT BE SUITABLE FOR ALL APPLICATIONS



53  
BOARD LOCKS  
IN FRONT HOLE



56  
BOARD LOCKS  
IN FRONT HOLE

DO NOT SCALE FROM DRAWING

	THESE DRAWINGS AND SPECIFICATIONS ARE THE PROPERTY OF NorComp AND SHALL NOT BE REPRODUCED, COPIED OR USED AS THE BASIS FOR THE MANUFACTURE OR SALE OF APPARATUS WITHOUT WRITTEN PERMISSION.		DRAWN: C. SMITH	DATE: 07-01-10
	<h1>NorComp</h1>		SCALE: NTS	SHEET 1 OF 2
			DWG NO. 181-078-213LYY1	