



# Product Change Notification

## TE Connectivity

Product Change Notification: P-22-023734

PCN Date: 07-DEC-22

TE would like to inform you of the following change(s) to the listed TE Connectivity Product. In case of any further questions about this change(s), please contact your TE Connectivity Sales Engineer. Affected part, drawing and/or specification numbers are listed on the attached sheet(s).

**General Product Description:**  
250 POSITIVE LOCK 1POS. PLUG HOUSING LOW PRO TYPE CONNECTOR

**Description of Changes**  
Adjust insertion feeling of 250 Positive lock 1pos connector.  
**Other attachments:**  
[20221207\\_Positive\\_lock\\_adjust\\_appendix](#)  
[C-174090\\_revision C1](#)

**Reason for Changes:**  
Document clarification.Adjust insertion feeling by adjusted moisture period in the product process. No affect product function and no design change by this adjust. TE confirmed adjusted product met 108-5150.

**Estimated Dates:**

<b>Last Order Date</b> (Obsolete Parts Only):	<b>First Date To Ship</b> (Changed Parts Only):
	15-MAR-2023
<b>Last Ship Date</b> (Obsolete Parts Only):	<b>Last Date for Mixed Shipments:</b> (Changed Parts Only):
	No Mixed Shipments

**Part Number(s) being Modified:**

Part Number	Part Discontinued per PCN	Customer Drawing	Customer Part Number	Alias Part Number(s)	Substitute Part Number	Substitute Alias Part Number(s)	Description Of Difference
<a href="#">174090-2</a>	NO						

**Part Number(s) being Modified:**

Part Number	Part Discontinued per PCN	Customer Drawing	Customer Part Number	Alias Part Number(s)	Substitute Part Number	Substitute Alias Part Number(s)	Description Of Difference
<a href="#">174090-2</a>	NO						

**Part Number(s) being Modified:**

Part Number	Part Discontinued per PCN	Customer Drawing	Customer Part Number	Alias Part Number(s)	Substitute Part Number	Substitute Alias Part Number(s)	Description Of Difference
<a href="#">174090-2</a>	NO						

# Insertion feeling adjust

## Applied Part numbers

- 174090-1, 174090-2, 174090-3

## Purpose

- To adjust 250 series POSITIVE LOCK RECEPTACLE insertion feeling when insert it to housing.

## Changing point

- Adjust moisture period in the product process.

## Evaluation result

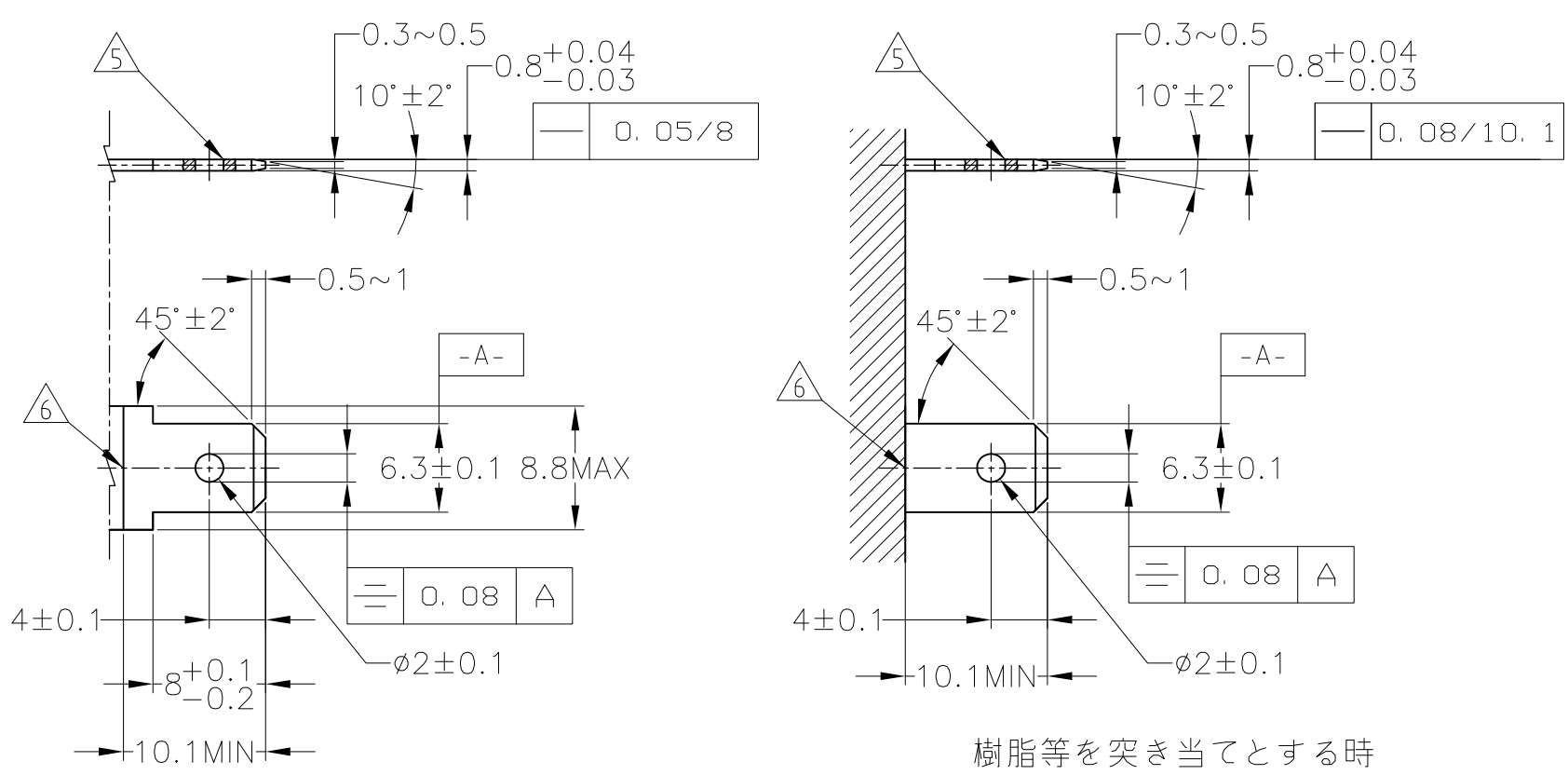
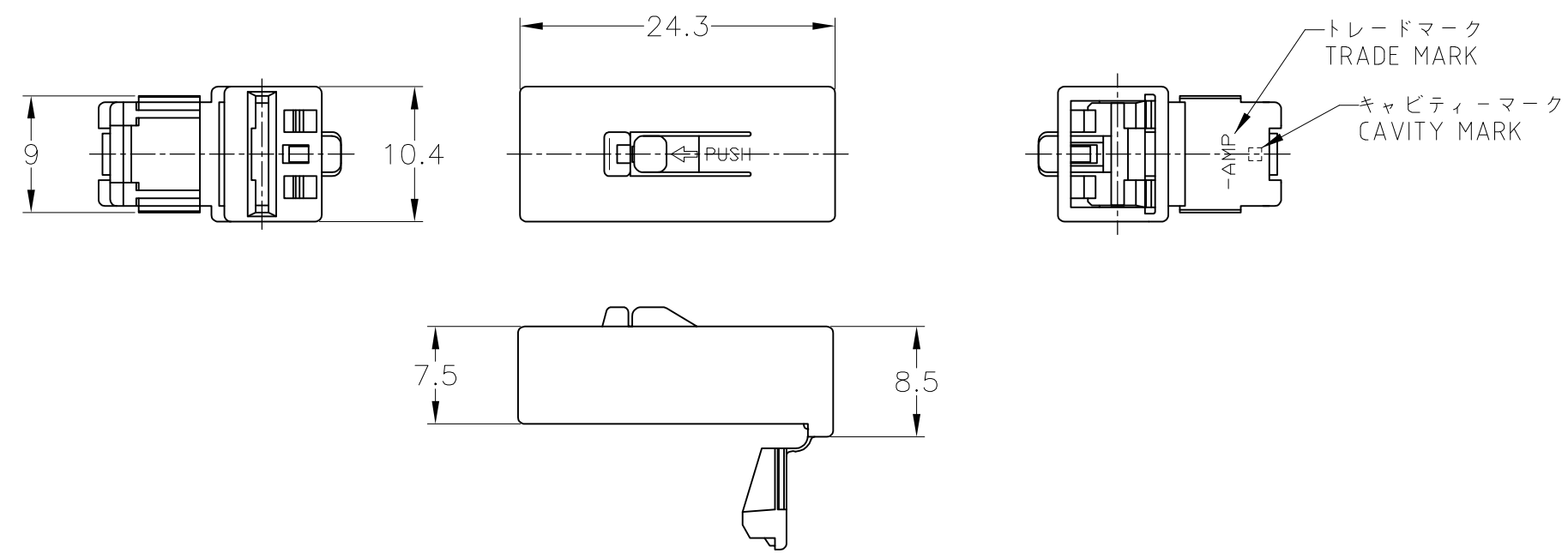
- No affect on product function.
- Validation item list is following.

	Before	After	Criteria
Contact insertion force(N)	5.2(Average)	11.2(Average)	Reference only
Contact retention force (N)	69.5~70.8	117.6~120.4	58.8 MIN
Other item that described on 108-5150	No change.		

Contact to TE representative for further detail , if necessary.

THIS DRAWING IS UNPUBLISHED. RELEASED FOR PUBLICATION  
 © COPYRIGHT - By - ALL RIGHTS RESERVED.

LOC	DIST	REVISIONS					
J	-	P	LTR	DESCRIPTION	DATE	DWN	APVD
			C1	REVISED PER ECO-11-005140	28MAR11	RK	HMR



1. PRODUCT SPEC NO. 108-5150
2. APPLICATION SPEC NO. 114-5060
3. CUSTOMER MANUAL NO. CM154J
4. APPLIDE CONTACT PN 170452, 170454
- △ WORKMANSHIP OF THE TAB HOLE EDGES MUST BE SUCH THAT EDGES MUST BE FREE FROM THE BURRS, WITH THE SHEAR DROOP NOT EXCEEDING 0.1 MILLIMETER
- △ CLEARANCE LINE FOR TAB TO MATE WITH COUNTERPART HOUSING

1. 製品規格番号：108-5150
2. 取付適用規格番号：114-5060
3. 取扱説明書番号：CM-154J
4. 適用コンタクト型番：170452, 170454
- △ タブ穴加工の際、バリがなく穴のダレは0.1を越えないこと
- △ この部分迄ハウジングが挿入されるための必要スペース

茶 / BROWN	174090-3
黒 / BLACK	174090-2
自然色 / NATURAL	174090-1
色 / COLOR	型番 / PART NUMBER

当り時  
 ショルダーを突き当てとする時  
 タブ寸法推奨図  
 RECOMMENDED MATING TAB DESIGN  
 仕上げ：メッキなし又は錫メッキ  
 FINISH: PLAIN OR ELECTRO-TIN  
 材料：7/3黄銅 0.8t JIS-3100C-2600P-1/2H  
 MATERIAL: 70/30 BRASS, t=0.8

一般公差 (GENERAL TOLERANCE)	
10以下	±0.2
10を超え 30以下	±0.25
30を超え 100以下	±0.3
角 度	±3°

THIS DRAWING IS A CONTROLLED DOCUMENT.	
DIMENSIONS: mm	TOLERANCES UNLESS OTHERWISE SPECIFIED:
	0 PLC ±-
	1 PLC ±-
	2 PLC ±-
	3 PLC ±-
	4 PLC ±-
ANGLES ±-	
FINISH	
MATERIAL	66 ナイロン 66 NYLON

DWN T.SHINOHARA 17AUG09	<b>STE</b> TE Connectivity			
CHK K.BETSUI 17AUG09				
APVD K.BETSUI 17AUG09	NAME			
PRODUCT SPEC	250 POSITIVE LOCK 1POS. PLUG HOUSING LOW PRO TYPE CONNECTOR			
APPLICATION SPEC	SIZE	CAGE CODE	DRAWING NO	RESTRICTED TO
WEIGHT -	A3	00779	C-174090	-
CUSTOMER DRAWING		SCALE 2:1	SHEET 1 OF 1	REV C1