

## Power cable - SAC-3P-M12MRS/ 5,0-PVC PE - 1411642

Please be informed that the data shown in this PDF Document is generated from our Online Catalog. Please find the complete data in the user's documentation. Our General Terms of Use for Downloads are valid (<http://phoenixcontact.com/download>)



Power cable, 3-position, PVC, black, Plug angled M12, S-coded, on free cable end, cable length: 5 m, for AC current up to 16 A/230 V

### Your advantages

- ✓ Easy and safe: 100% electrically tested plug-in components
- ✓ High-performance: AC connectors for up to 16 A and 230 V AC
- ✓ Protection against incorrect connection using special S-coding

RoHS

### Key Commercial Data

Packing unit	1 pc
GTIN	
GTIN	4046356937467

### Technical data

#### Dimensions

Length of cable	5 m
-----------------	-----

#### Ambient conditions

Ambient temperature (operation)	-25 °C ... 85 °C (Plug / socket)
Degree of protection	IP67

#### General

Rated current at 40°C	16 A
Rated voltage	230 V AC
	230 V DC
Number of positions	3
Color handle area	black
Insulation resistance	≥ 100 MΩ
Coding	S power

# Power cable - SAC-3P-M12MRS/ 5,0-PVC PE - 1411642

## Technical data

### General

Standards/regulations	M12 connector IEC 61076-2-111
Status display	No
Protective circuit/component	unwired
Overvoltage category	III
Degree of pollution	3
Insertion/withdrawal cycles	> 100
Torque	0.4 Nm (M12 connector)

### Material

Flammability rating according to UL 94	V0
Contact material	CuZn
Contact surface material	Ni/Au
Contact carrier material	PA
Material of grip body	PP
Material, knurls	Zinc die-cast, nickel-plated

### Standards and Regulations

Standard designation	M12 connector
Standards/regulations	IEC 61076-2-111
Flammability rating according to UL 94	V0

### Cable

Cable type	PVC black
Cable type (abbreviation)	PVC
Cable abbreviation	LSYwYw-JZ
UL AWM style	2517 (105 °C / 300 V)
Conductor cross section	3x 1.5 mm <sup>2</sup>
AWG power supply	16
Conductor structure, voltage supply	30x 0.25 mm
Core diameter including insulation	2.4 mm ±0.1 mm
Wire colors	black 1, black 2, green/yellow
Overall twist	3 wires, twisted
External sheath, color	black
External cable diameter D	6.8 mm ±0.2 mm
Minimum bending radius, fixed installation	5 x D
Minimum bending radius, flexible installation	12 x D
Cable weight	80 kg/km
Outer sheath, material	PVC
Material conductor insulation	PVC
Conductor material	Bare Cu litz wires
Insulation resistance	≥ 10 MΩ*km (at 20 °C)
Conductor resistance	≤ 13.3 Ω/km (at 20 °C)

## Power cable - SAC-3P-M12MRS/ 5,0-PVC PE - 1411642

### Technical data

#### Cable

Nominal voltage, cable	300 V AC
Test voltage, cable	2000 V AC
Flame resistance	according to IEC 60332-1
	According to DIN EN 60332-1-2
	According to VW-1
	According to FT1
Ambient temperature (operation)	-40 °C ... 90 °C (cable, fixed installation)
	-5 °C ... 90 °C (cable, flexible installation)

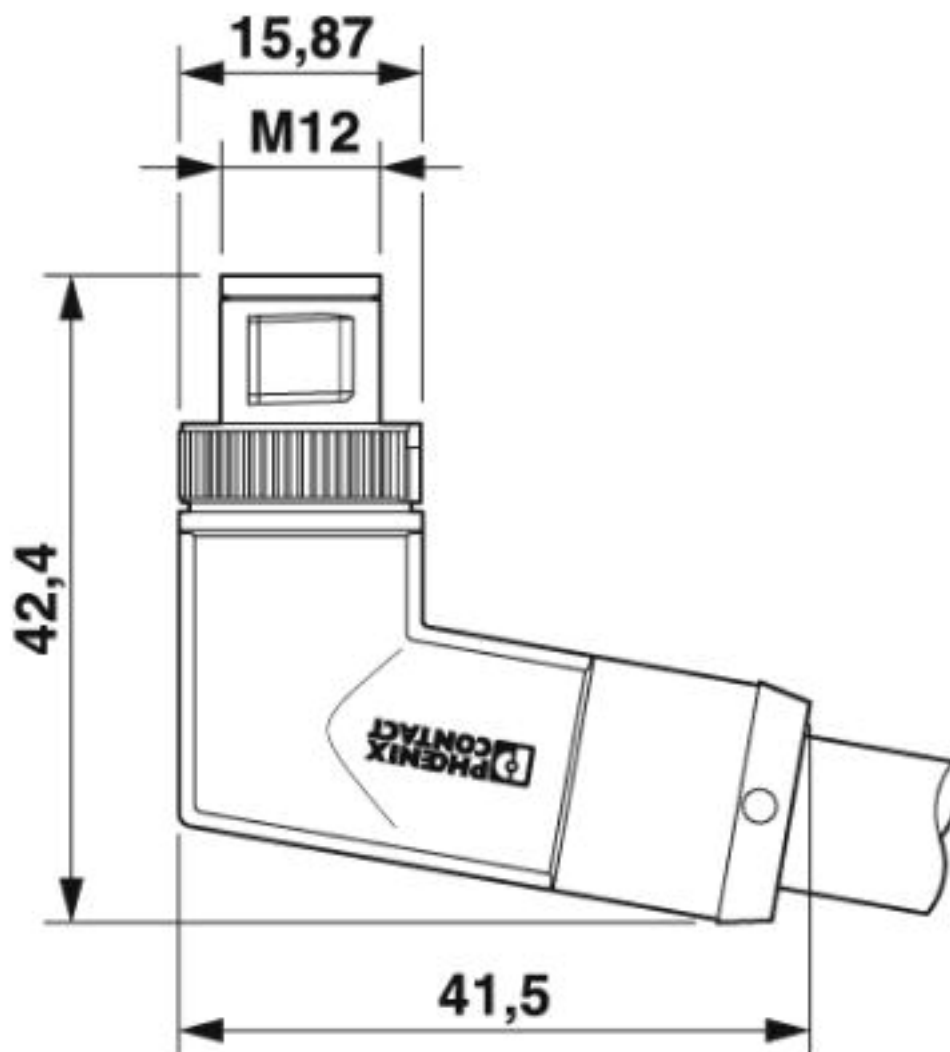
#### Environmental Product Compliance

REACH SVHC	Lead 7439-92-1
China RoHS	Environmentally Friendly Use Period = 50
	For details about hazardous substances go to tab "Downloads", Category "Manufacturer's declaration"

### Drawings

# Power cable - SAC-3P-M12MRS/ 5,0-PVC PE - 1411642

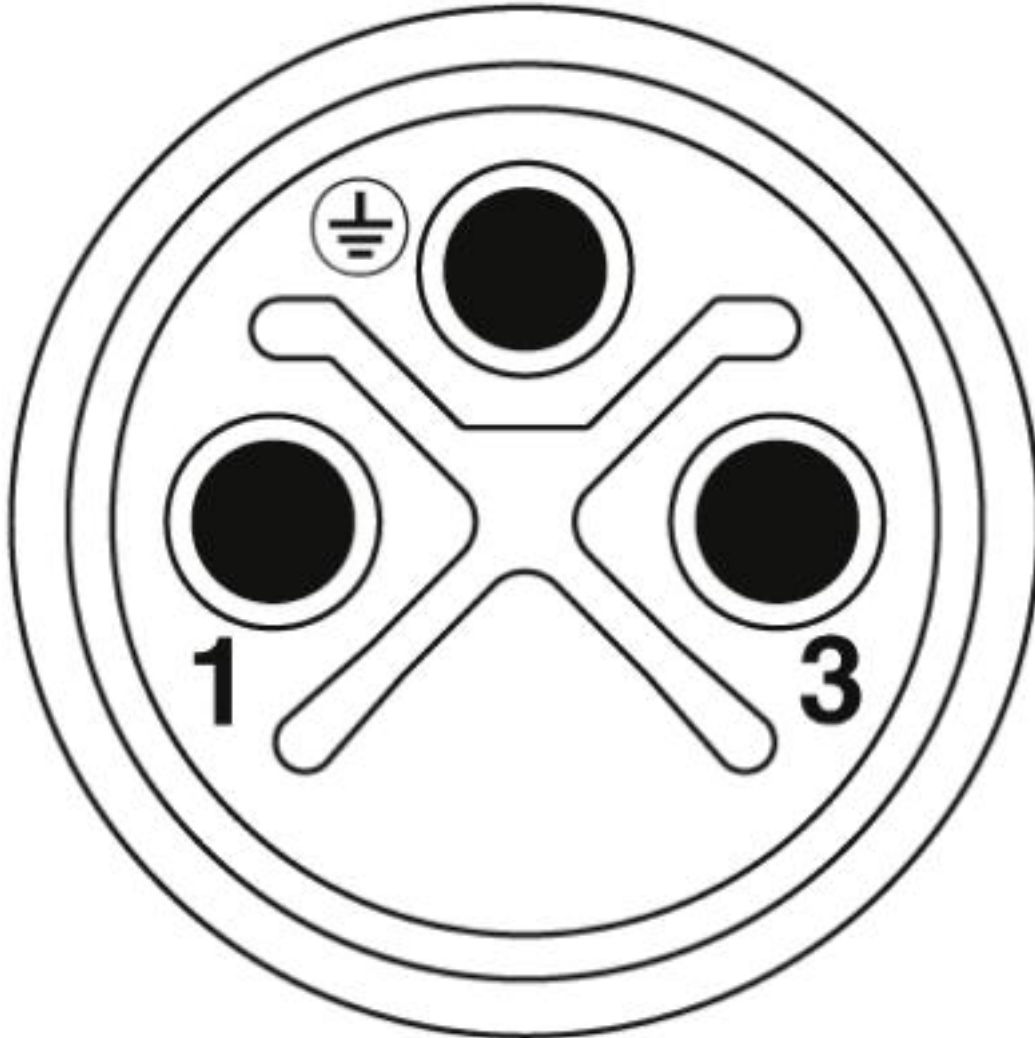
Dimensional drawing



M12 x 1 male plug, angled

## Power cable - SAC-3P-M12MRS/ 5,0-PVC PE - 1411642

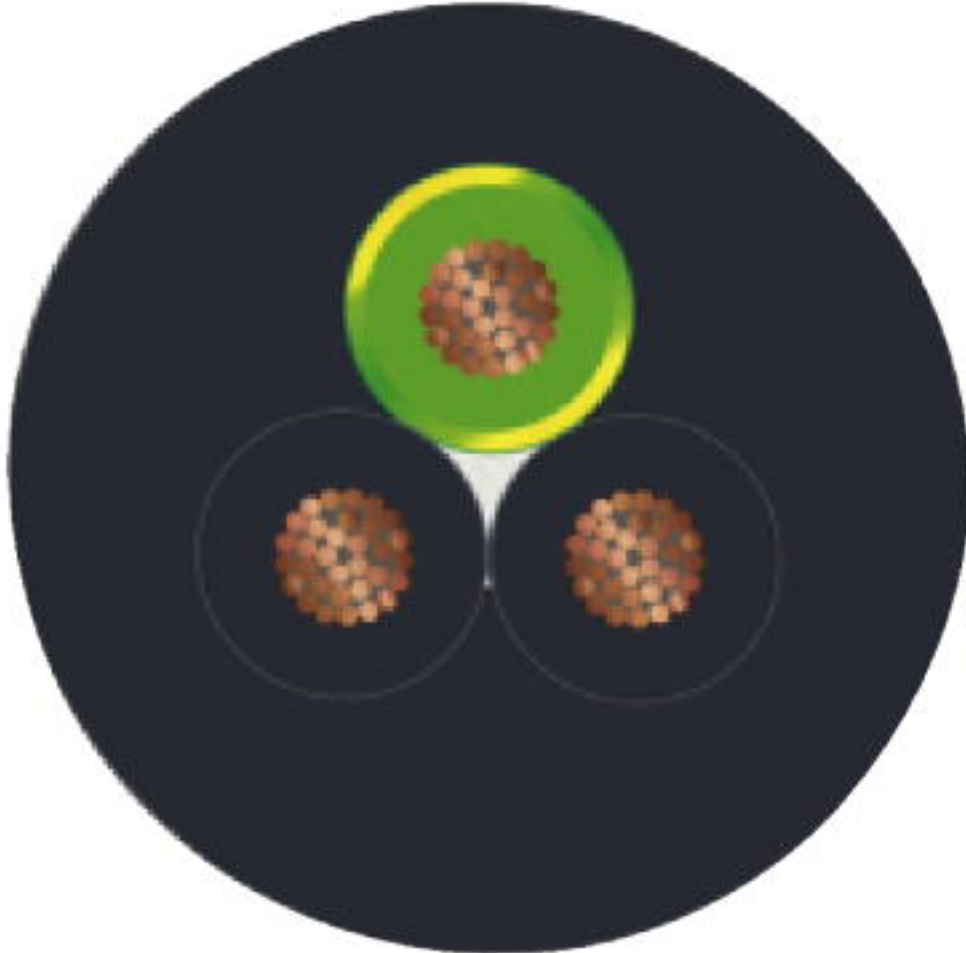
Schematic diagram



Pin assignment of M12 plug, 3-pos., S-coded, view of pin side

# Power cable - SAC-3P-M12MRS/ 5,0-PVC PE - 1411642

Cable cross section



PVC black [PVC]

## Approvals

Approvals

---

Approvals

UL Listed / cUL Listed / EAC / cULus Listed

---

Ex Approvals

---

Approval details

# Power cable - SAC-3P-M12MRS/ 5,0-PVC PE - 1411642

## Approvals

UL Listed		<a href="http://database.ul.com/cgi-bin/XYV/template/LISEXT/1FRAME/index.htm">http://database.ul.com/cgi-bin/XYV/template/LISEXT/1FRAME/index.htm</a>	FILE E 468743
Nominal voltage UN	300 V		
Nominal current IN	12 A		
mm <sup>2</sup> /AWG/kcmil	16		

cUL Listed		<a href="http://database.ul.com/cgi-bin/XYV/template/LISEXT/1FRAME/index.htm">http://database.ul.com/cgi-bin/XYV/template/LISEXT/1FRAME/index.htm</a>	FILE E 468743
Nominal voltage UN	300 V		
Nominal current IN	12 A		
mm <sup>2</sup> /AWG/kcmil	16		

EAC		RU C- DE.BL08.B.00286
-----	--	--------------------------

cULus Listed	
--------------	--

Phoenix Contact 2019 © - all rights reserved  
<http://www.phoenixcontact.com>

PHOENIX CONTACT GmbH & Co. KG  
Flachsmarktstr. 8  
32825 Blomberg  
Germany  
Tel. +49 5235 300  
Fax +49 5235 3 41200  
<http://www.phoenixcontact.com>