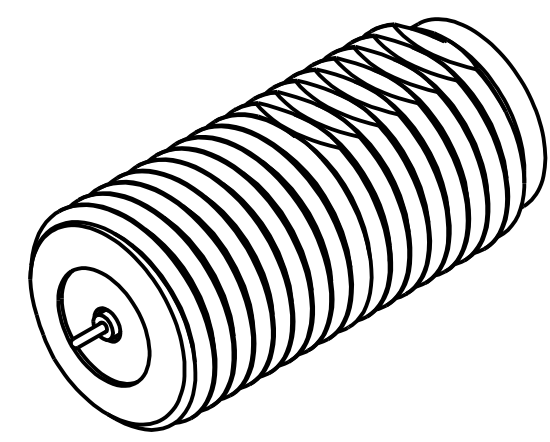
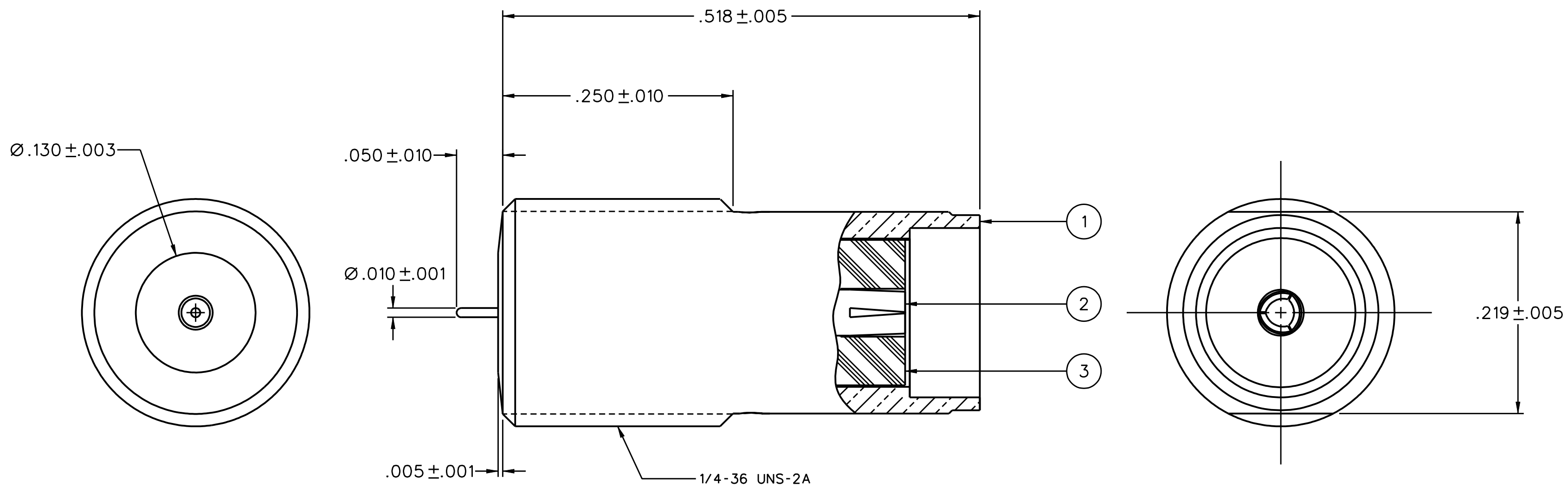


PART NUMBER	ITEM ① BODY	ITEM ② CONTACT	ITEM ③ INSULATOR
141-1731-062	STAINLESS STEEL PASSIVATED	BERYLLIUM COPPER GOLD PL .00005 MIN OVER NICKEL PL .00005 MIN OVER COPPER PL .00005 MIN	TEFLON

DRAWING NO.	
C - 141-1731-061/070	
0	REVISIONS
ENGINEERING RELEASE	
1	11-10-08 P A T J B M J J S 11-11-08 ECN 51718
VERSION UPDATE	
2	3-27-09 P A T J B M J J S 3-37-09 ECN 51889



5:1



NOTES:


1. SPECIFICATIONS:
- IMPEDANCE: 50 OHMS
 - FREQUENCY RANGE: 0-18 GHz
 - VSWR: REF (DEPENDANT ON APPLICATION)
 - WORKING VOLTAGE: 170 VRMS MAX AT SEA LEVEL
 - DIELECTRIC WITHSTANDING VOLTAGE: 500 VRMS MIN AT SEA LEVEL
 - INSULATION RESISTANCE: 1000 MEGOHM MIN
 - CONTACT RESISTANCE:
 - CENTER CONTACT - INITIAL 3 MILLIOHM MAX, AFTER ENVIRONMENTAL 4 MILLIOHM MAX
 - OUTER CONDUCTOR - INITIAL 2 MILLIOHM MAX AFTER ENVIRONMENTAL NOT APPLICABLE
 - CORONA LEVEL: 125 VOLTS MIN AT 70,000 FEET
 - INSERTION LOSS: NOT APPLICABLE (DEPENDANT UPON APPLICATION)
 - RF LEAKAGE: NOT APPLICABLE
 - RF HIGH POTENTIAL WITHSTANDING VOLTAGE: 335 VRMS MIN AT 4 AND 7 MHZ
- MECHANICAL:
- ENGAGE/DISENGAGE TORQUE: 2 INCH-POUNDS MAX
 - MATING TORQUE: 7-10 INCH POUNDS WHEN BODY SUPPORTED WITH WRENCH
*8 INCH POUNDS MAX UNSUPPORTED
 - CONTACT RETENTION: 6 LBS MIN AXIAL FORCE ON MATING END
4 IN-OZ MIN RADIAL TORQUE
- DURABILITY: 500 CYCLES MIN
- ENVIRONMENTAL:
- (MEETS OR EXCEEDS THE APPLICABLE PARAGRAPH OF MIL-PRF-39012)
- THERMAL SHOCK: MIL-STD-202, METHOD 107, CONDITION B, EXCEPT 115 DEG C HIGH TEMP
 - OPERATING TEMPERATURE: -65 DEG C TO 165 DEG C
 - CORROSION: MIL-STD-202, METHOD 101, CONDITION B
 - SHOCK: MIL-STD-202, METHOD 213, CONDITION I
 - VIBRATION: MIL-STD-202, METHOD 204, CONDITION D
 - MOISTURE RESISTANCE: MIL-STD-202, METHOD 106

CUSTOMER DRAWING

THIS DRAWING TO BE INTERPRETED PER ASME Y 14.5M - 1994

"μSTATION"

COMPANY CONFIDENTIAL

TOLERANCE UNLESS OTHERWISE SPECIFIED		DRAWN BY	DATE	 cinch <small>CONNECTIVITY SOLUTIONS</small> <small>a bel group</small>	P.O. Box 1732 Waseca, MN 56093 1-800-247-8256
DECIMALS	mm	MMC	11/04/2008		
.XX	_____	CHECKED BY	DATE	TITLE	
.XXX	_____	TJS	11-11-08		
MATL	_____	APPROVED BY	DATE	JACK ASSEMBLY, SMA THREAD MOUNT, 10 MIL PIN	
FINISH	_____	RJB	11-11-08		
		RELEASE DATE	11-11-08	SHEET	DRAWING NO.
		U/M	INCH	2 OF 2	C - 141-1731-061/070
		SCALE	10:1		