

M 104TL2-10 SERIES CHART 1

DRAWING NUMBER 3

REVISIONS
A PR15512 WJK APR 87
B 204721 GJW 17 JAN 02

DRAWN WJK APR 87
CHECK MATA 2 APR 87
CHECK MATA 2 APR 87

RASTER FO-5285 1-A

MICRO SWITCH
FREEPORT ILLINOIS U.S.A.
A DIVISION OF HONEYWELL
FED. MFG. CODE 91929

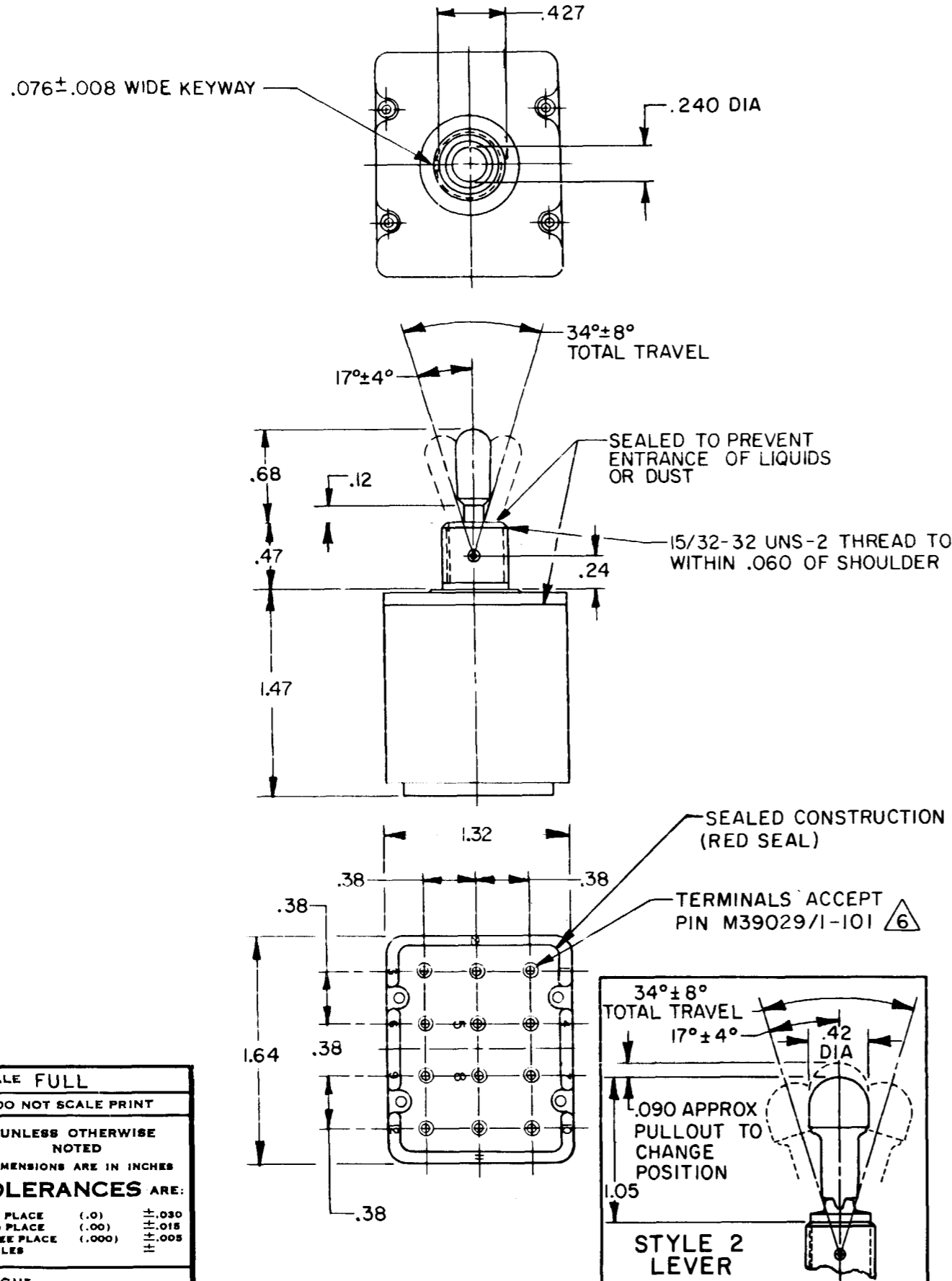
SWITCH-TOGGLE

CATALOG LISTING
104TL2-10 SERIES

CHART 1

THIS DRAWING COVERS A PROPRIETARY ITEM AND IS THE PROPERTY OF MICRO SWITCH, A DIVISION OF HONEYWELL. THIS DRAWING IS NOT TO BE COPIED OR USED WITHOUT THE APPROVAL OF MICRO SWITCH.

THIS DRAWING COVERS A PROPRIETARY ITEM AND IS THE PROPERTY OF MICRO SWITCH, A DIVISION OF HONEYWELL. THIS DRAWING IS NOT TO BE COPIED OR USED WITHOUT THE APPROVAL OF MICRO SWITCH.



SCALE FULL
DO NOT SCALE PRINT
UNLESS OTHERWISE NOTED
DIMENSIONS ARE IN INCHES

TOLERANCES ARE:

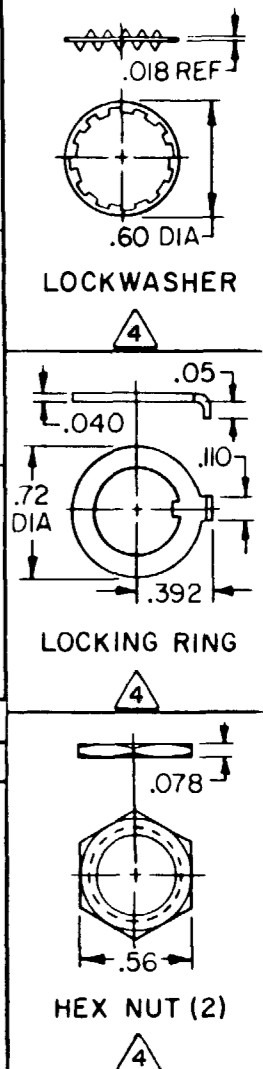
ONE PLACE	(.0)	±.030
TWO PLACE	(.00)	±.015
THREE PLACE	(.000)	±.005

WEIGHT

CATALOG LISTING	AVAILABLE LOCKING COMBINATIONS FOR CONFIGURATION SEE LETTERING DETAILS	STYLE NUMBER	CURRENT CAPACITY (AMPS)								
			RESISTIVE DC VOLTS			LOAD AC VOLTS		LAMP LOAD		INDUCTIVE LOAD	
			30	115	250	115	230	30 VDC	115 VAC	30 VDC	115 VAC
104TL2-10	NONE	1	7.5	.75	.5	7.5	6	5	4	7.5	7.5
104TL2-10/7	A,B,D,E,F,G,H,J,K,L,M,N,P	2									

LOCKING POSITION	"A"	"B"	"D"	"E"	"F"
LOCKED IN THREE POSITIONS					
LOCKED IN CENTER AND EXTREME POSITION (KEYWAY SIDE)					
LOCKED OUT OF CENTER POSITION					
LOCKED IN CENTER POSITION					
LOCKED IN EXTREME POSITION (OPPOSITE KEYWAY)					
LOCKING POSITION	"G"	"H"	"J"	"K"	"L"
LOCKED IN EXTREME POSITION (KEYWAY SIDE)					
LOCKED OUT OF CENTER AND EXTREME POSITION (KEYWAY SIDE)					
LOCKED OUT OF CENTER AND EXTREME POSITION (OPPOSITE KEYWAY)					
LOCKED IN CENTER AND EXTREME POSITION (OPPOSITE KEYWAY)					
LOCKED OUT OF EXTREME POSITION (KEYWAY SIDE)					
LOCKING POSITION	"M"	"N"	"P"		
LOCKED OUT OF AND INTO EXTREME POSITION (OPPOSITE KEYWAY)					
LOCKED OUT OF EXTREME POSITION (OPPOSITE KEYWAY)					
LOCKED OUT OF AND INTO EXTREME POSITION (KEYWAY SIDE)					

CIRCUIT MADE WITH TOGGLE LEVER IN		
KEYWAY SIDE	CENTER	OPPOSITE KEYWAY
MAINTAINED POSITION	MAINTAINED POSITION	MAINTAINED POSITION



- NOTES**
- SWITCHES ARE CAPABLE OF WITHSTANDING A TEMPERATURE OF 160°F CONTINUOUSLY AT FULL RATED LOAD
 - CIRCUIT DESIGNATION AND MICRO SWITCH CATALOG LISTING STAMPED ON SIDES OF SWITCH
 - UNUSED TERMINAL HOLES MAY BE SEALED WITH PLUGS M82723/28-20
 - FURNISHED UNASSEMBLED
 - THESE UNITS ARE QUALIFIED UNDER MIL-S-3950
 - THE SEALING GROMMET SHALL SEAL ON A SMOOTH WIRE
 - INSULATION OF .040 TO .083 DIA (16-20 GAGE)
 - SUFFIX LETTER MUST BE ADDED FOR DESIRED TYPE OF TOGGLE LOCKING. SEE CHART FOR AVAILABLE LOCKING COMBINATIONS
 - KEYWAY SHOWN ON LEFT SIDE