

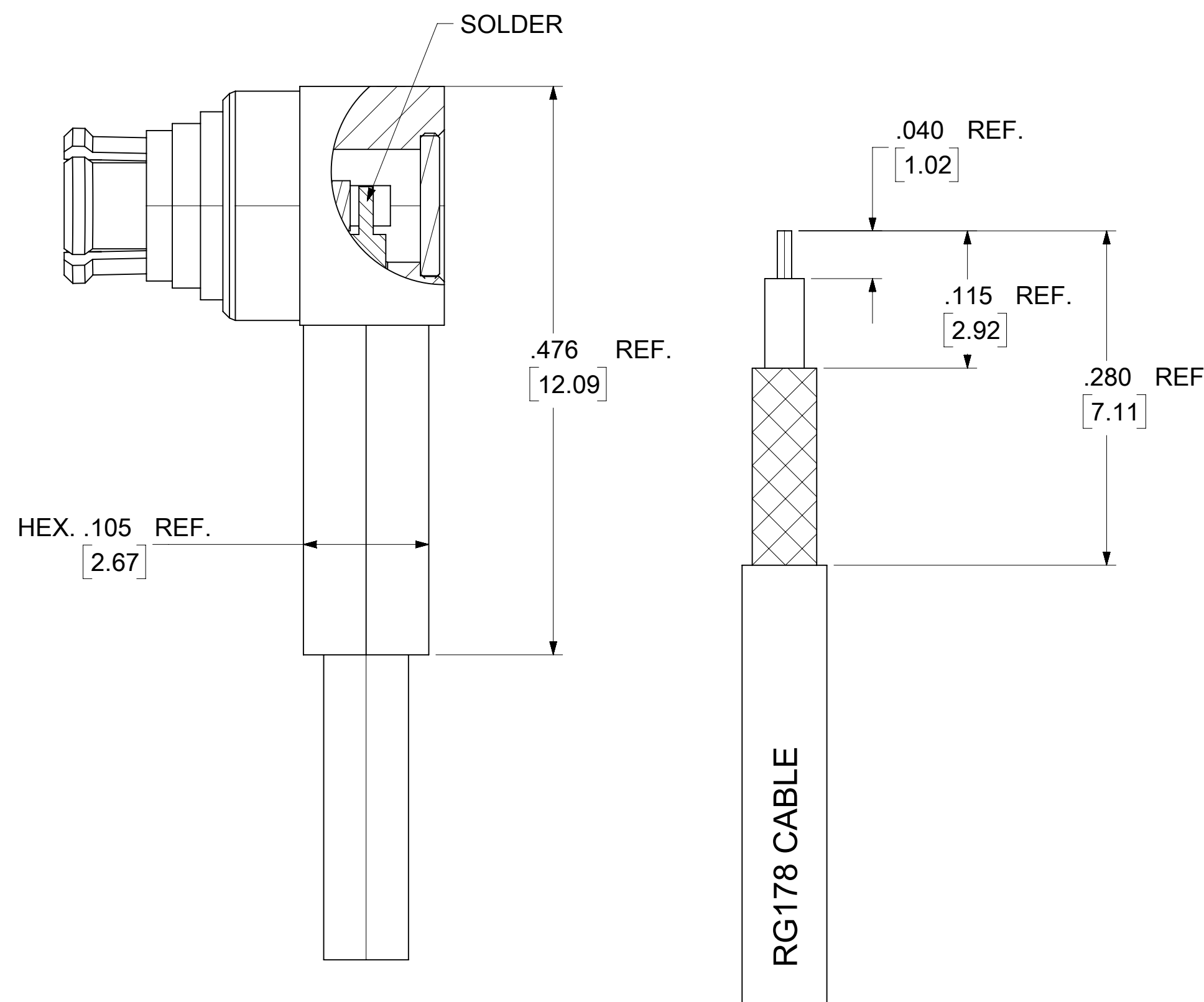
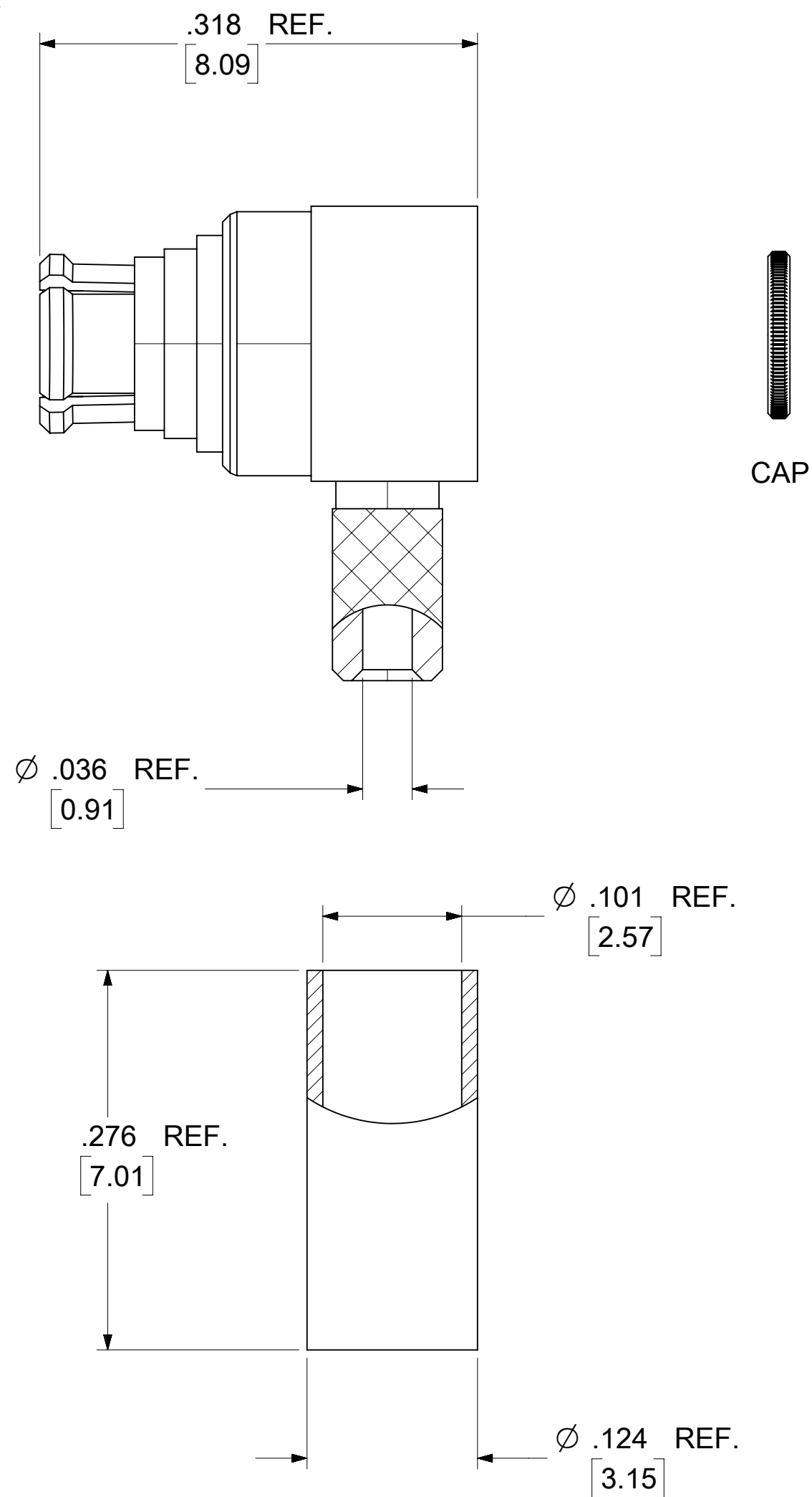
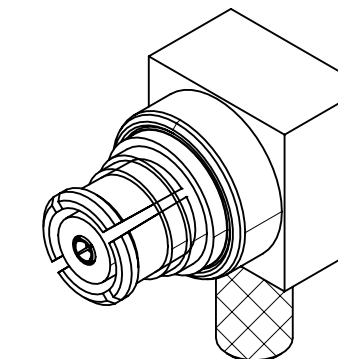
MATERIALS AND FINISHES

BODY, CRIMP TUBE, EMI RING: BRASS
PLATED GOLD

OUTER CONTACT: BERYLLIUM COPPER
PLATED GOLD

CENTER CONTACT: BERYLLIUM COPPER
PLATED GOLD

INSULATOR: TEFLON



LABEL FORMAT FOR
73406-6051

PART NUMBER: 73406-6050
ORDER NUMBER: 73406-6051
MOLEX
DATE: YYWW

73406-6051	73406-6050 ONE PER BAG	895420470
73406-6050	73406-0240 TRAY	895420040
PART NO.	DESCRIPTION	PACKING SPEC

MIL-STD-348A, FIG. 326.1	INTERFACE
SPECIFICATION	DESCRIPTION

DOCUMENT STATUS	P1	RELEASE DATE	2022/08/30	02:55:04
-----------------	----	--------------	------------	----------

FUNCTIONAL SYMBOLS	THIS DRAWING CONTAINS INFORMATION THAT IS PROPRIETARY TO MOLEX ELECTRONIC TECHNOLOGIES, LLC AND SHOULD NOT BE USED WITHOUT WRITTEN PERMISSION												
FA = 0	DIMENSION UNITS	SCALE	CURRENT REV DESC: ADD 73406-6051 PER EWR# 15321-C							molex			
EA = 0	INCH/MM	NTS	GENERAL TOLERANCES (UNLESS SPECIFIED)										
EP = 0	ANGULAR TOL ± 2.0°		EC NO: 718723				2022/08/18		SMP JACK RIGHT ANGLE FOR RG178 CABLE SMP-JC, EWR-3774				
DIVISIONAL SYMBOLS	4 PLACES ±		DRWN: ELIN				2022/08/30		PRODUCT CUSTOMER DRAWING				
	3 PLACES ±		CHK'D: YCHENG				2022/08/30		DOCUMENT NUMBER				
	2 PLACES ±		APPR: YCHENG				2022/08/30		DOC TYPE DOC PART REVISION				
	1 PLACE ±		INITIAL REVISION:				2008/10/15		SD-73406-605				
0 PLACES ±		DRWN: AROBERTSON				2008/10/15		PSD 001 A1					
DRAFT WHERE APPLICABLE MUST REMAIN WITHIN DIMENSIONS		THIRD ANGLE PROJECTION		DRAWING		SERIES		MATERIAL NUMBER		CUSTOMER		SHEET NUMBER	
		C-SIZE		73406		SEE TABLE		GENERAL MARKET		1 OF 1			