

RECOMMENDED CONNECTOR MOUNTING HOLE PATTERN

NOTES:

1. MATERIAL:

HOUSING : PPS, COLOR: BROWN
 TERMINAL: PHOSPHOR BRONZE

△ 2. FINISH 0 - GOLD FLASH IN CONTACT AREA, 1.52um/60uin MIN. TIN IN SOLDER TAIL, BOTH OVER 0.76um/30uin MIN. NICKEL OVERALL.

1 - 0.25um/10uin MIN. GOLD IN CONTACT AREA, 1.52um/60uin MIN. TIN IN SOLDER TAIL, BOTH OVER 0.76um/30uin MIN. NICKEL OVERALL.

2 - 0.76um/30uin MIN. GOLD IN CONTACT AREA, 1.52um/60uin MIN. TIN IN SOLDER TAIL, BOTH OVER 0.76um/30uin MIN. NICKEL OVERALL.

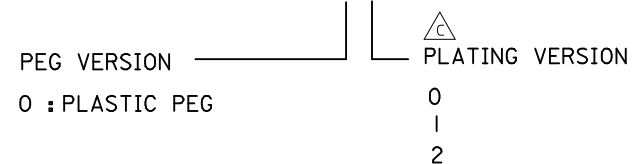
3. PRODUCT SPECIFICATION : PER TO PS-48200-002

4. TEST SUMMARY : PER TS-48200-002

5. PACKAGE SPECIFICATION : PER PK-48200-002

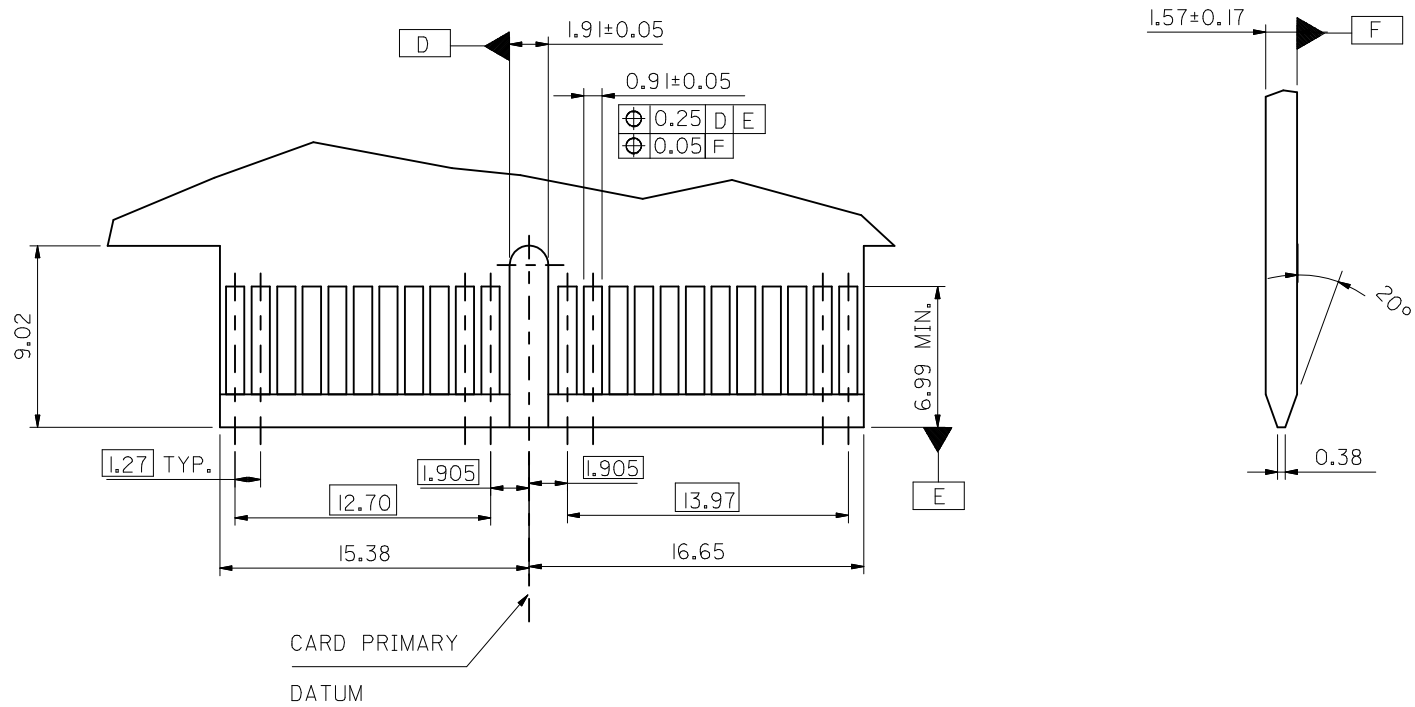
6. LEAD FREE AND ROHS COMPLIANCE PRODUCT

PART NO. LEGEND : 48200-23**



EWR 2006-0035 EC NO: SH2006-0520 DRW: ALL IN 2006/06/26 CHKD: 2006/06/27 APPR: WWSCHANG 2006/06/30	QUALITY SYMBOLS	GENERAL TOLERANCES (UNLESS SPECIFIED)	DIMENSION STYLE	SCALE	DESIGN UNITS	THIRD ANGLE PROJECTION	
	▽=0 C=0	mm INCH	MM ONLY	1:1	METRIC		
		4 PLACES ± --- ± --- 3 PLACES ± --- ± --- 2 PLACES ± 0.25 ± --- 1 PLACE ± 0.25 ± ---	DRAWN BY DATE TOM 2005/02/04	CHECKED BY DATE ALL IN 2005/02/04	TITLE ASS'Y 1.27MM EDGE CARD CONNECTOR (46 CKTS) (LEAD-FREE VERSION)		
		ANGULAR ± 3 °	APPROVED BY DATE WWSCHANG 2005/02/04	MATERIAL NO.	MOLEX INCORPORATED		
	DRAFT WHERE APPLICABLE MUST REMAIN WITHIN DIMENSIONS	SEE TABLE	DOCUMENT NO. SD-48200-002		SHEET NO. 1 OF 2		
			THIS DRAWING CONTAINS INFORMATION THAT IS PROPRIETARY TO MOLEX INCORPORATED AND SHOULD NOT BE USED WITHOUT WRITTEN PERMISSION				

10 9 8 7 6 5 4 3 2 1



RECOMMENDED MATING P.C.BOARD EDGE CONFIGURATION

SEE SHEET 1 EC NO: SH2006-0520 DRW:ALL IN 2006/06/26 CHKD: 2006/06/27 APPR:WWSCHANG 2006/06/30	DESCRIPTION REV	QUALITY SYMBOLS	GENERAL TOLERANCES (UNLESS SPECIFIED)	DIMENSION STYLE	SCALE	DESIGN UNITS	THIRD ANGLE PROJECTION	
		$\nabla=0$ $\text{C}\text{E}=0$	mm INCH 4 PLACES ± --- ± --- 3 PLACES ± --- ± --- 2 PLACES ± 0.25 ± --- 1 PLACE ± 0.25 ± --- ANGULAR ± 3°	MM ONLY	1:1	METRIC	DRAWN BY: TOM DATE: 2005/02/04 CHECKED BY: ALL IN DATE: 2005/02/04 APPROVED BY: WWSCHANG DATE: 2005/02/04 MATERIAL NO.	TITLE: ASS'Y 1.27MM EDGE CARD CONNECTOR (46 CKTS) (LEAD-FREE VERSION) MOLEX INCORPORATED DOCUMENT NO. SD-48200-002 SHEET NO. 2 OF 2
		DRAFT WHERE APPLICABLE MUST REMAIN WITHIN DIMENSIONS	SEE TABLE	SIZE A3	THIS DRAWING CONTAINS INFORMATION THAT IS PROPRIETARY TO MOLEX INCORPORATED AND SHOULD NOT BE USED WITHOUT WRITTEN PERMISSION			

9 8 7 6 5 4 3 2 1