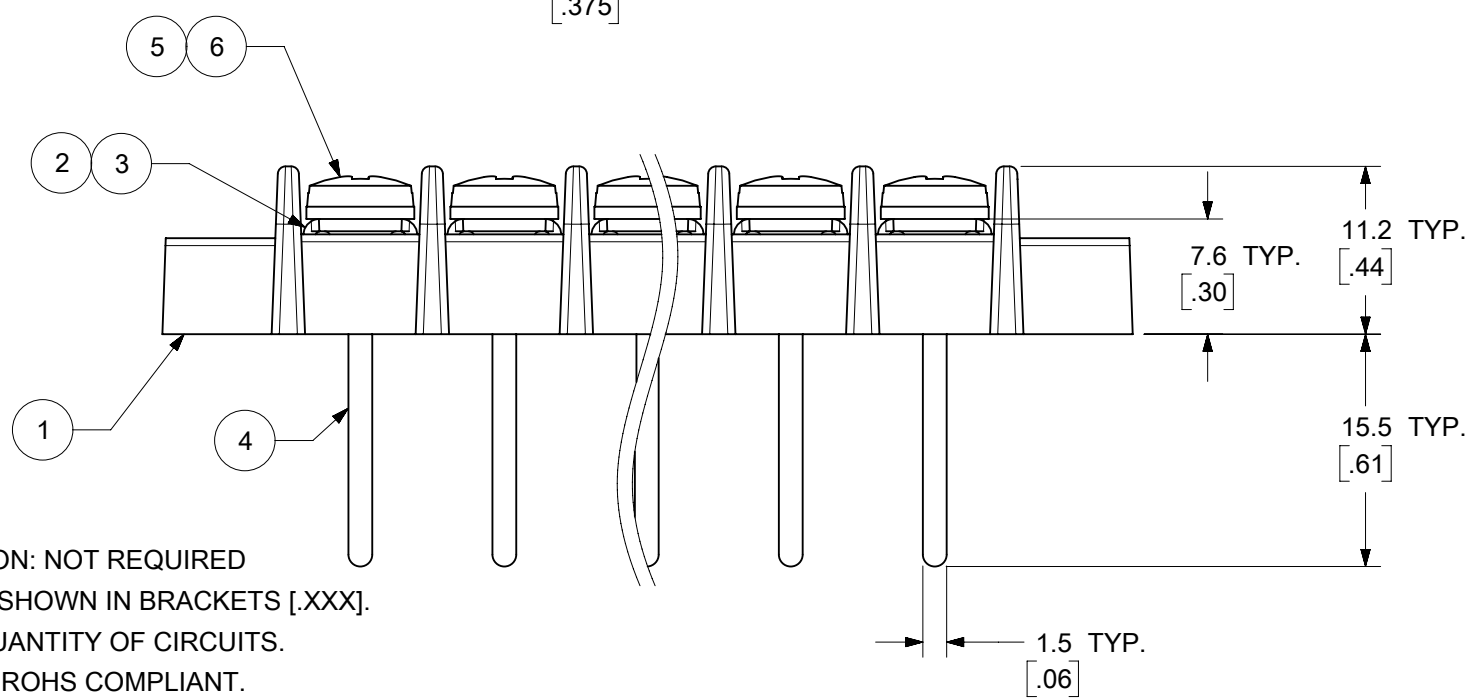
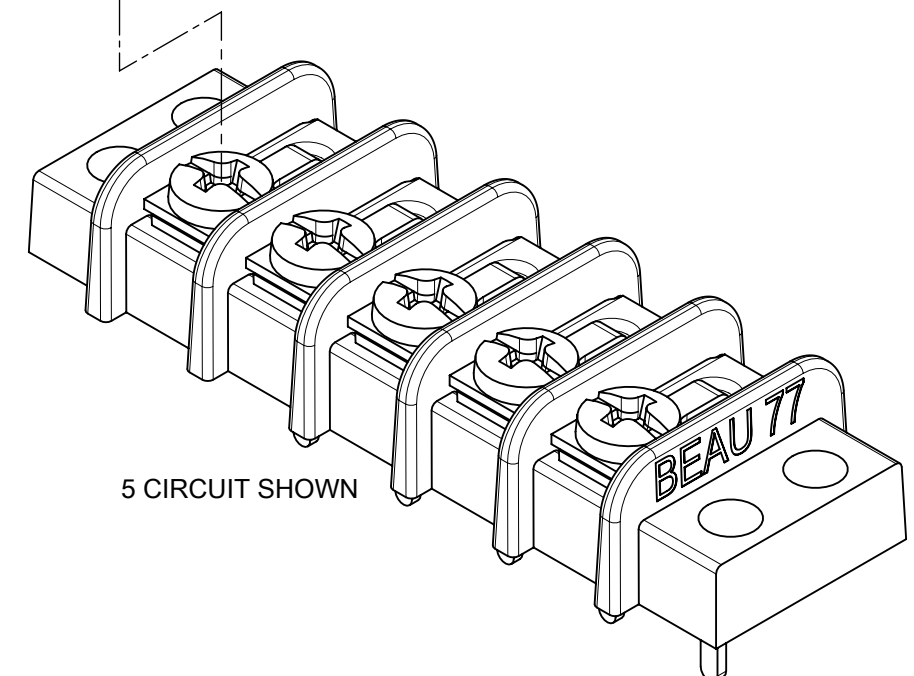
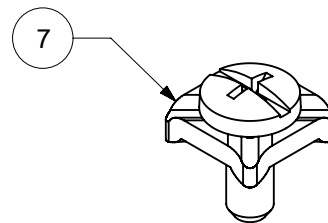
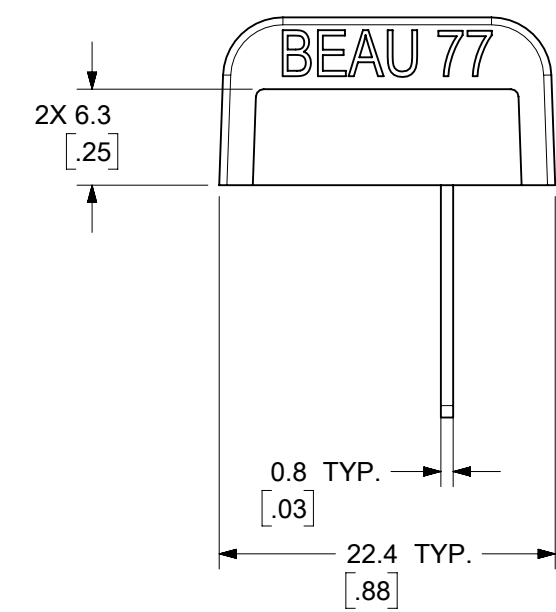


REF -50 OPTION SCREW
(WHERE APPLICABLE)



NOTES:

1. MATERIAL: SEE TABLE
2. FINISHES: SEE TABLE
3. PRODUCT SPECIFICATION: NOT REQUIRED
4. INCH DIMENSIONS ARE SHOWN IN BRACKETS [.XXX].
5. "XX" REFERS TO THE QUANTITY OF CIRCUITS.
6. ALL COMPONENTS ARE ROHS COMPLIANT.



| TOLERANCES | | | |
|------------|-------|-----------|-------|
| MM | TOL | INCH | TOL |
| 0-6 | ±0.25 | 0-.24 | ±.010 |
| >6-30 | ±0.40 | .24-1.18 | ±.016 |
| >30-120 | ±0.50 | 1.18-4.76 | ±.020 |
| >120 | ±0.80 | >4.76 | ±.031 |

| ITEM | QTY | DESCRIPTION | MATERIAL | FINISH |
|------|-----|---|---------------|--------------------|
| 7 | XX | SCREW, #6-32X.250 PAN HD, PHIL-SLOT W/WSHR (-50 OPTION) | STEEL | ZN, CLEAR CHROMATE |
| 6 | XX | SCREW, #6-32X.250 BGHD, PHIL-SLOT (-49 OPTION) | BRASS | NICKEL PLATE |
| 5 | XX | SCREW, #6-32X.250, BGHD PHIL-SLOT (STANDARD) | STEEL | ZN, CLEAR CHROMATE |
| 4 | XX | TERMINAL, WIRE TAP Y | BRASS | TIN PLATE |
| 3 | XX | TERMINAL PLATE (-49 OPTION) | BRASS | TIN PLATE |
| 2 | XX | TERMINAL PLATE | BRASS | NICKEL PLATE |
| 1 | 1 | INSULATOR | THERMOPLASTIC | BLACK |

THIS DRAWING CONTAINS INFORMATION THAT IS PROPRIETARY TO MOLEX ELECTRONIC TECHNOLOGIES, LLC AND SHOULD NOT BE USED WITHOUT WRITTEN PERMISSION

FUNCTIONAL SYMBOLS: $\nabla_A = 0$, $\nabla_E = 0$, $\nabla_S = 0$

DIMENSION UNITS: MM/INCH

SCALE: 2:1

GENERAL TOLERANCES (UNLESS SPECIFIED):

| | MM | INCH |
|----------|-------|--------|
| 4 PLACES | ± .15 | ± .006 |
| 3 PLACES | ± .20 | ± .008 |
| 2 PLACES | ± .30 | ± .012 |
| 1 PLACE | ± .40 | ± .016 |
| 0 PLACES | ± .50 | ± .020 |

ANGULAR TOL: ± .5

DRAFT WHERE APPLICABLE MUST REMAIN WITHIN DIMENSIONS

THIRD ANGLE PROJECTION

DRAWING: B-SIZE

SERIES: 38770

EC NO: 642242

DRWN: ABENJAMINLW

CHK'D: MBRZOZOWSKI

APPR: JFMURPHY

INITIAL REVISION:

DRWN: AHIDALGO

APPR: RDEROSS

2020/04/30

2020/05/13

2020/08/11

2006/05/11

2006/05/11

moLEX

9.53MM [.375] DOUBLE ROW LOW PROFILE BTS ASSY

PRODUCT CUSTOMER DRAWING

DOCUMENT NUMBER: SD-38770-003

DOC TYPE: PSD

DOC PART: 001

REVISION: A1



MATERIAL NUMBER: SEE CHART

CUSTOMER: GENERAL MARKET

SHEET NUMBER: 1 OF 2

| NO. OF CIRCUITS "XX" | DIM. "A" | | DIM. "B" | | DIM. "C" | | DIM. "D" | | ASSEMBLY MATERIAL NO. (STANDARD) | ASSEMBLY MATERIAL NO. (-49 OPTION) | ASSEMBLY MATERIAL NO. (-50 OPTION) |
|----------------------------|----------|---------|----------|----------|----------|---------|----------|---------|--|--|--|
| | mm | INCH | mm | INCH | mm | INCH | mm | INCH | | | |
| 2 | 35.7 | [1.41] | 9.53 | [.375] | 28.6 | [1.13] | 21.3 | [.84] | 387701902 | 387702002 | 387703102 |
| 3 | 45.2 | [1.78] | 19.05 | [.750] | 38.1 | [1.50] | 30.8 | [1.21] | 387701903 | 387702003 | 387703103 |
| 4 | 54.7 | [2.16] | 28.58 | [1.125] | 47.6 | [1.88] | 40.3 | [1.59] | 387701904 | 387702004 | 387703104 |
| 5 | 64.3 | [2.53] | 38.10 | [1.500] | 57.2 | [2.25] | 49.8 | [1.96] | 387701905 | 387702005 | 387703105 |
| 6 | 73.8 | [2.91] | 47.63 | [1.875] | 66.7 | [2.63] | 59.4 | [2.34] | 387701906 | 387702006 | 387703106 |
| 7 | 83.3 | [3.28] | 57.15 | [2.250] | 76.2 | [3.00] | 68.9 | [2.71] | 387701907 | 387702007 | 387703107 |
| 8 | 92.8 | [3.66] | 66.68 | [2.625] | 85.7 | [3.38] | 78.4 | [3.09] | 387701908 | 387702008 | 387703108 |
| 9 | 102.4 | [4.03] | 76.20 | [3.000] | 95.3 | [3.75] | 87.9 | [3.46] | 387701909 | 387702009 | 387703109 |
| 10 | 111.9 | [4.41] | 85.73 | [3.375] | 104.8 | [4.13] | 97.5 | [3.84] | 387701910 | 387702010 | 387703110 |
| 11 | 121.4 | [4.78] | 95.25 | [3.750] | 114.3 | [4.50] | 107.0 | [4.21] | 387701911 | 387702011 | 387703111 |
| 12 | 130.9 | [5.16] | 104.78 | [4.125] | 123.8 | [4.88] | 116.5 | [4.59] | 387701912 | 387702012 | 387703112 |
| 13 | 140.5 | [5.53] | 114.30 | [4.500] | 133.4 | [5.25] | 126.0 | [4.96] | 387701913 | 387702013 | 387703113 |
| 14 | 150.0 | [5.91] | 123.83 | [4.875] | 142.9 | [5.63] | 135.6 | [5.34] | 387701914 | 387702014 | 387703114 |
| 15 | 159.5 | [6.28] | 133.35 | [5.250] | 152.4 | [6.00] | 145.1 | [5.71] | 387701915 | 387702015 | 387703115 |
| 16 | 169.0 | [6.66] | 142.88 | [5.625] | 161.9 | [6.38] | 154.6 | [6.09] | 387701916 | 387702016 | 387703116 |
| 17 | 178.6 | [7.03] | 152.40 | [6.000] | 171.5 | [6.75] | 164.1 | [6.46] | 387701917 | 387702017 | 387703117 |
| 18 | 188.1 | [7.41] | 161.93 | [6.375] | 181.0 | [7.13] | 173.7 | [6.84] | 387701918 | 387702018 | 387703118 |
| 19 | 197.6 | [7.78] | 171.45 | [6.750] | 190.5 | [7.50] | 183.2 | [7.21] | 387701919 | 387702019 | 387703119 |
| 20 | 207.1 | [8.16] | 180.98 | [7.125] | 200.0 | [7.88] | 192.7 | [7.59] | 387701920 | 387702020 | 387703120 |
| 21 | 216.7 | [8.53] | 190.50 | [7.500] | 209.6 | [8.25] | 202.2 | [7.96] | 387701921 | 387702021 | 387703121 |
| 22 | 226.2 | [8.91] | 200.03 | [7.875] | 219.1 | [8.63] | 211.8 | [8.34] | 387701922 | 387702022 | 387703122 |
| 23 | 235.7 | [9.28] | 209.55 | [8.250] | 228.6 | [9.00] | 221.3 | [8.71] | 387701923 | 387702023 | 387703123 |
| 24 | 245.2 | [9.66] | 219.08 | [8.625] | 238.1 | [9.38] | 230.8 | [9.09] | 387701924 | 387702024 | 387703124 |
| 25 | 254.2 | [10.03] | 228.60 | [9.000] | 247.7 | [9.75] | 240.3 | [9.46] | 387701925 | 387702025 | 387703125 |
| 26 | 264.3 | [10.41] | 238.13 | [9.375] | 257.2 | [10.13] | 249.9 | [9.84] | 387701926 | 387702026 | 387703126 |
| 27 | 273.8 | [10.78] | 247.65 | [9.750] | 266.7 | [10.50] | 259.4 | [10.21] | 387701927 | 387702027 | 387703127 |
| 28 | 283.3 | [11.16] | 257.18 | [10.125] | 276.2 | [10.88] | 268.9 | [10.59] | 387701928 | 387702028 | 387703128 |
| 29 | 292.9 | [11.53] | 266.70 | [10.500] | 285.8 | [11.25] | 278.4 | [10.96] | 387701929 | 387702029 | 387703129 |
| 30 | 302.4 | [11.91] | 276.23 | [10.875] | 295.3 | [11.63] | 288.0 | [11.34] | 387701930 | 387702030 | 387703130 |

| TOLERANCES | | | |
|------------|-------|-----------|-------|
| MM | TOL | INCH | TOL |
| 0-6 | ±0.25 | 0-.24 | ±.010 |
| >6-30 | ±0.40 | .24-1.18 | ±.016 |
| >30-120 | ±0.50 | 1.18-4.76 | ±.020 |
| >120 | ±0.80 | >4.76 | ±.031 |

| | | | | | | | | | | | | | | | | | | | | | | | | | | | |
|---------------------------------------|--|-------------|--|---|--|-------------|--|---|--|-------------|--|---|--|--|--|-----------------|--|-------------|--|----------------|--|-------------|--|--------------|--|--|--|
| FUNCTIONAL SYMBOLS | | | | | | | | | | | | THIS DRAWING CONTAINS INFORMATION THAT IS PROPRIETARY TO MOLEX ELECTRONIC TECHNOLOGIES, LLC AND SHOULD NOT BE USED WITHOUT WRITTEN PERMISSION | | | | | | | | | | | | | | | |
| DIMENSION UNITS | | | | SCALE | | | | CURRENT REV DESC: MIGRATED TO ECTR/NX & ADDED TOLERANCE TABLE | | | |  9.53MM [.375] DOUBLE ROW LOW PROFILE BTS ASSY | | | | | | | | | | | | | | | |
| MM/INCH | | | | 2:1 | | | | | | | | | | | | | | | | | | | | | | | |
| GENERAL TOLERANCES (UNLESS SPECIFIED) | | | | | | | | | | | | EC NO: 642242 DRWN: ABENJAMINLW 2020/04/30 CHK'D: MBRZOZOWSKI 2020/05/13 APPR: JFMURPHY 2020/08/11 INITIAL REVISION: DRWN: AHIDALGO 2006/05/11 APPR: RDEROSS 2006/05/11 | | | | | | | | | | | | | | | |
| 4 PLACES | | ± --- ± --- | | 3 PLACES | | ± --- ± --- | | 2 PLACES | | ± --- ± --- | | | | | | 1 PLACE | | ± --- ± --- | | 0 PLACES | | ± --- ± --- | | | | | |
| 3 PLACES | | ± --- ± --- | | 2 PLACES | | ± --- ± --- | | 1 PLACE | | ± --- ± --- | | | | | | 0 PLACES | | ± --- ± --- | | ANGULAR TOL | | ± --- | | | | | |
| 3 PLACES | | ± --- ± --- | | 2 PLACES | | ± --- ± --- | | 1 PLACE | | ± --- ± --- | | | | | | 0 PLACES | | ± --- ± --- | | ANGULAR TOL | | ± --- | | | | | |
| 2 PLACES | | ± --- ± --- | | 1 PLACE | | ± --- ± --- | | 0 PLACES | | ± --- ± --- | | | | | | ANGULAR TOL | | ± --- | | | | | | | | | |
| DIVISIONAL SYMBOLS | | | | THIRD ANGLE PROJECTION | | | | DRAWING | | | | SERIES | | | | MATERIAL NUMBER | | | | CUSTOMER | | | | SHEET NUMBER | | | |
| | | | |  | | | | B-SIZE | | | | 38770 | | | | SEE CHART | | | | GENERAL MARKET | | | | 2 OF 2 | | | |

| NO. OF CIRCUITS 'XX' | DM. 'A' | DM. 'B' | DM. 'C' | DM. 'D' | ASSEMBLY MATERIAL NO. (STANDARD) | ASSEMBLY MATERIAL NO. (-49 OPTION) | ASSEMBLY MATERIAL NO. (-50 OPTION) |
|----------------------|---------------|-----------------|---------------|---------------|----------------------------------|------------------------------------|------------------------------------|
| 2 | 35.7 [1.41] | 9.53 [.375] | 28.6 [1.13] | 21.3 [.84] | 387701902 | 387702002 | 387703102 |
| 3 | 45.2 [1.78] | 19.05 [.750] | 38.1 [1.50] | 30.8 [1.21] | 387701903 | 387702003 | 387703103 |
| 4 | 54.7 [2.16] | 28.58 [1.125] | 47.6 [1.88] | 40.3 [1.59] | 387701904 | 387702004 | 387703104 |
| 5 | 64.3 [2.53] | 38.10 [1.500] | 57.2 [2.25] | 49.8 [1.96] | 387701905 | 387702005 | 387703105 |
| 6 | 73.8 [2.91] | 47.63 [1.875] | 66.7 [2.63] | 59.4 [2.34] | 387701906 | 387702006 | 387703106 |
| 7 | 83.3 [3.28] | 57.15 [2.250] | 76.2 [3.00] | 68.9 [2.71] | 387701907 | 387702007 | 387703107 |
| 8 | 92.8 [3.66] | 66.68 [2.625] | 85.7 [3.38] | 78.4 [3.09] | 387701908 | 387702008 | 387703108 |
| 9 | 102.4 [4.03] | 76.20 [3.000] | 95.3 [3.75] | 87.9 [3.46] | 387701909 | 387702009 | 387703109 |
| 10 | 111.9 [4.41] | 85.73 [3.375] | 104.8 [4.13] | 97.5 [3.84] | 387701910 | 387702010 | 387703110 |
| 11 | 121.4 [4.78] | 95.25 [3.750] | 114.3 [4.50] | 107.0 [4.21] | 387701911 | 387702011 | 387703111 |
| 12 | 130.9 [5.16] | 104.78 [4.125] | 123.8 [4.88] | 116.5 [4.59] | 387701912 | 387702012 | 387703112 |
| 13 | 140.5 [5.53] | 114.30 [4.500] | 133.4 [5.25] | 126.0 [4.96] | 387701913 | 387702013 | 387703113 |
| 14 | 150.0 [5.91] | 123.83 [4.875] | 142.9 [5.63] | 135.6 [5.34] | 387701914 | 387702014 | 387703114 |
| 15 | 159.5 [6.28] | 133.35 [5.250] | 152.4 [6.00] | 145.1 [5.71] | 387701915 | 387702015 | 387703115 |
| 16 | 169.0 [6.66] | 142.88 [5.625] | 161.9 [6.38] | 154.6 [6.09] | 387701916 | 387702016 | 387703116 |
| 17 | 178.6 [7.03] | 152.40 [6.000] | 171.5 [6.75] | 164.1 [6.46] | 387701917 | 387702017 | 387703117 |
| 18 | 188.1 [7.41] | 161.93 [6.375] | 181.0 [7.13] | 173.7 [6.84] | 387701918 | 387702018 | 387703118 |
| 19 | 197.6 [7.78] | 171.45 [6.750] | 190.5 [7.50] | 183.2 [7.21] | 387701919 | 387702019 | 387703119 |
| 20 | 207.1 [8.16] | 180.98 [7.125] | 200.0 [7.88] | 192.7 [7.59] | 387701920 | 387702020 | 387703120 |
| 21 | 216.7 [8.53] | 190.50 [7.500] | 209.6 [8.25] | 202.2 [7.96] | 387701921 | 387702021 | 387703121 |
| 22 | 226.2 [8.91] | 200.03 [7.875] | 219.1 [8.63] | 211.8 [8.34] | 387701922 | 387702022 | 387703122 |
| 23 | 235.7 [9.28] | 209.55 [8.250] | 228.6 [9.00] | 221.3 [8.71] | 387701923 | 387702023 | 387703123 |
| 24 | 245.2 [9.66] | 219.08 [8.625] | 238.1 [9.38] | 230.8 [9.09] | 387701924 | 387702024 | 387703124 |
| 25 | 254.8 [10.03] | 228.60 [9.000] | 247.7 [9.75] | 240.3 [9.46] | 387701925 | 387702025 | 387703125 |
| 26 | 264.3 [10.41] | 238.13 [9.375] | 257.2 [10.13] | 249.9 [9.84] | 387701926 | 387702026 | 387703126 |
| 27 | 273.8 [10.78] | 247.65 [9.750] | 266.7 [10.50] | 259.4 [10.21] | 387701927 | 387702027 | 387703127 |
| 28 | 283.3 [11.16] | 257.18 [10.125] | 276.2 [10.88] | 268.9 [10.59] | 387701928 | 387702028 | 387703128 |
| 29 | 292.9 [11.53] | 266.70 [10.500] | 285.8 [11.25] | 278.4 [10.96] | 387701929 | 387702029 | 387703129 |
| 30 | 302.4 [11.91] | 276.23 [10.875] | 295.3 [11.63] | 288.0 [11.34] | 387701930 | 387702030 | 387703130 |

| | | | | | | | | |
|---|-------------------------------|--|--|---|--|--------------------|--------------|------------------------|
| INITIAL RELEASE EC NO: ETC2006-0393 DRW: AHIDALGO 2006/05/11 CHKD: JENCINAS 2006/05/11 APPR: RDEROSS 2006/05/11 | QUALITY SYMBOLS ▽=0 ▽=0 | GENERAL TOLERANCES (UNLESS SPECIFIED) | | DIMENSION STYLE | | SCALE | DESIGN UNITS | THIRD ANGLE PROJECTION |
| | | | | MM/IN | | 2:1 | INCH | |
| | | | | DRAWN BY DATE | | TITLE | | |
| | | | | CHECKED BY DATE | | MOLEX INCORPORATED | | |
| | | APPROVED BY DATE | | DOCUMENT NO. | | SHEET NO. | | |
| | | ANGULAR ± 2 ° | | SEE CHART | | 2 OF 2 | | |
| | | DRAFT WHERE APPLICABLE MUST REMAIN WITHIN DIMENSIONS | | THIS DRAWING CONTAINS INFORMATION THAT IS PROPRIETARY TO MOLEX INCORPORATED AND SHOULD NOT BE USED WITHOUT WRITTEN PERMISSION | | | | |