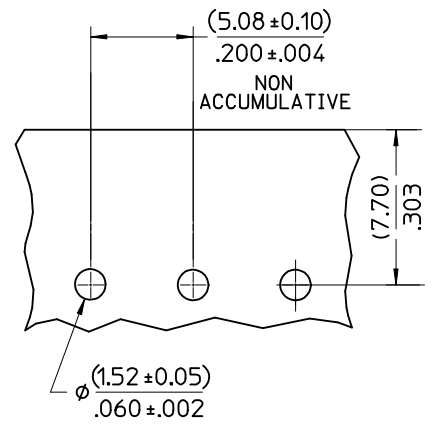
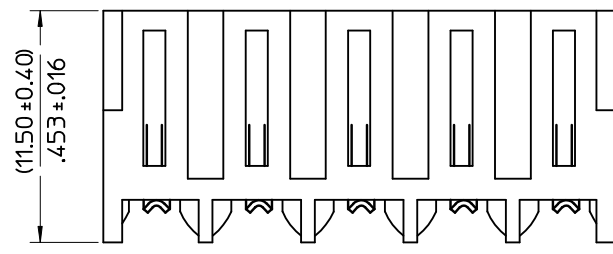
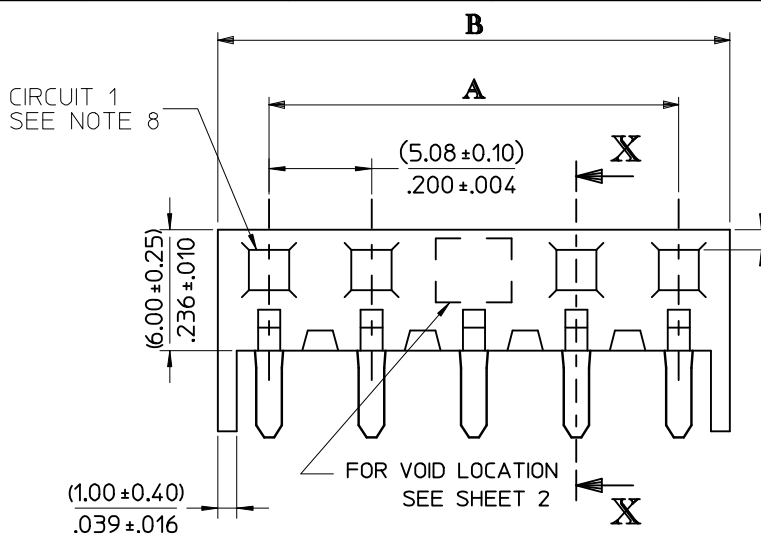
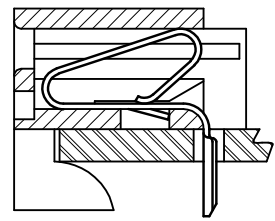
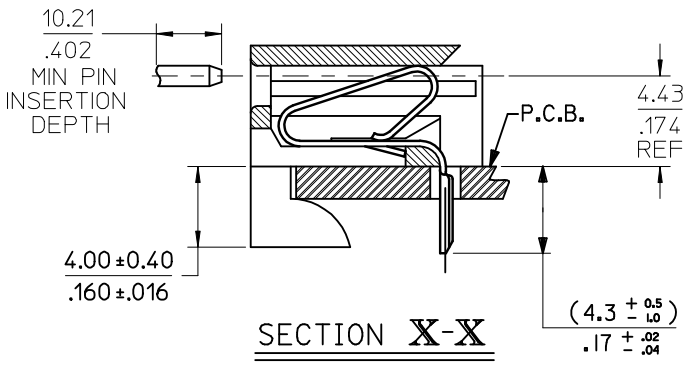


CCT	PART No.	ENG No.	DIM A	DIM B
2	10-10-1021	AE-3002-2A	(5.08 ± 0.10) .200 ± .004	(10.16 ± 0.25) .400 ± .006
3	-1031	-3A	(10.16 ± 0.10) .400 ± .004	(15.24 ± 0.15) .600 ± .008
4	-1041	-4A	(15.24 ± 0.10) .600 ± .004	(20.32 ± 0.15) .800 ± .008
5	-1051	-5A	(20.32 ± 0.10) .800 ± .004	(25.40 ± 0.15) 1.000 ± .008
6	-1061	-6A	(25.40 ± 0.10) 1.000 ± .004	(30.48 ± 0.20) 1.200 ± .008
7	-1071	-7A	(30.48 ± 0.20) 1.200 ± .008	(35.56 ± 0.20) 1.400 ± .008
8	-1081	-8A	(35.56 ± 0.20) 1.400 ± .008	(40.64 ± 0.20) 1.600 ± .008
9	-1091	-9A	(40.64 ± 0.20) 1.600 ± .008	(45.72 ± 0.20) 1.800 ± .008
10	-1101	-10A	(45.72 ± 0.20) 1.800 ± .008	(50.80 ± 0.20) 2.000 ± .008
11	-1111	-11A	(50.80 ± 0.20) 2.000 ± .008	(55.88 ± 0.30) 2.200 ± .012
12	10-10-1121	AE-3002-12A	(55.88 ± 0.25) 2.200 ± .010	(60.96 ± 0.30) 2.400 ± .012



RECOMMENDED P.C.B.HOLE DIMENSIONS
RECOMMENDED P.C.B. THICKNESS: 1.57/.062



- NOTES:
- HOUSING : NYLON, UL94V-2, COLOR: NATURAL
TERMINAL : PHOSPHOR BRONZE
 - FINISH: HOT TIN DIP. (0.00254)/.000100 MIN
 - PRODUCT SPECIFICATION : PS-99020-0087
 - PACKAGING SPECIFICATION : TBD
 - HOUSING SUITABLE FOR (1.14±0.15)/.045±.006 RD OR SQ. PINS
 - HOOKS AVAILABLE ON ENDS ONLY
 - THIS PART CONFORMS TO CLASS B REQUIREMENTS OF COSMETIC SPECIFICATION PS-45499-002
 - CIRCUIT 1 I.D. USED TO DEFINE VOID LOCATION.
CIRCUIT 1 MAY OR MAY NOT LINE UP WITH CIRCUIT 1 OF MATING PART

INSERTION DEPTH	QUALITY SYMBOLS	GENERAL TOLERANCES (UNLESS SPECIFIED)		DIMENSION STYLE		SCALE	DESIGN UNITS	THIRD ANGLE PROJECTION	
		mm	INCH	MM/IN	4:1	METRIC	⊙ □		
M1	F _A = 0 F _C = 0 F _P = 0	4 PLACES	± ---	± ---	DRAWN BY	DATE	TITLE KONEKTCON AND P.C. TAIL TERMINAL ASSEMBLY (5.08)/.200 PITCH		
		3 PLACES	± ---	± ---	GCH	1995/06/15			
		2 PLACES	± ---	± ---	CHECKED BY	DATE	molex DOCUMENT NO. SDAE-3002-NA-* SHEET NO. 1 OF 2		
		1 PLACE	± ---	± ---	GMCSWEENEY	2005/08/31			
		0 PLACE	± ---	± ---	APPROVED BY	DATE			
					JDENNEHY	2005/08/31	THIS DRAWING CONTAINS INFORMATION THAT IS PROPRIETARY TO MOLEX INCORPORATED AND SHOULD NOT BE USED WITHOUT WRITTEN PERMISSION		

CCT	PART No.	ENG No.	VOID CCT. No's	HOOKS
8	10-05-1089	AE-3002-8A-3	3	YES
9	38-00-1502	AE-3002-9A-51	2,4,6,8	YES
5	38-00-7643	AE-3002-5A-52	NONE	NONE

OBSOLETE 13-20 CKT EC NO: UCP/2011-3286 DRWN:MMSTROH 2011/04/25 CHKD:MKIPPER 2011/04/30 APPR:FSM/JTH 2011/05/02	QUALITY SYMBOLS	GENERAL TOLERANCES (UNLESS SPECIFIED)	DIMENSION STYLE MM ONLY	SCALE ---	DESIGN UNITS METRIC	THIRD ANGLE PROJECTION
	$\nabla_A = 0$	4 PLACES	mm INCH	DRAWN BY GCH	DATE 1986/06/17	TITLE KONEKTCON AND P.C. TAIL TERMINAL ASSEMBLY (5.08)/.200 PITCH
	$\nabla_C = 0$	3 PLACES	\pm --- \pm ---	CHECKED BY GMCSWEENEY	DATE 2005/08/31	MOLEX INCORPORATED
	$\nabla_B = 0$	2 PLACES	\pm --- \pm ---	APPROVED BY JDENNEHY	DATE 2005/08/31	
	1 PLACE	\pm --- \pm ---	ANGULAR \pm --- °		MATERIAL NO. SDAE-3002-NA-*	SHEET NO. 2 OF 2
		DRAFT WHERE APPLICABLE MUST REMAIN WITHIN DIMENSIONS	SEE CHART		THIS DRAWING CONTAINS INFORMATION THAT IS PROPRIETARY TO MOLEX INCORPORATED AND SHOULD NOT BE USED WITHOUT WRITTEN PERMISSION	