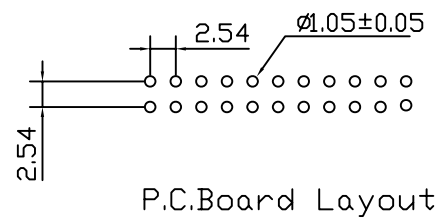
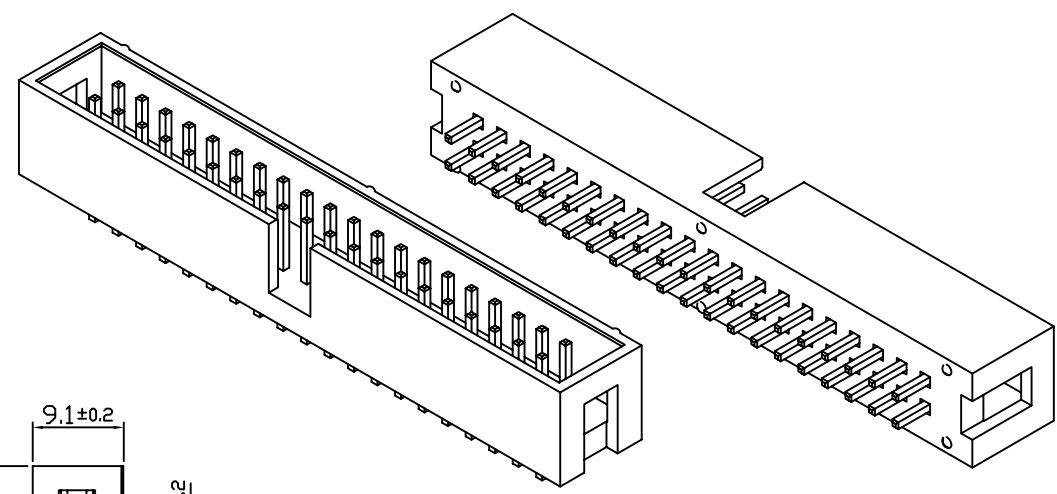


B-D-xx-LF  
LEADFREE  
RoHS Compliant



Conteract:  
Contact:Brass.  
Insuiator:PBT.  
Finish:Gold flash plated over nickel.



Circuits	Dimension		
	A	B	C
6	15.24	12.94	5.08
8	17.78	15.48	7.62
10	20.32	18.02	10.16
14	25.4	23.1	15.24
16	27.94	25.64	17.78
20	33.02	30.72	22.86
24	38.1	35.8	27.94
26	40.64	38.34	30.48
30	45.72	43.42	35.56
34	50.8	48.5	40.64
40	58.42	56.12	48.26
50	71.12	68.82	60.96
60	83.82	81.52	73.66
64	88.9	86.6	78.74



PART NO. B-D-xx		CHECKED BY CY		TOLERANCES ARE .X±0.2 .XX± .XXX± AWG	DESCRIP TION:			
DWG NO. B-D-xx		DRAWING BY						
FILE NO.		PROJECTION		AREA	REVISIONS	HK	DATE	
UNIT / mm	SCALE 1:1							

煜倫股份有限公司