

REVISIONS			
REV	DESCRIPTION, ECN, EAR NO.	DATE	APP'D
H	PRODUCT DRAWING (EAR 14970)	MAY07/21	M.P.
J	PRODUCT DRAWING (EAR 14970)	JUN01/21	M.P.

ORDERING CODE: FLA - C X0 - 00

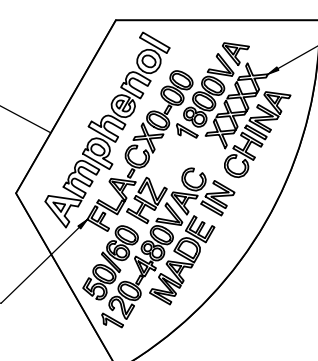
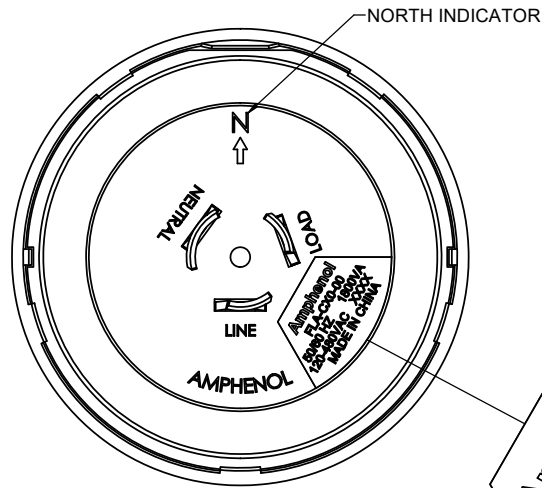
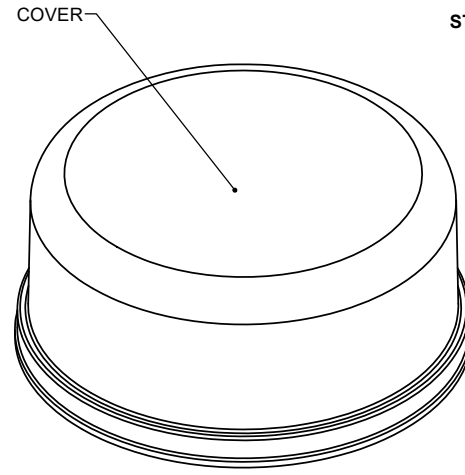
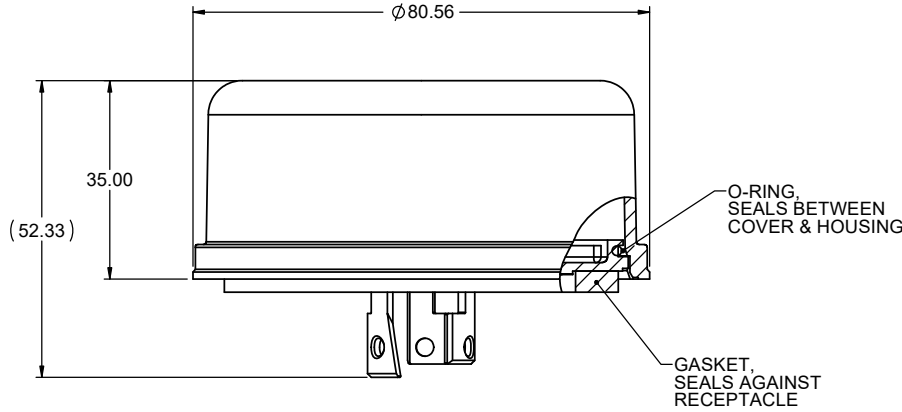
FLA SERIES

SHORTING OR OPEN CAP

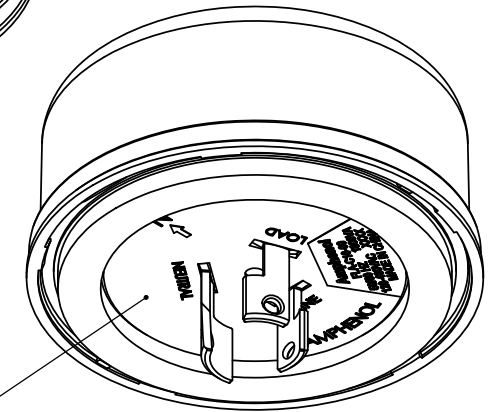
CAP OPTIONS

00 = OPEN CAP
10 = SHORTING CAP
20 = SHORTING CAP WITH MOV

STANDARD



4-DIGIT DATE COSE



NOTES:

- MATERIALS:
 - HOUSING: ENGINEERING THERMOPLASTIC, UL94V-0 FLAMMABILITY RATING
 - CONTACTS: COPPER ALLOY PLATED WITH MATTE TIN
 - SHORTING CLIP: COPPER ALLOY
 - GASKET: SILICONE RUBBER, UL94V-0 FLAMMABILITY RATING
 - O-RING: SILICONE RUBBER, UL94V-0 FLAMMABILITY RATING
 - COVER: POLYCARBONATE, UL94-5VA FLAMMABILITY RATING
- MATING INTERFACE PER ANSI C136.10.
- FOR USE WITH ANSI C136.41 RECEPTACLES.
- IP66 PROTECTION AS PER IEC 60529.
- OUTDOOR RATING CERTIFIED TO UL773 REQUIREMENTS.

AMPHENOL P/N	DESCRIPTION	COVER COLOUR
FLA-C00-00	OPEN CAP	RED
FLA-C10-00	SHORTING CAP	BLACK
FLA-C20-00	SHORTING CAP WITH MOV	BLACK

PRODUCT LABEL
SCALE 4 : 1



UNLESS SPECIFIED OTHERWISE	DRAWN	I.NELSON	JUL11/19
PRIMARY UNITS MILLIMETERS	CHECKED	S.MUGAN	JUL15/19
SECONDARY	M.E. APP'D		
REFERENCE IN PARENTHESES	Q.A. APP'D		
GENERAL TOLERANCES	DWG APPR.		
1 DECIMAL PLACE	ENG. REL. NO.		
2 DECIMAL PLACES ± 0.15	REF.		
3 DECIMAL PLACES	THIRD ANGLE PROJECTION		
ANGULAR DEGREES	DO NOT SCALE DRAWING		

Amphenol Canada Corp.
Commercial Products

FLA SHORTING & OPEN CAPS,
RoHS COMPLIANT

DWG. NO.	P-FLA-CX0-00	REV	J
CODE ID NO. 03554	DWG SIZE: X	SCALE: 3:2	SHEET 1 OF 1