

SUMMARY

Wires

Low voltage 1



Image is for illustrative purpose only

Series 00
Termination type Male solder
IP rating 50
AWG wire size 28.00 - 20.00
Cable Ø 2.20 - 2.60 mm
Status active
Matching parts [ERA.00.113.CTL](#)

Download

[Request a quote](#)

[Catalog](#)

TECHNICAL DETAILS

Mechanics

Shell Style/Model FFA*: Straight plug with cable collet
Keying Circular, male
Housing Material Brass (chrome plated [SAE AMS 2460]) shell and collet nut, nickel plated [SAE AMS QQ N 290] brass latch sleeve and mid pieces
Weight 3.01 g

Performance

Configuration 00.113 : 1 Low Voltage
Insulator T: PTFE
Rated Current 8 Amps

Specifications

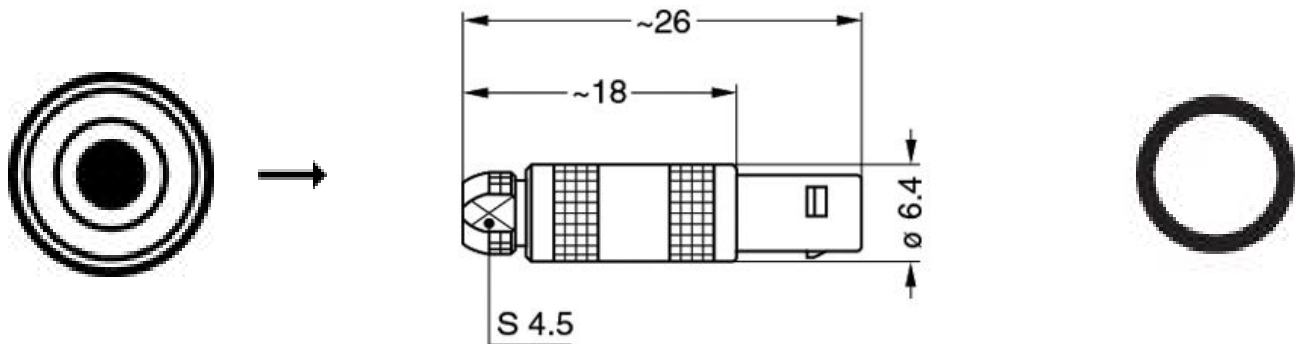
Contact Type: Solder
Vtest: 850 V (AC), 1200 V (DC)

Others

Salt Spray Corrosion: >1000 hr

LEMO products and services are provided "as is". LEMO makes no warranties or representations with regard to LEMO product & services or use of them, express, implied or statutory, including for accuracy, completeness, or security. The user is fully responsible for his products and applications using LEMO components.

DRAWINGS



Dimensions

	A	L	M
mm.	6.4	26	18
in.	0,25	1,02	0,71

RECOMMENDED BY LEMO

Tools

Spanner wrench: [DCD.00.ZZZ.PA045](#)

LEMO products and services are provided "as is". LEMO makes no warranties or representations with regard to LEMO product & services or use of them, express, implied or statutory, including for accuracy, completeness, or security. The user is fully responsible for his products and applications using LEMO components.