



LAYOUT SHOWN AS EXAMPLE

Keying Shown as example

**CHARACTERISTICS**

- Standard : Based on MIL-DTL-38999 Series III
- Shell Material : Stainless Steel
- Shell Plating : Passivated
- Insulator : Thermoplastic
- Contacts : Copper Alloy
- Seals & Grommet : Silicon Elastomer
- Contact Plating : Gold over copper Alloy 0.8µm minimum
- Durability : 500 Mating cycles
- Delivered with Souriau contacts and Accessories
- Temperature Range : -65°C to +200°C
- Salt Spray : 500 hours

Connector dimension	
Dim	Nominal
A	58.7±0.3
B	42.85+0.1/-0.15
R	32.5Max
S	55.6±0.4
W	3+0.9/-0.1
VV THREAD	M37x1-6g

SOURIAU shall not be liable for any non-conformity or damage due to a use of the Products which does not comply with the Specifications issued by either of the Parties or by a third party (professional recommendation, technical notice.)

Country	Jurisdiction & Control List
FR	Not Listed

**PN: 8D725K19PA**

A	03-10-2016	First Release	
ISS	DATE	Latest modification - by	MOD N°
Designed By:		Date:	<b>CUSTOMER DRAWING</b>

<b>TITLE</b>	<b>Stainless Steel Receptacle 8D series</b>		
--------------	---------------------------------------------	--	--

SCALE		General linear Tolerances:	NPRDS / PROJECT
NA		±--	<b>859</b>

<b>SOURIAU</b>	<b>WWW.SOURIAU.COM</b>	This document is the property of SOURIAU it must not be reproduced or communicated without permission
FORMAT	<b>SOURIAU DRG N° 8D725K19PA-C</b>	

<b>A3</b>		SHEET
		<b>1/2</b>

BASIC SERIES:	8D	7	-	25	K	19	P	A	ORIENTATION : A
SHELL TYPE :	Jam nut Receptacle								CONTACT TYPE : PIN(500 Matings)
CONTACT TYPE :	Standard Crimp Contact								CONTACT LAYOUT : 25-19
SHELL SIZE :	25								
PLATING :	K = Passivated								

Contact Layout

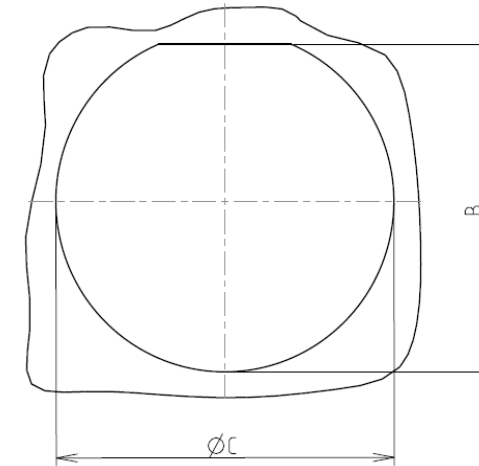


Contacts (Insert arrangement 25-19)					
Contact position ID	Location		Contact position ID	Location	
	X-axis (mm)	Y-axis (mm)		X-axis (mm)	Y-axis (mm)
A	+000 (0.00)	+409 (10.39)	L	-354 (8.99)	+205 (5.21)
B	+236 (5.99)	+409 (10.39)	M	-236 (5.99)	+409 (10.39)
C	+354 (8.99)	+205 (5.21)	N	-118 (3.00)	+205 (5.21)
D	+472 (11.99)	+000 (0.00)	P	+118 (3.00)	+205 (5.21)
E	+354 (8.99)	-205 (5.21)	R	+236 (5.99)	+000 (0.00)
F	+236 (5.99)	-409 (10.39)	S	+118 (3.00)	-205 (5.21)
G	+000 (0.00)	-409 (10.39)	T	-118 (3.00)	-205 (5.21)
H	-236 (5.99)	-409 (10.39)	U	-236 (5.99)	+000 (0.00)
J	-354 (8.99)	-205 (5.21)	V	+000 (0.00)	+000 (0.00)
K	-472 (11.99)	+000 (0.00)	---	---	---

Shell size	Arrangement no.	Number of contacts	Size contacts	Service rating	Contact location	Supersedes
25	-19	19	12	I	All	MS20057-19

Panel cutout

JAM NUT RECEPTACLE (TYPE 7)



Dim	Nominal
B	43.43+0/-0.25
ØC	44.7+0.25/-0

SOURIAU shall not be liable for any non-conformity or damage due to a use of the Products which does not comply with the Specifications issued by either of the Parties or by a third party (professional recommendation, technical notice.)

Country	Jurisdiction & Control List
FR	Not Listed

PN: 8D725K19PA

A	03-10-2016	First Release	
ISS	DATE	Latest modification - by	MOD N°
Designed By:		Date:	<b>CUSTOMER DRAWING</b>
<b>TITLE</b>	<b>Stainless Steel Receptacle 8D series</b>		
SCALE		General linear Tolerances:	NPRDS / PROJECT
NA		±--	<b>859</b>
<b>SOURIAU</b>	<b>WWW.SOURIAU.COM</b>		This document is the property of SOURIAU it must not be reproduced or communicated without permission
FORMAT	<b>SOURIAU DRG N° 8D725K19PA-C</b>		SHEET 2/2