

THIS DRAWING IS UNPUBLISHED.

RELEASED FOR PUBLICATION

© COPYRIGHT - By -

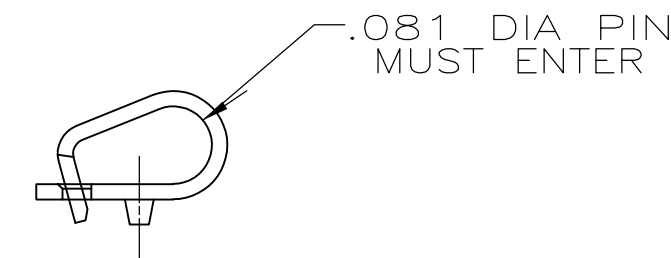
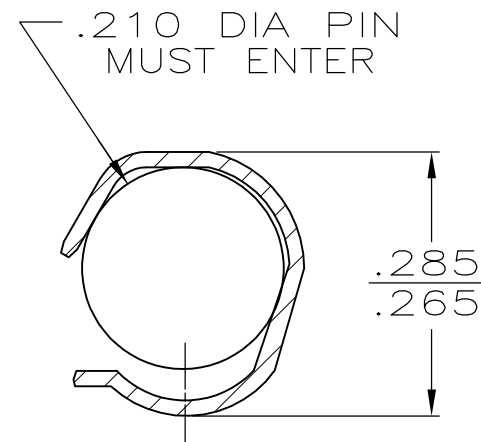
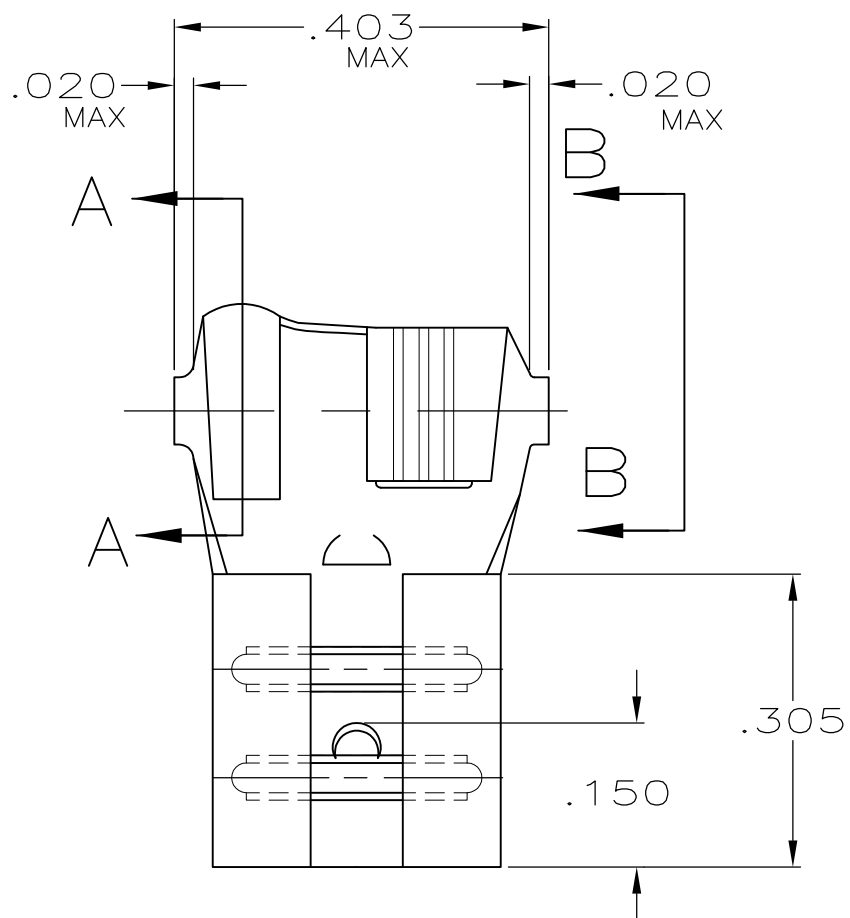
ALL RIGHTS RESERVED.

LOC AF DIST 50

REVISIONS

P	LTR	DESCRIPTION	DATE	DWN	APVD
C		REVISED PER ECO-13-008266	20MAY13	JR	PD

- 1 WIRE AND INSULATION BARRELS TO BE PREFORMED AS SHOWN IN CUT OFF OPERATION.
- 2 SUPPLIED IN LOOSE PIECE.
- 3 FOREIGN PRODUCTION ONLY.
- 4 -2 PART IS MADE FROM 41801
- 5 -3 PART IS MADE FROM 41802.



VIEW B-B

SECTION A-A

TIN	-	2.79-5.33 [.110-.210]	0.8-3.0mm ² [18-12]	0.81 [.032]	42232-3
FINISH		INSULATION RANGE	WIRE SIZE	±0.025 [±.001] TAB THK	42232-2
					PART NUMBER

THIS DRAWING IS A CONTROLLED DOCUMENT.		DWN JR RUTH 11/16/93	STE TE Connectivity		
DIMENSIONS: INCHES		CHK MS FEHER 11/16/93			
TOLERANCES UNLESS OTHERWISE SPECIFIED:		APVD P DESANTIS 11/16/93	NAME RECEPTACLE, FASTON,™ FLAG, .250 SERIES		
0 PLC ± -		PRODUCT SPEC -	SIZE CAGE CODE DRAWING NO RESTRICTED TO		
1 PLC ± -		APPLICATION SPEC -	A3 00779 C-42232		
2 PLC ± -		WEIGHT -	SCALE NTS SHEET 1 OF 1 REV C		
3 PLC ± .015					
4 PLC ± -					
ANGLES ± -					
MATERIAL BRASS	FINISH SEE TABLE				
		CUSTOMER DRAWING			