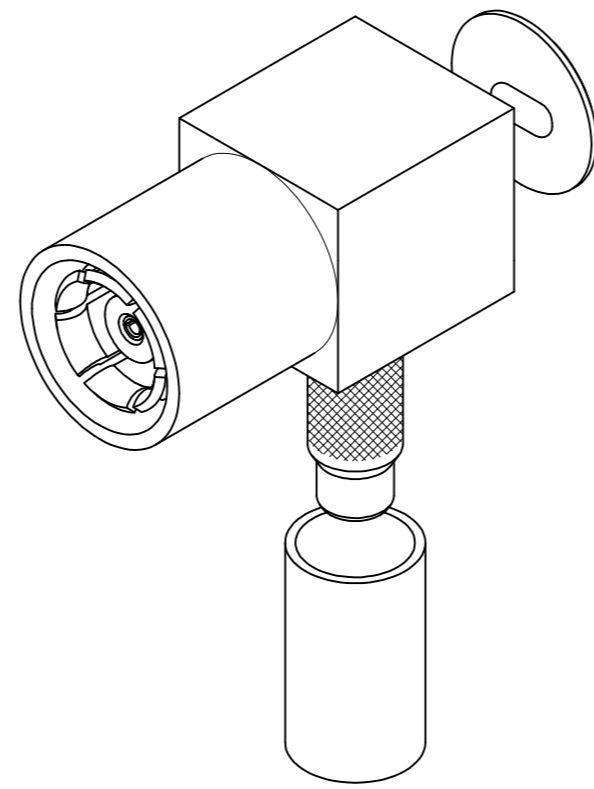
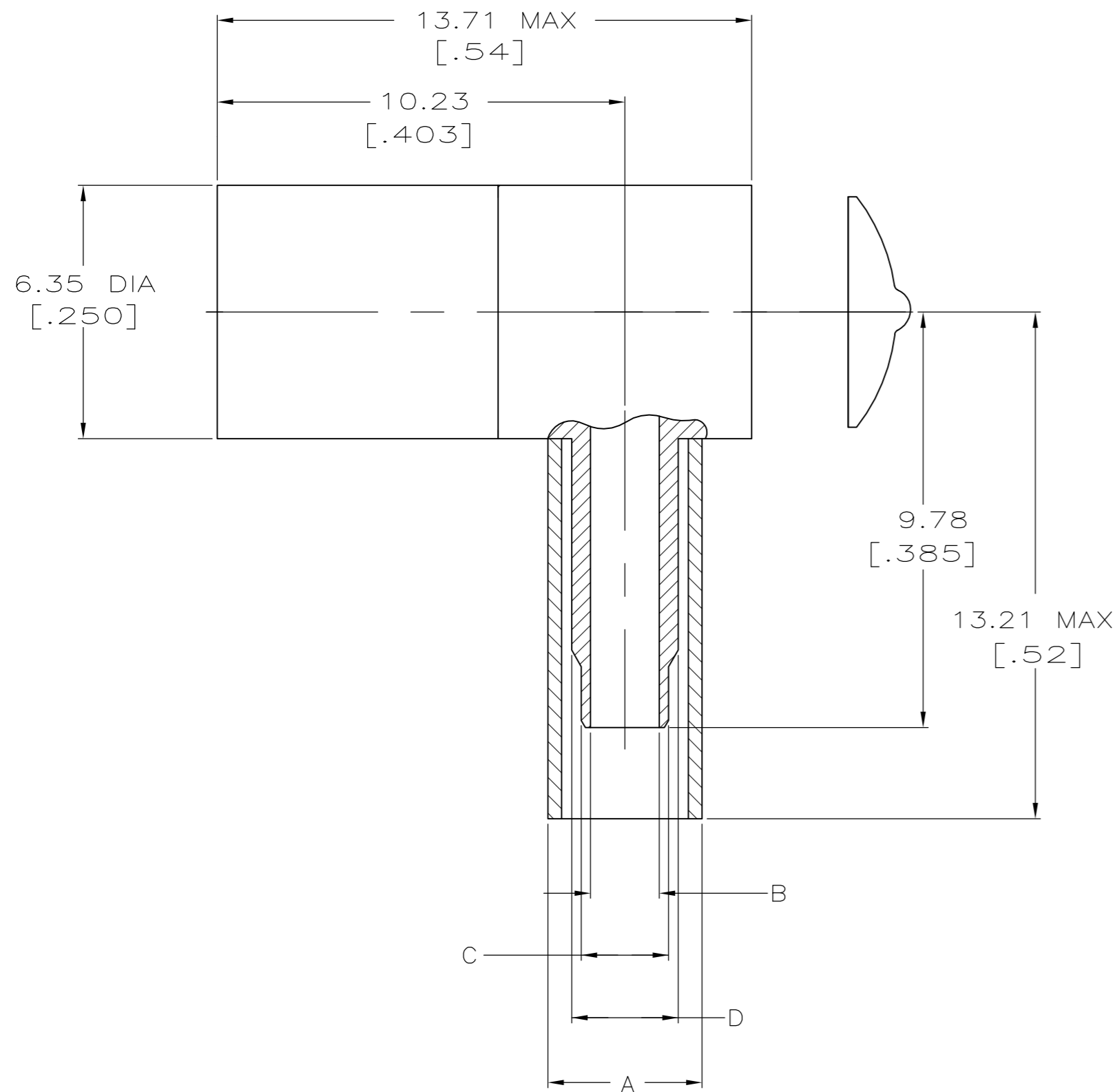
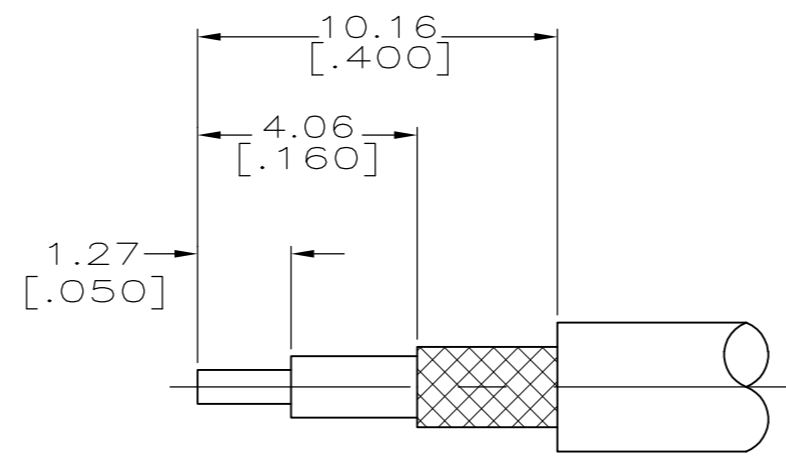


THIS DRAWING IS UNPUBLISHED. RELEASED FOR PUBLICATION  
 © COPYRIGHT - By - ALL RIGHTS RESERVED.

LOC		DIST		REVISIONS			
P	LTR	DESCRIPTION		DATE	DWN	APVD	
AJ	16	K	REACTIVE	414002-7 PER ECO-14-017892	27NOV2014	G.C	M.Y



ISOMETRIC VIEW



RECOMMENDED STRIP LENGTHS  
SCALE NTS

- MATERIALS:  
 BODY...BRASS PER QQ-B-626  
 INNER AND OUTER CONTACTS...  
 BERYLLIUM COPPER PER QQ-C-533  
 DIELECTRIC...PTFE PER LP-403
- FINISH:  
 BODY AND OUTER CONTACTS...  
 GOLD PER MIL-G-45204 OVER  
 NICKEL PER QQ-N-290.  
 CENTER CONTACT...GOLD PER MIL-G-45204  
 AT INTERFACE AND AT SOLDER END; OVER  
 NICKEL PER QQ-N-290
- FINISH:  
 BODY...NICKEL PER QQ-N-290 OVER  
 COPPER PER MIL-C-14550  
 OUTER CONTACTS...GOLD PER MIL-G-45204  
 OVER NICKEL PER QQ-N-290  
 CENTER CONTACT...GOLD PER MIL-G-45204  
 AT INTERFACE AND AT SOLDER END; OVER  
 NICKEL PER QQ-N-290
- FINISH:  
 BODY AND OUTER CONTACT...NICKEL  
 PER QQ-N-290 OVER COPPER PER  
 MIL-C-14550  
 CENTER CONTACT...GOLD PER MIL-C-45204  
 AT INTERFACE AND AT SOLDER END; OVER  
 NICKEL PER QQ-N-290
- INTERFACE PER MIL-C-39012.
- SEE I.S. SHEET 2987-9

SUPSD BY 414002-4	C	58483-1	.151	HX4-1637	2.64 [.104]	2.16 [.085]	1.70 [.067]	4.54 [.179]	3	RG 174,188,316(ALL DBL SHIELDED)	1-414002-0
	A	58483-1	.105	HX4-1637	1.98 [.076]	1.37 [.055]	0.96 [.040]	3.86 [.152]	4	RG 178,196	414002-9
	A	58483-1	.105	HX4-1637	1.98 [.076]	1.37 [.055]	0.96 [.040]	3.86 [.152]	3	RG 178,196	414002-8
	A	58483-1	.105	HX4-1637	1.98 [.076]	1.37 [.055]	0.96 [.040]	3.86 [.152]	2	RG 178,196	414002-7
SUPSD BY 414363-6	C	58483-1	.151	HX4-1637	2.64 [.104]	2.16 [.085]	1.70 [.067]	4.54 [.179]	4	RG 174,188,316(ALL DBL SHIELDED)	414002-6
	B	58483-1	.128	HX4-1637	2.64 [.104]	2.16 [.085]	1.70 [.067]	3.86 [.152]	4	RG 174,188,316	414002-5
	C	58483-1	.151	HX4-1637	2.64 [.104]	2.16 [.085]	1.70 [.067]	4.54 [.179]	3	RG 174,188,316(ALL DBL SHIELDED)	414002-4
	B	58483-1	.128	HX4-1637	2.64 [.104]	2.16 [.085]	1.70 [.067]	3.86 [.152]	3	RG 174,188,316	414002-3
	C	58483-1	.151	HX4-1637	2.64 [.104]	2.16 [.085]	1.70 [.067]	4.54 [.179]	2	RG 174,188,316(ALL DBL SHIELDED)	414002-2
	B	58483-1	.128	HX4-1637	2.64 [.104]	2.16 [.085]	1.70 [.067]	3.86 [.152]	2	RG 174,188,316	414002-1

POSITION LETTER	TE DIE SET	HEX SIZE	DANIELS DIE SET	D DIA	C DIA	B DIA	A DIA	NOTES	CABLE	PART NO	
TE PRO-CRIMPER FOR BRAID CRIMP				M 22520/5-01 FOR BRAID CRIMP				TOOLING INFORMATION			



THIS DRAWING IS A CONTROLLED DOCUMENT.

DWN	11/8/90	TE Connectivity PLUG,RTANG CRIMP,HEX CRIMP,SMB									
CHK	11/8/90										
APVD	11/9/90										
PRODUCT SPEC											
MATERIAL	SEE NOTES	WEIGHT	-	SIZE	A2	CAGE CODE	00779	DRAWING NO	C=414002	RESTRICTED TO	-
CUSTOMER DRAWING		SCALE	8:1	SHEET	1 OF 1	REV	K				