
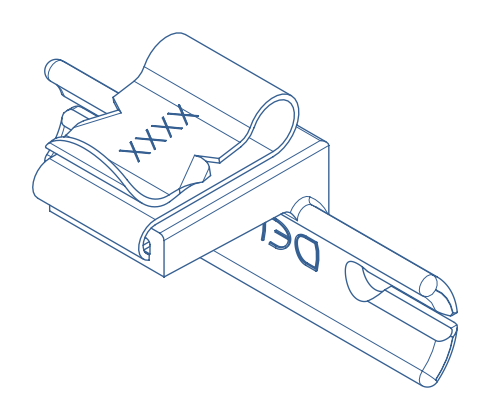
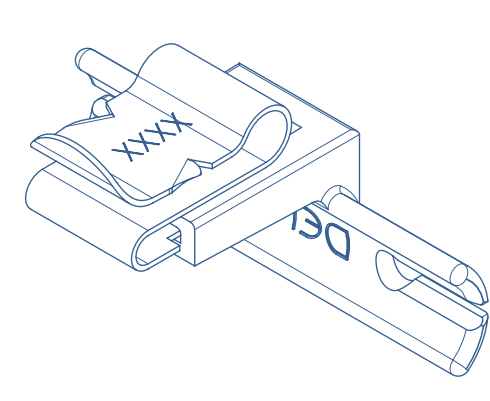


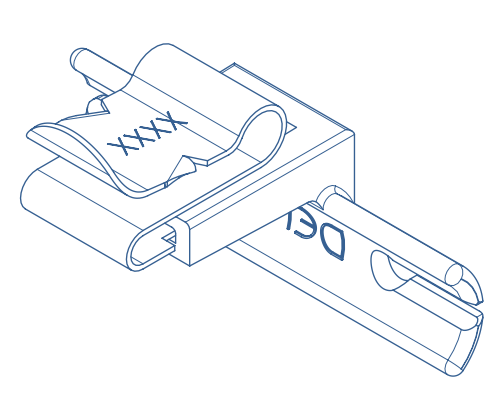
SYMBOL DEFINITION		MISSING SYMBOLS		Revision Level			Revision Record		Changed	Date	Approved	Date
A DIMENSION WITHOUT AN INSPECTION REPORT SYMBOL  DOES NOT REQUIRE INSPECTION. IT MAY BE CONTROLLED ON THE INDIVIDUAL COMPONENT DRAWING.		TOTAL NO. OF INSPECTIONS REQUIRED	NO MISSING SYMBOL NUMBERS	Drawing	State	Part	SEE ECN#	014346	NHK	03/14/18	EJH	03/14/18
		LAST NO. USED		56.0	Design Release	-						



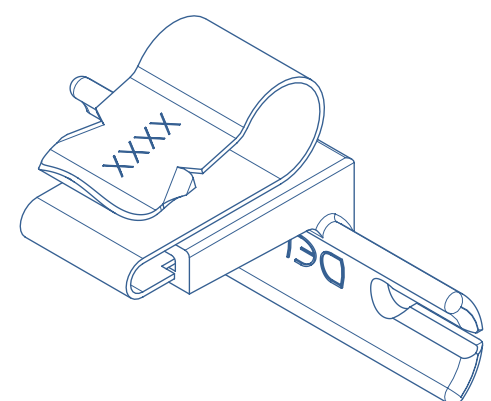
ISOMETRIC VIEW



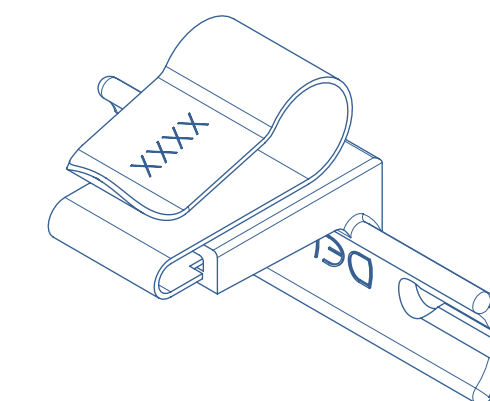
ISOMETRIC VIEW



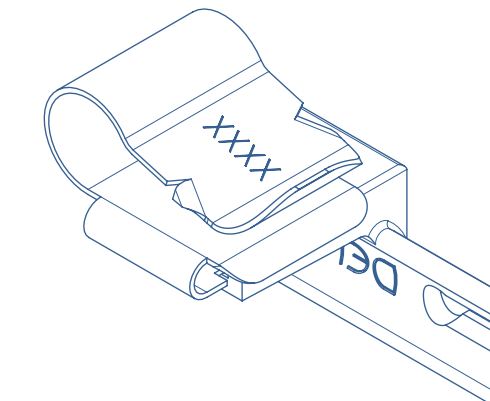
ISOMETRIC VIEW



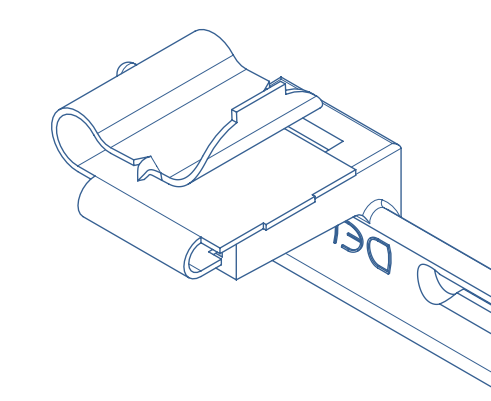
ISOMETRIC VIEW



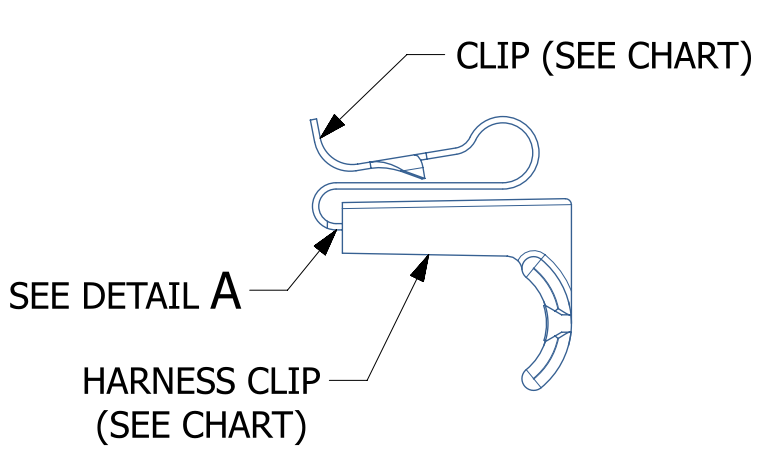
ISOMETRIC VIEW



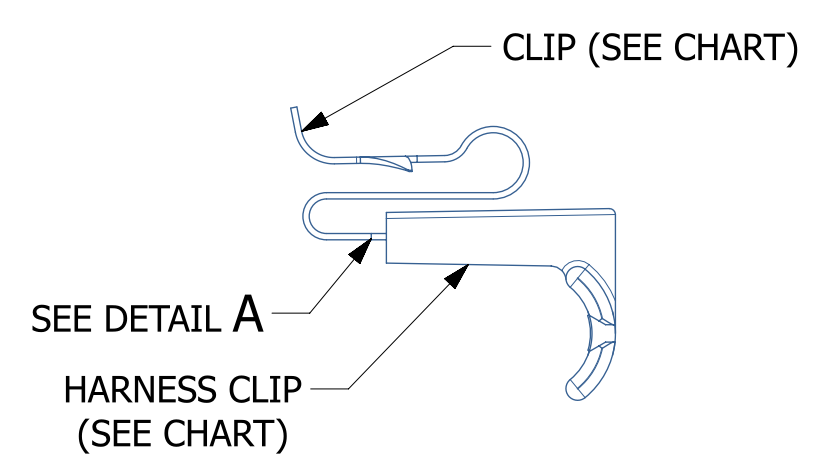
ISOMETRIC VIEW



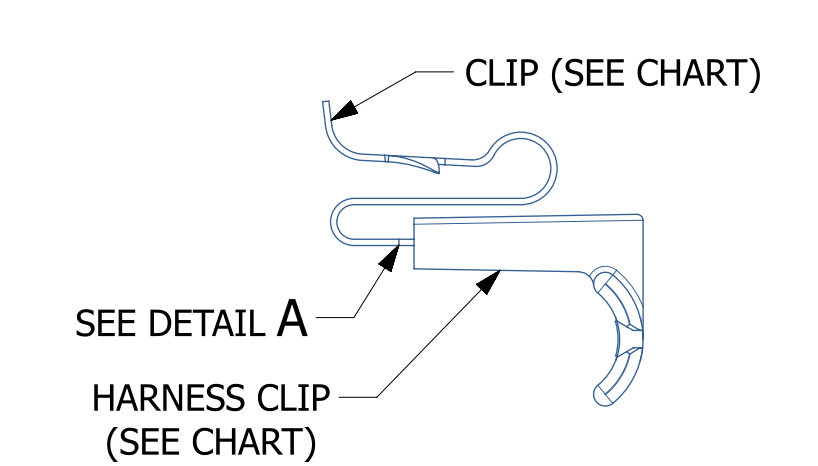
ISOMETRIC VIEW



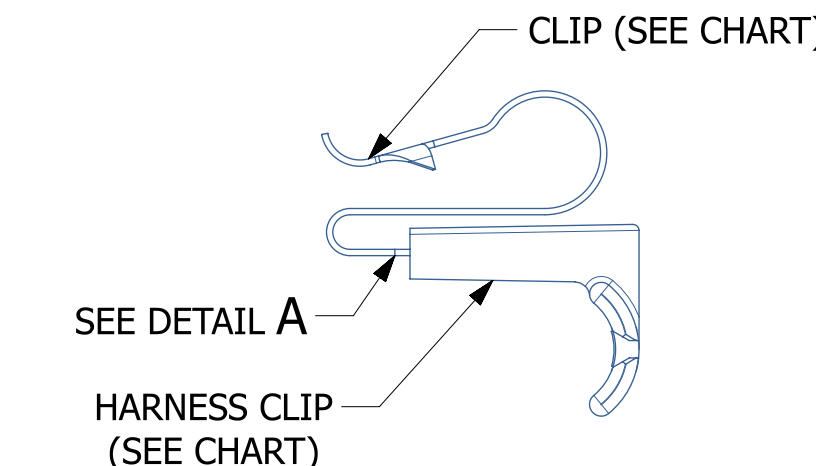
TYPE 101



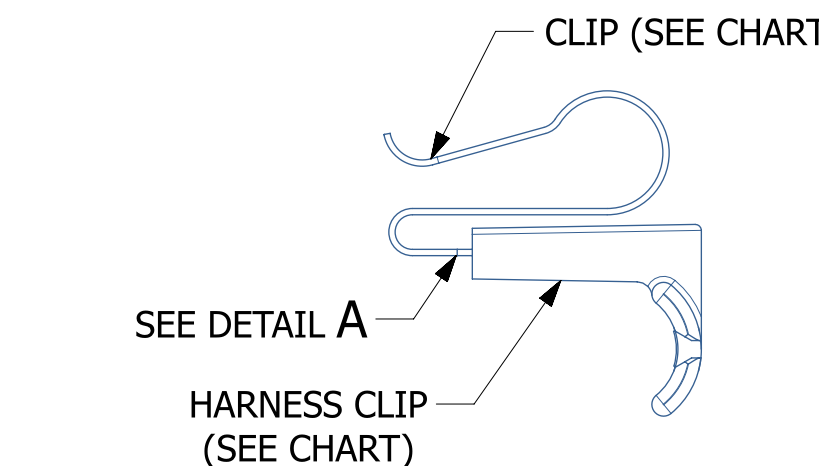
TYPE 102



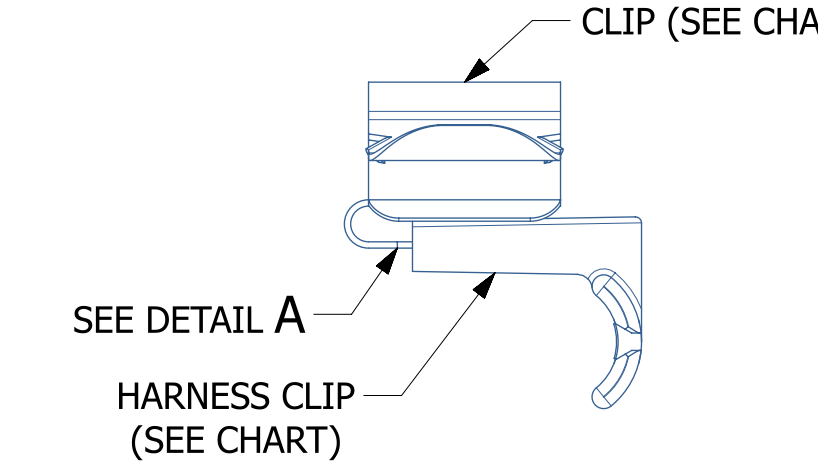
TYPE 103



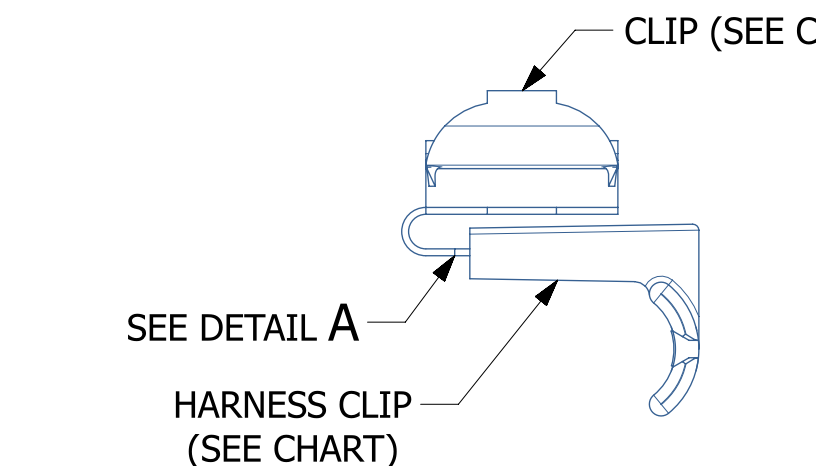
TYPE 104



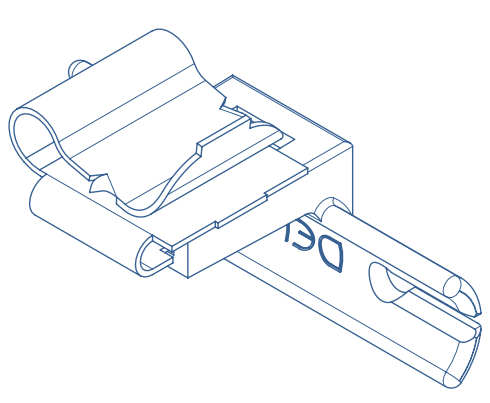
TYPE 105



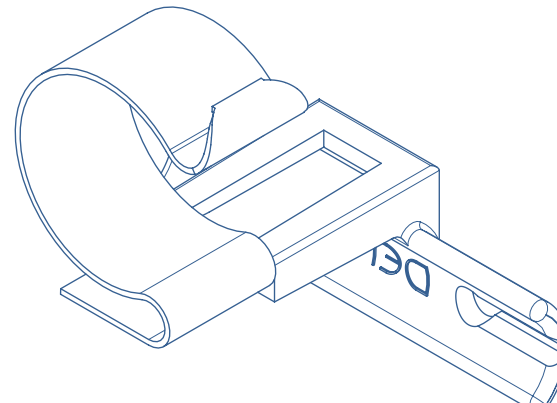
TYPE 106



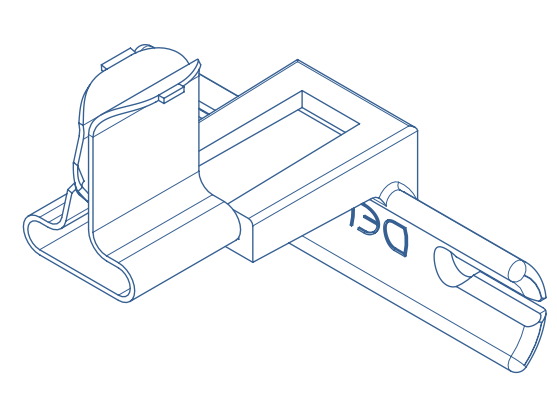
TYPE 107



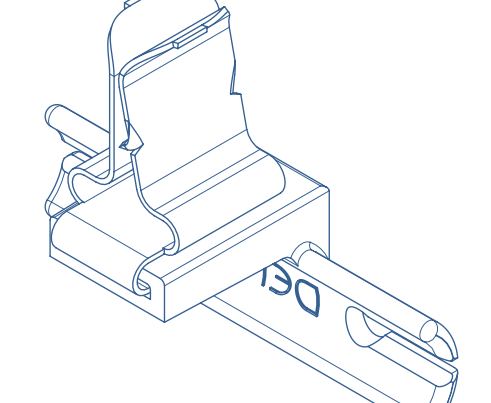
ISOMETRIC VIEW



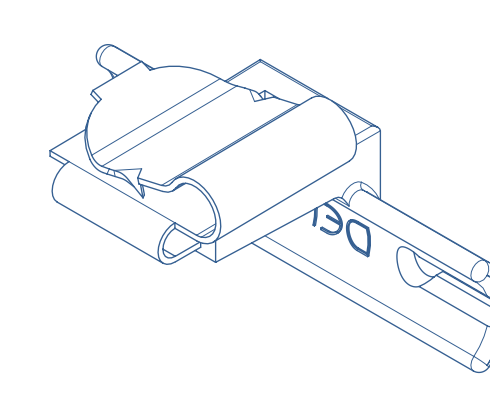
ISOMETRIC VIEW



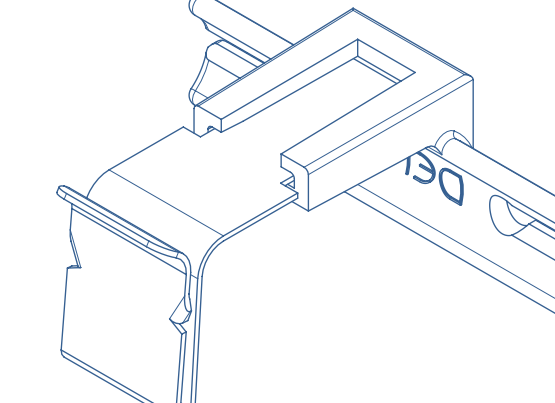
ISOMETRIC VIEW



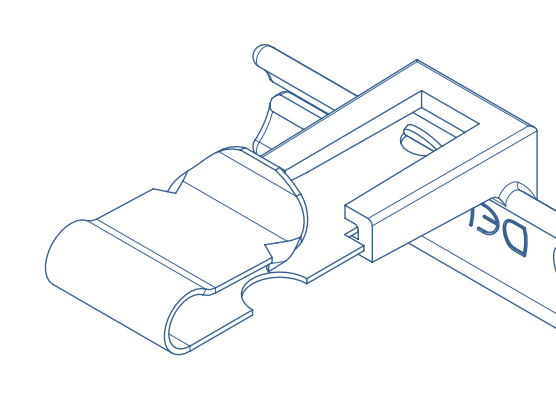
ISOMETRIC VIEW



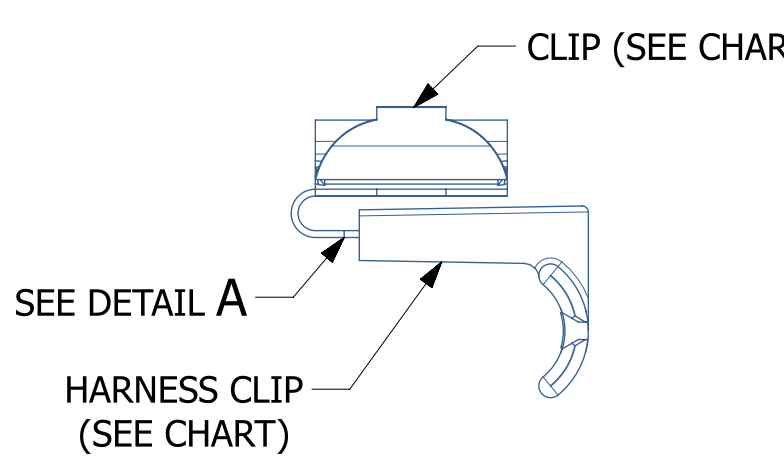
ISOMETRIC VIEW



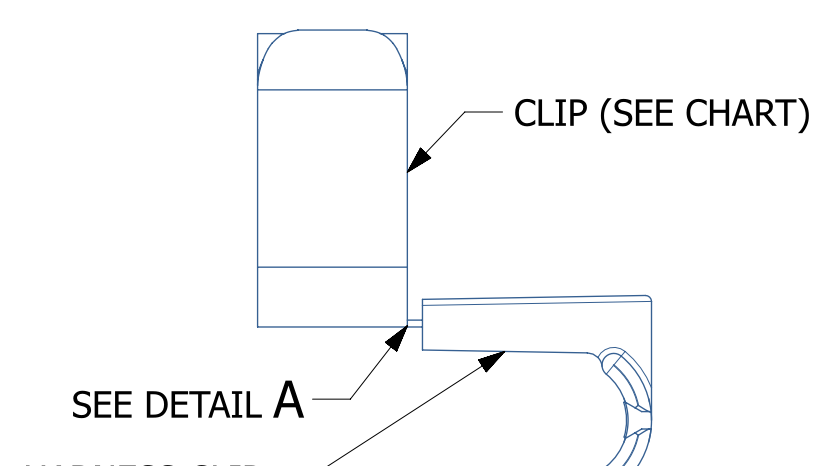
ISOMETRIC VIEW



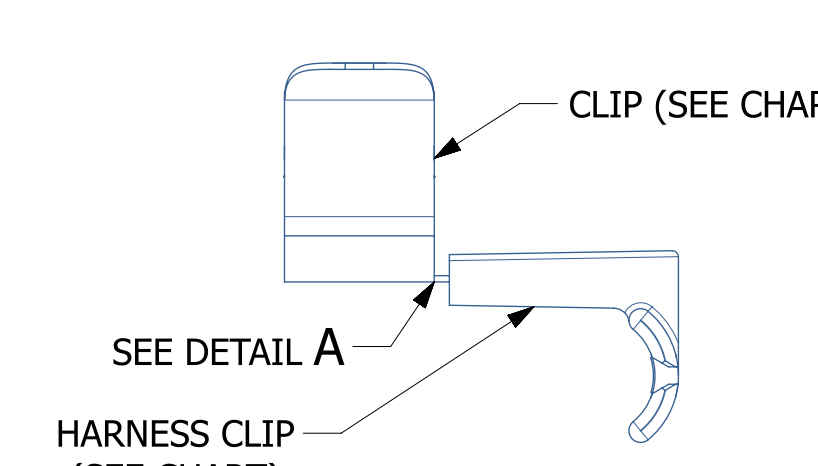
ISOMETRIC VIEW



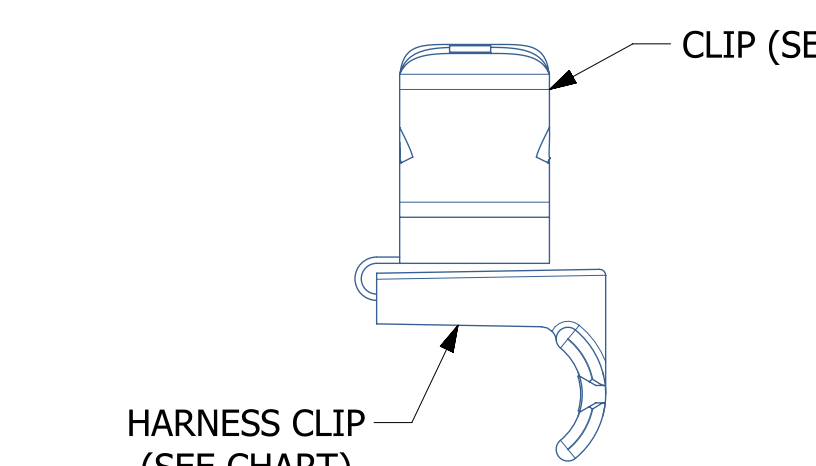
TYPE 108



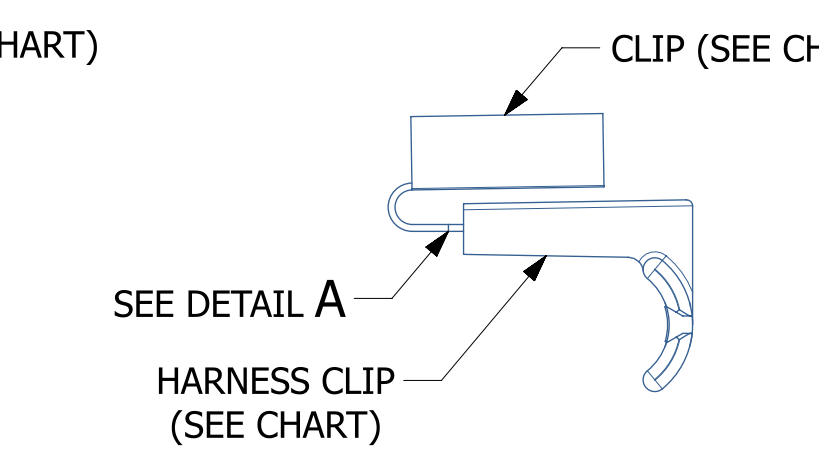
TYPE 109



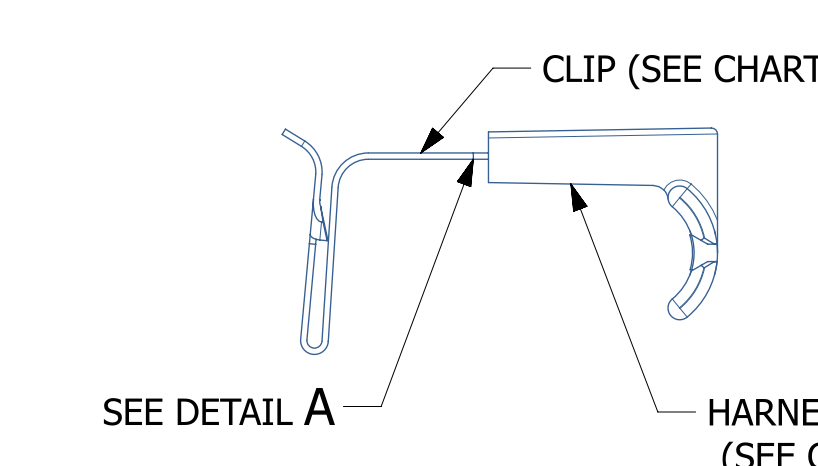
TYPE 110



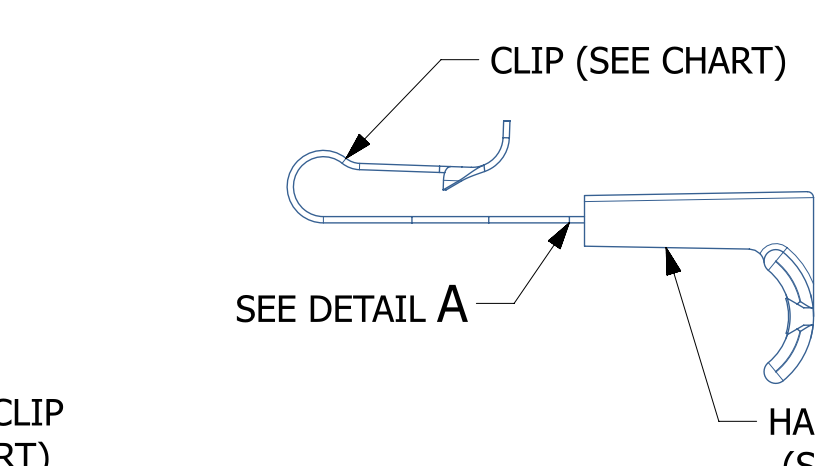
TYPE 111



TYPE 112



TYPE 113



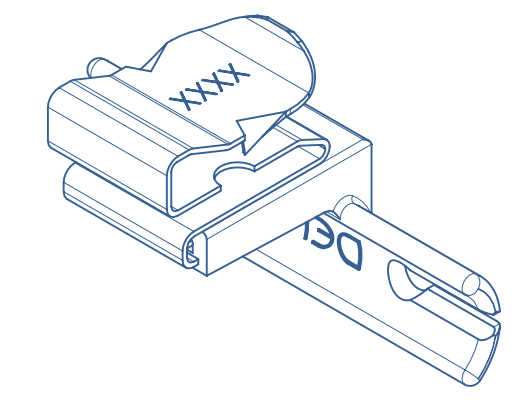
TYPE 114

NOTES:

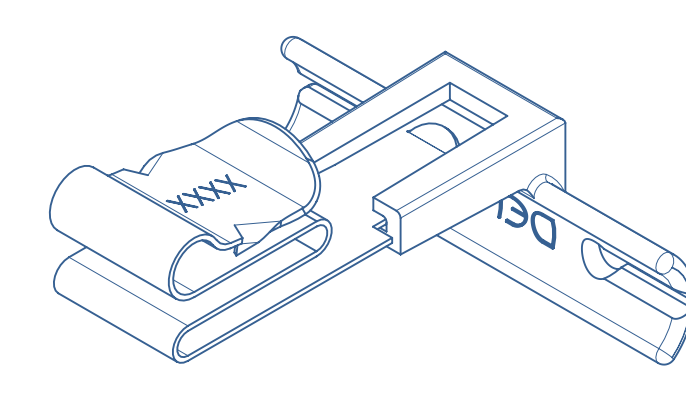
- UNLESS OTHERWISE SPECIFIED AND/OR INDICATED:
DIMENSIONS ARE TO FACE OF VIEW SHOWN AND AUTOMATICALLY ROUNDED BY COMPUTER FOR INSPECTION (SEE MATH MODEL FOR PRECISE DIMENSIONS). FOR ALL OTHER DIMENSIONS NOT SHOWN, BUT REQUIRED FOR TOOL BUILD, SEE MATH MODEL FOR PRECISE TOOL PATH DATA.
- OBsolete PART(S) CONTAIN A HEXAVALENT CHROME COATING. DO NOT USE THIS PART ON NEW APPLICATIONS. HEXAVALENT CHROME IS A BAND SUBSTANCE. IF THIS PART IS REQUIRED FOR CURRENT OR FUTURE BUSINESS OR FOR SERVICE REQUIREMENTS, CONTACT THE PRODUCT LINE ENGINEER OF MATERIALS ENGINEERING TO GET A NEW PART THAT IS FREE FROM HEXAVALENT CHROME. JULY 1, 2007 FOR SERVICE REQUIREMENTS.
- THIS PRODUCT IS NOT CATEGORIZED AS AN APPEARANCE ITEM. MINOR IMPERFECTIONS INCLUDING, BUT NOT LIMITED TO, FLOW MARKS, COLOR BLEMISHES, GATE VESTIGES, AND SOFT FLASH THAT DO NOT AFFECT THE FIT, FORM, OR FUNCTION OF THE PART ARE PERMISSIBLE PER SPEC: S-QA-10.3-9
- CLIP SHALL WITHSTAND 6.7 LBS (30N) MINIMUM DISENGAGE FORCE FROM CLIP SLOT OF HARNESS CLIP.

ASSEMBLY PROCESS NOTES:

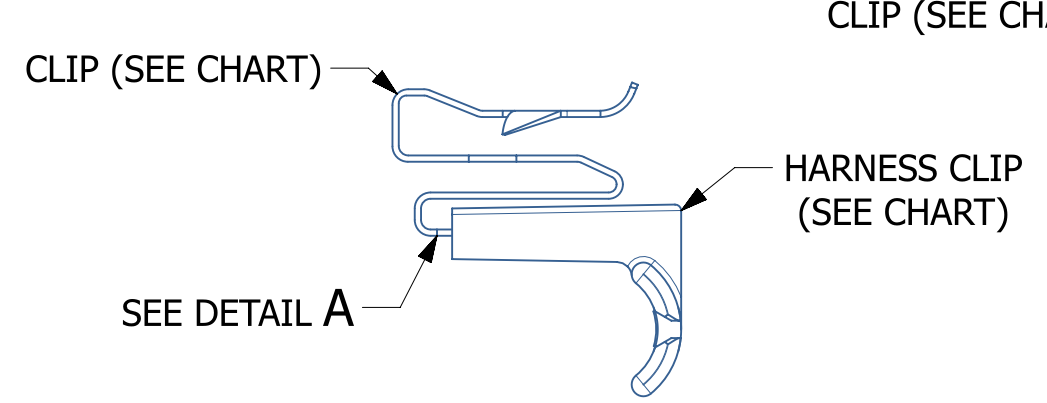
- ASSEMBLE SPRING CLIP SECURELY IN HARNESS CLIP. SEE APPLICABLE DETAIL A



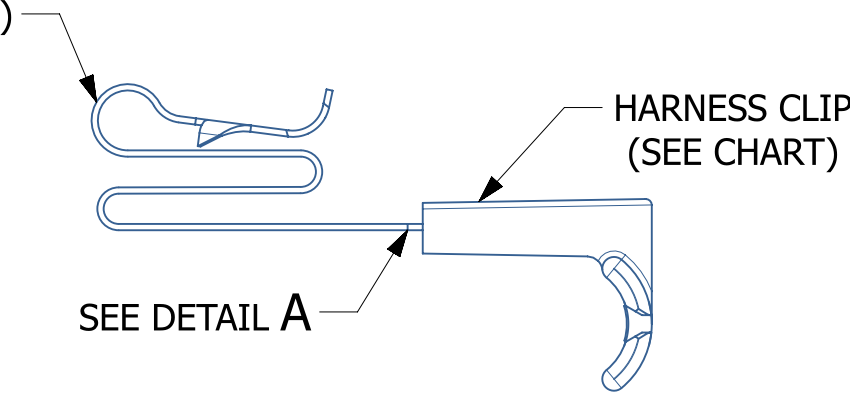
ISOMETRIC VIEW



ISOMETRIC VIEW

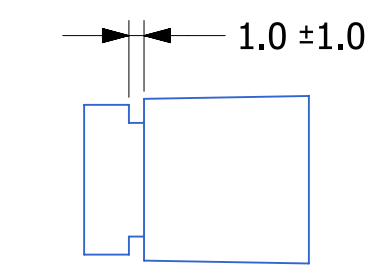


56.0 TYPE 115



56.0 TYPE 116

TYPE	ASSY	PART NUMBER	HARNESS CLIP	CLIP	COLOR
101	17-1051	15497251	12020405	15495804	MED GRAY
101	17-1052	15488183	12020405	15495795	MED GRAY
101	17-1079	13736562	12020405	15495806	MED GRAY
101	17-1080	13528774	12020405	15495805	MED GRAY
102	17-1083	15497248	12020405	15495802	MED GRAY
103	17-1091	15497225	12020405	15495798	MED GRAY
104	17-1087	15497237	12020405	15495960	MED GRAY
105	17-1094	15436716	12020405	15436682	MED GRAY
106	17-1082	15497250	12020405	15495793	MED GRAY
107	17-1089	15497233	12020405	15495810	MED GRAY
108	17-1092	15497216	12020405	15495808	MED GRAY
109	17-1081	15499831	12020405	15499841	MED GRAY
110	17-1090	15497232	12020405	15495827	MED GRAY
111	17-1084	15497245	12020405	15495830	MED GRAY
111	17-1088	15497235	12020405	15495830	MED GRAY
112	17-1086	15497241	12020405	15495811	MED GRAY
113	17-1085	15497242	12020405	15495783	MED GRAY
114	17-1093	15442273	12020405	15439460	MED GRAY
115	18-0400	13536074	12020405	13532193	MED GRAY
116	18-0402	15497258	12020405	15489025	MED GRAY
116	18-0405	15497255	12020405	15495803	MED GRAY



DETAIL A
FOR APPLICABLE METAL CLIP TYPES

DIMENSIONS ENCLOSED IN () INDICATE REFERENCE DIMENSIONS AND NO TOLERANCE LIMITS ARE ESTABLISHED.

Material	Units	millimeters	The copyright of this drawing is reserved by HellermannTyton. It is issued on condition that it is not reproduced, copied or disclosed to a third party, either wholly or in part, without the consent of HellermannTyton.	Drawn	RJE	07/17/17	Article/Type-No	SEE CHART	Scale	2:1	
Approved	EJH	07/17/17		Title		TAXI ASM MOUN CLIP TAPE ON		Project Number		17-1051	
Tolerance defined on each dimension			HellermannTyton		Drawing-No		PRODUCTION : Phase		Format		D
			North America Email: corp@hamericas.com Web: www.hellermann-tyton.com		17-1051-001-CSU		Sheet		1 / 1		