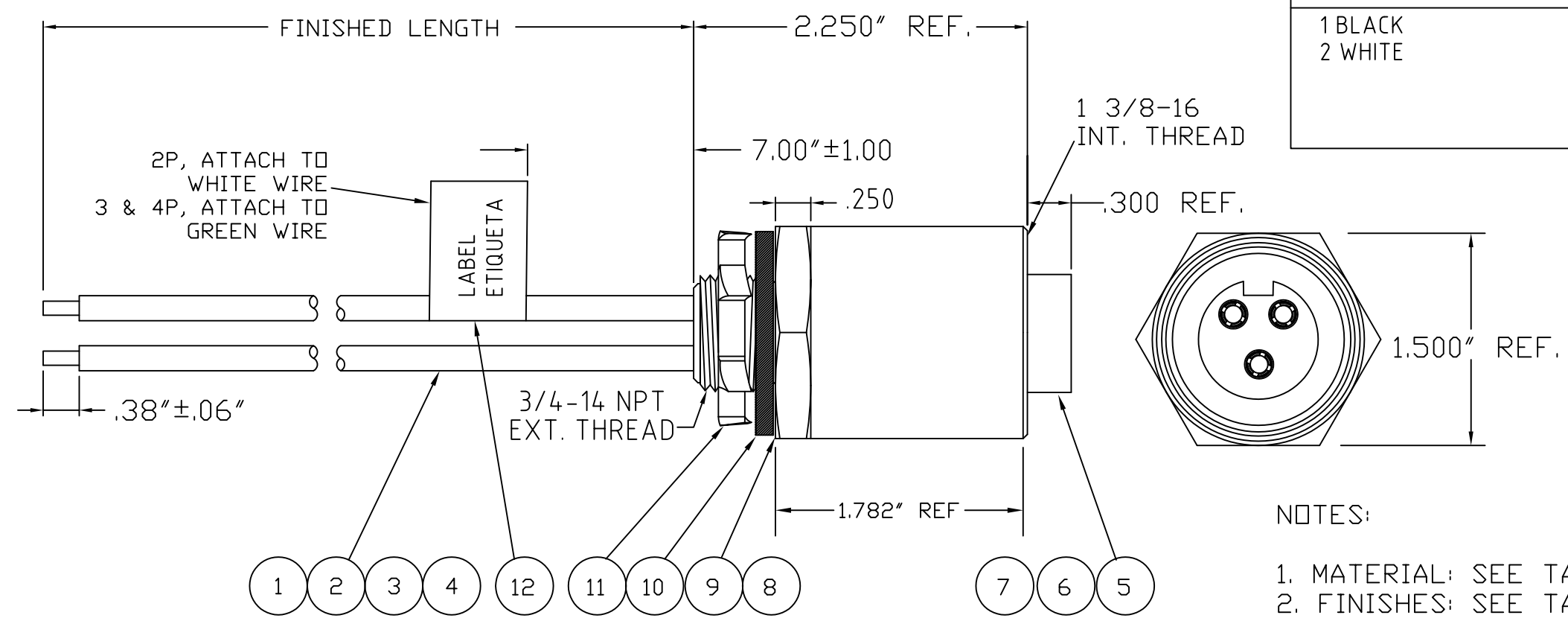
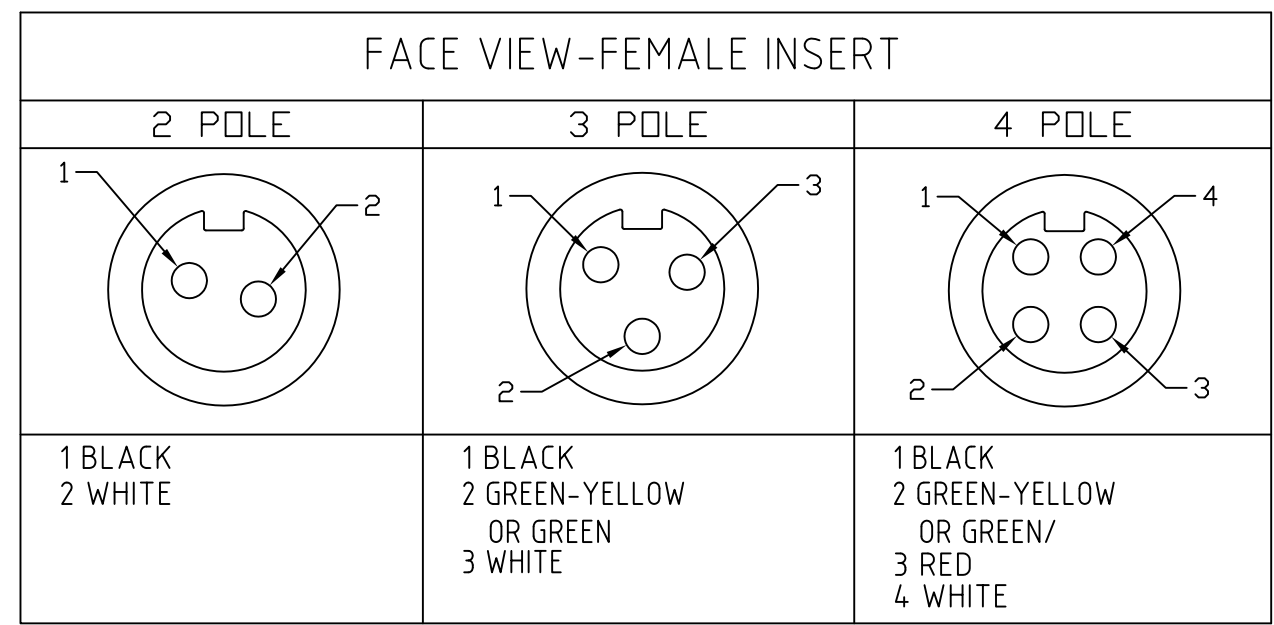


MATERIAL NUMBER	ENGINEERING NUMBER	FINISHED LENGTH
1300660132	CR3C00A29M006	0.6 Meters
1300660264	CR4C00A29M020	2 Meters



- NOTES:
1. MATERIAL: SEE TABLE
 2. FINISHES: SEE TABLE
 3. ELECTRICAL SPECIFICATIONS:
2 & 3 POLE- 600 VOLTS 25 AMPS
4 POLE- 600 VOLTS 20 AMPS
 4. ASSEMBLY IS ROHS COMPLIANT
 5. ASSEMBLY IS UL LISTED PER UL 2238, CATEGORY CYJV

12	1	FLAG LABEL	VINYL	YELLOW
11	1	3/4-14 NPT LOCKNUT	STEEL	ZINC PLATE
10	1	GASKET	NEOPRENE	BLACK
9	A/R	EPOXY HARDENER		BLACK
8	A/R	EPOXY RESIN		BLACK
7	1	RECEPTACLE SHELL	ALUMINUM ALLOY	CLEAR ANODIZED
6	1	FEMALE INSERT 2P, 3P OR 4P	PVC	BLACK
5	2, 3 OR 4	SOCKET CONTACT	COPPER ALLOY	GOLD PLATED
4	A/R	#12-1 WIRE PVC RED	PVC JACKET	RED
3	A/R	#12-1 WIRE PVC GREEN	PVC JACKET	GREEN
2	A/R	#12-1 WIRE PVC WHITE	PVC JACKET	WHITE
1	A/R	#12-1 WIRE PVC BLACK	PVC JACKET	BLACK
ITEM	QTY	DESCRIPTION	MATERIAL	FINISH

ADDED 2P & 4P EC NO: WNA2010-0497 DRWN: KJOZWK CHKD: LHARTMAN APPR: JFMURPHY 2010/03/29	2/9/10 DESCRIPTION	QUALITY SYMBOLS	GENERAL TOLERANCES (UNLESS SPECIFIED) <table border="1"> <thead> <tr> <th></th> <th>mm</th> <th>INCH</th> </tr> </thead> <tbody> <tr> <td>4 PLACES</td> <td>±---</td> <td>±---</td> </tr> <tr> <td>3 PLACES</td> <td>±---</td> <td>±.005</td> </tr> <tr> <td>2 PLACES</td> <td>±---</td> <td>±.01</td> </tr> <tr> <td>1 PLACE</td> <td>±---</td> <td>±---</td> </tr> </tbody> </table>		mm	INCH	4 PLACES	±---	±---	3 PLACES	±---	±.005	2 PLACES	±---	±.01	1 PLACE	±---	±---	DIMENSION STYLE	SCALE	DESIGN UNITS	THIRD ANGLE PROJECTION QC FEMALE 12 AWG 3/4" NPT RECPT CRXC00A29XXXX MOLEX INCORPORATED
				mm	INCH																	
		4 PLACES		±---	±---																	
		3 PLACES		±---	±.005																	
2 PLACES	±---	±.01																				
1 PLACE	±---	±---																				
▽=0 ▽=0	INCH	----	INCH	DRAWN BY: MODELL DATE: 2008/09/10 CHECKED BY: RDEROSS DATE: 2008/09/10 APPROVED BY: JFMURPHY DATE: 2010/03/29	MATERIAL NO. SEE TABLE DOCUMENT NO. SD-130066-016 SHEET NO. 1 OF 1																	
DRAFT WHERE APPLICABLE MUST REMAIN WITHIN DIMENSIONS	DIMENSION STYLE: INCH SCALE: ---- DESIGN UNITS: INCH	MOLEX	THIS DRAWING CONTAINS INFORMATION THAT IS PROPRIETARY TO MOLEX INCORPORATED AND SHOULD NOT BE USED WITHOUT WRITTEN PERMISSION																			
SIZE B																						