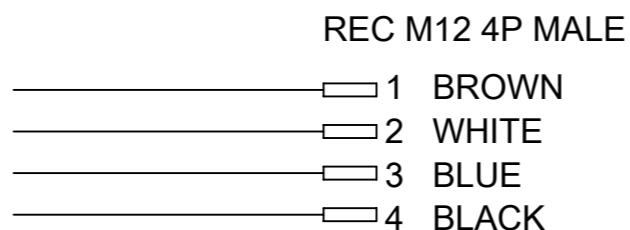


NOTES:

VOLTAGE RATING: 250 V
 AMPERAGE RATING: 4 A
 INSULATION RESISTANCE: 10⁸ Ω MIN.
 MATING CYCLES: MIN. 100
 PROTECTION: IP67
 OPERATING TEMPERATURE: -25°C TO +85°C

WIRING DIAGRAM



PART No. MATRIX

8 R X U 2 6 X X X X X X

8R = M12 REC

Poles:
 4 = 4 Poles
 5 = 5 Poles
 8 = 8 Poles

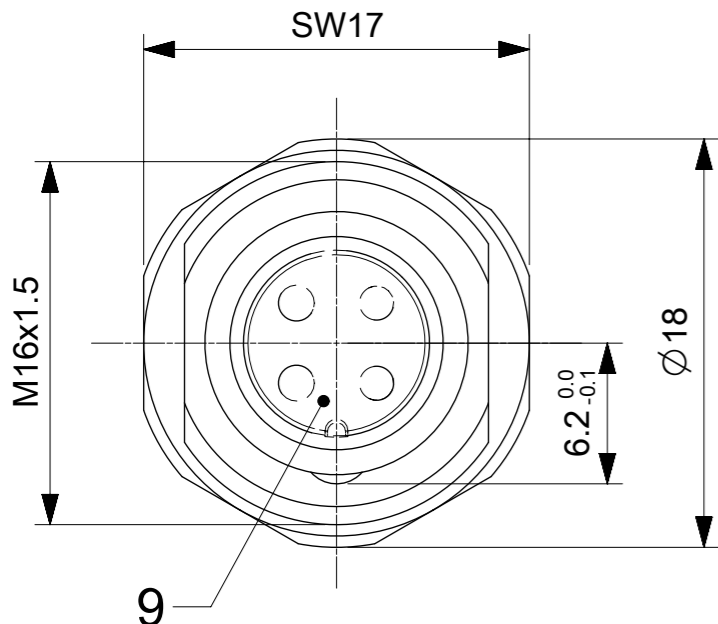
Shell Type

Wires
 E02 = 24AWG PVC
 E03 = 22AWG PVC
 A16 = 18AWG PVC

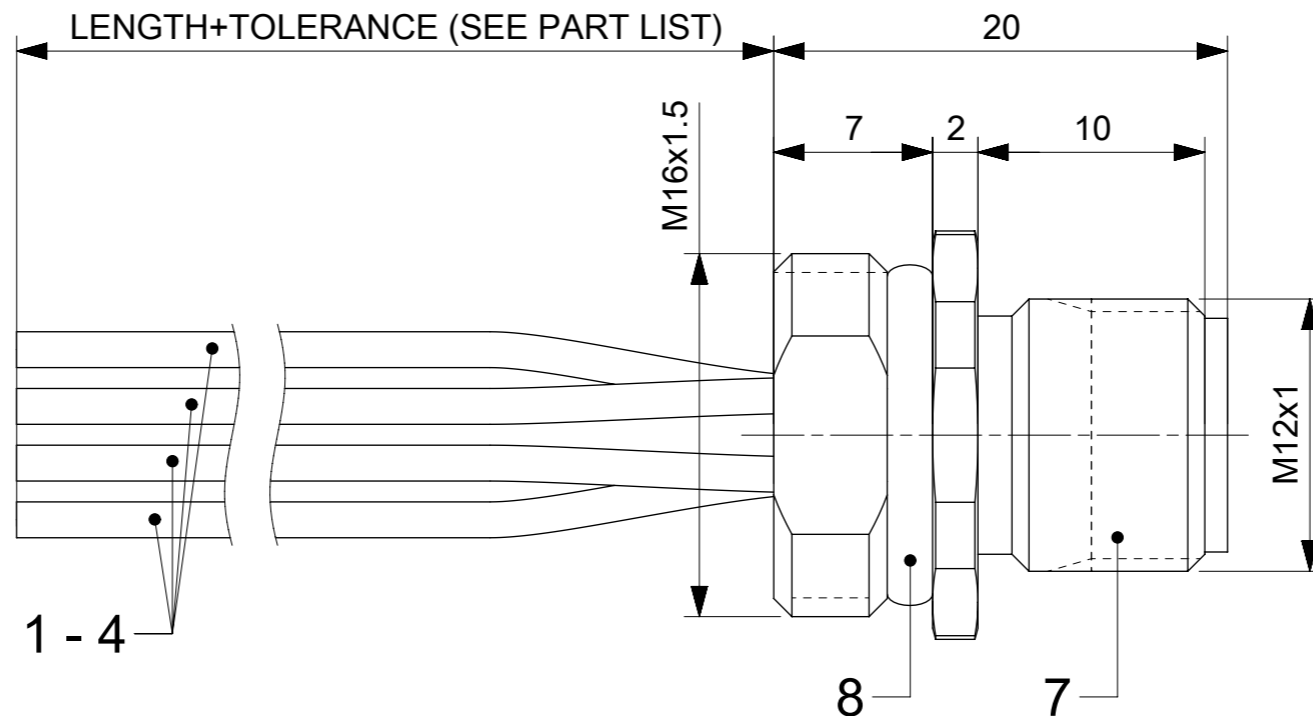
UNITS:
 M = METER
 C = CENTIMETER

Length
 Examples:
 005 = 0.5 unit
 010 = 1 unit
 100 = 10 units

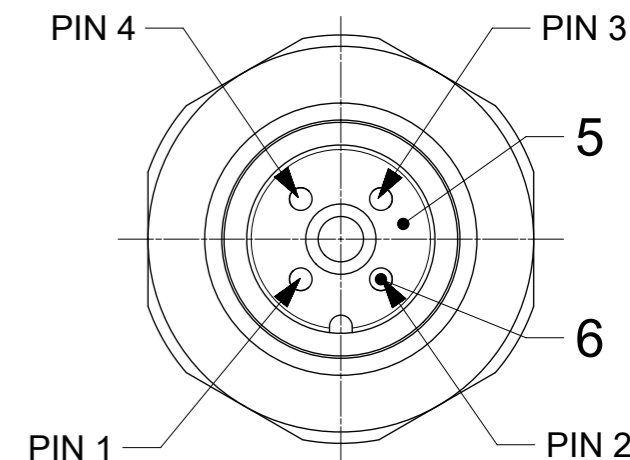
REC M12 4P MALE WIRES SIDE VIEW



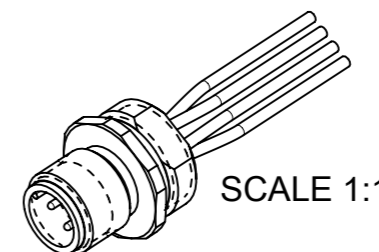
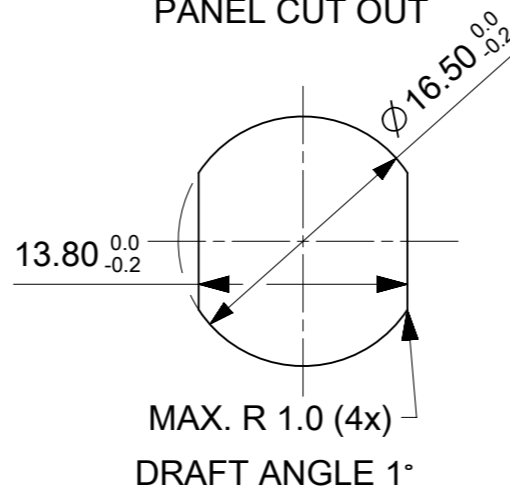
LENGTH+TOLERANCE (SEE PART LIST)



REC M12 4P MALE FRONT VIEW



RECOMMENDED PANEL CUT OUT



BILL OF MATERIALS

ITEM	QTY.	DESCRIPTION	MATERIAL	FINISH / COLOR
9	-	POTTING MATERIAL	WEVO RESIN	-
8	1	O-RING	NBR 70	BLACK
7	1	M12x1 M16x1.5 SHELL	BRASS	NICKEL PLATED
6	4	CONTACT	BRASS	GOLD OVER NICKEL PLATED
5	1	M12 4P MALE INSERT	DURETHAN B30S	-
4	-	WIRE 22AWG	PVC	WHITE
3	-	WIRE 22AWG	PVC	BLACK
2	-	WIRE 22AWG	PVC	BROWN
1	-	WIRE 22AWG	PVC	BLUE

PART LIST

MOLEX P/N	ENGINEERING No.	L+TOL.(mm)
1200705055	8R4U26E03C200	200 +19
1200708211	8R4U26E03C5003	500 +45

FUNCTIONAL SYMBOLS	THIS DRAWING CONTAINS INFORMATION THAT IS PROPRIETARY TO MOLEX ELECTRONIC TECHNOLOGIES, LLC AND SHOULD NOT BE USED WITHOUT WRITTEN PERMISSION	SCALE	CURRENT REV DESC: CONVERT TO NX, LAYOUT UPDATED
FA = 0	mm	3:1	
FE = 1	GENERAL TOLERANCES (UNLESS SPECIFIED)		
EV = 0	ANGULAR TOL ± 1.0°		
	4 PLACES ±		
	3 PLACES ±		
	2 PLACES ± 0.05		
	1 PLACE ± 0.3		
	0 PLACES ± 0.5		
DIVISIONAL SYMBOLS	DRAFT WHERE APPLICABLE MUST REMAIN WITHIN DIMENSIONS	THIRD ANGLE PROJECTION	DRAWING
			A3-SIZE
		SERIES	120070
		MATERIAL NUMBER	SEE PART LIST
		CUSTOMER	GENERAL MARKET
		DOCUMENT NUMBER	1200705055
		DOC TYPE	PSD
		DOC PART	000
		REVISION	A
		SHEET NUMBER	1 OF 1