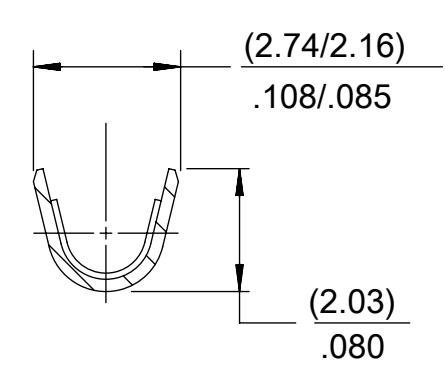
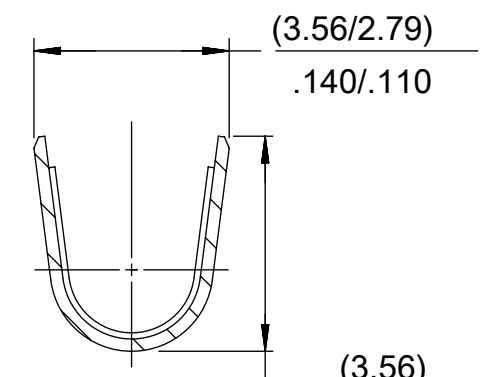


PART NO.	ENG. NO.
02-06-1101	1561-(P901)
02-06-1103	1561-(P901)L
02-06-5101	1561-(P561)
02-06-5102	1561-(P561)L
02-06-5108	1561-(P228)
02-06-5109	1561-(P228)L
02-06-5100	1561-(P550)
02-06-5103	1561-(P550)L
NOT TOOLED	1561-1(P901)L



SECT. "B-B"
SCALE:10X



SECT. "C-C"
SCALE:10X

LEGEND

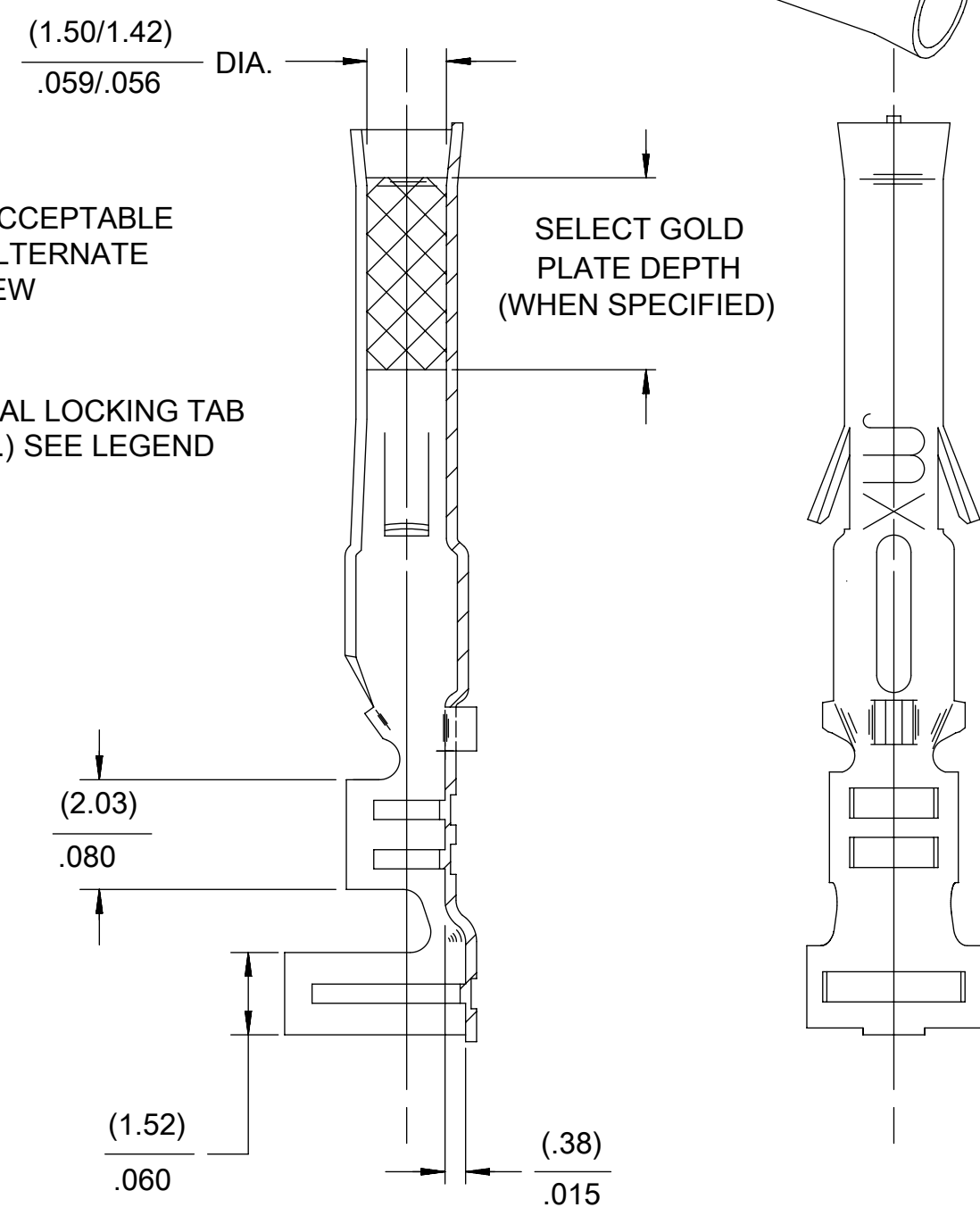
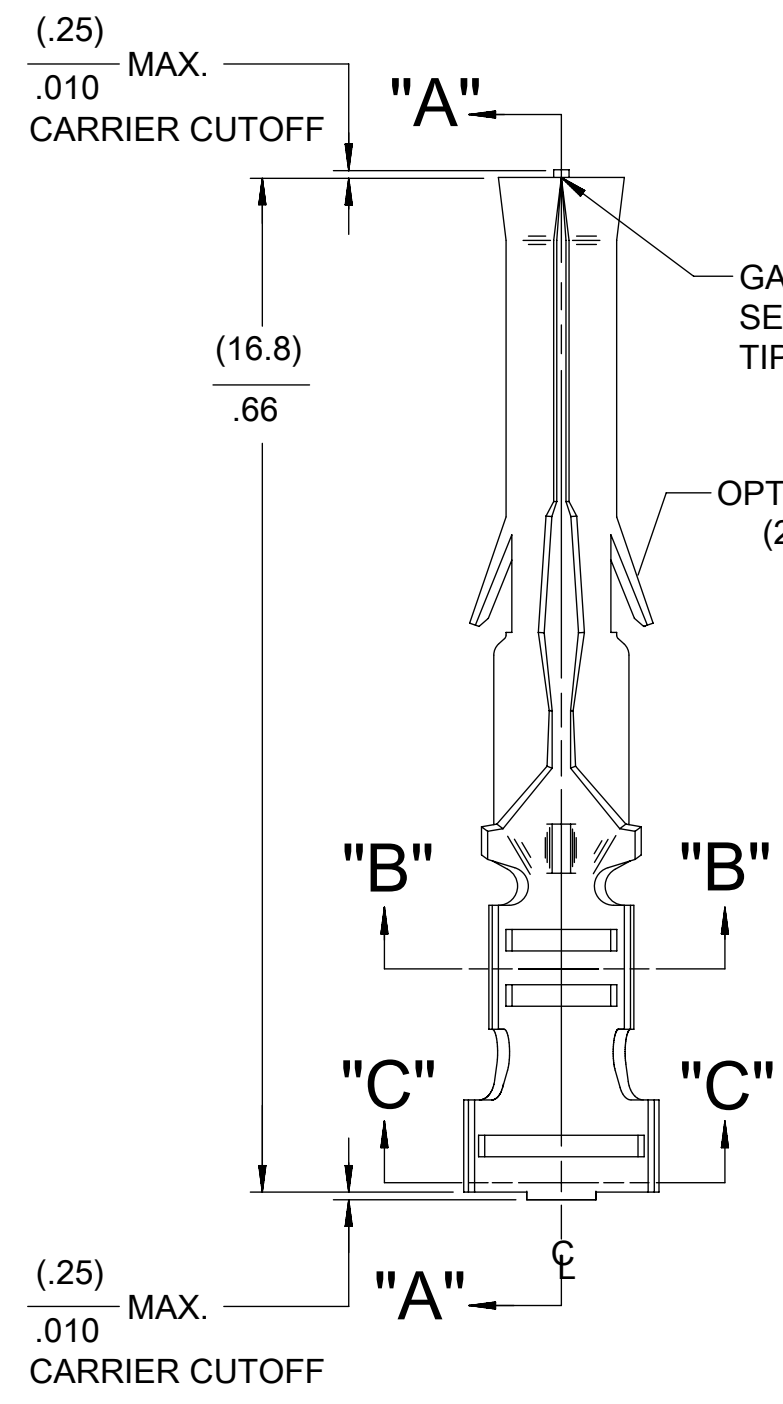
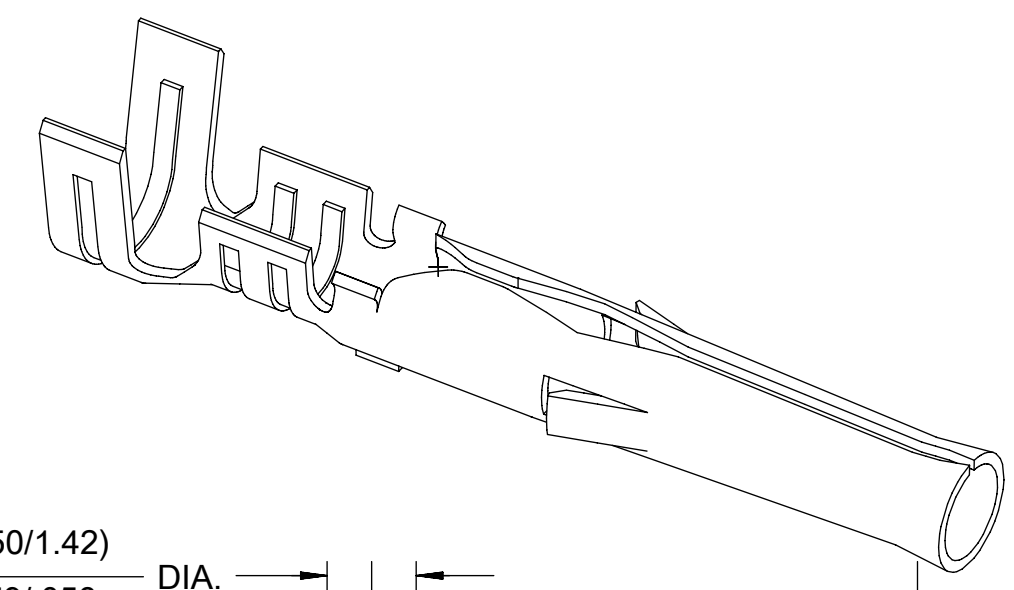
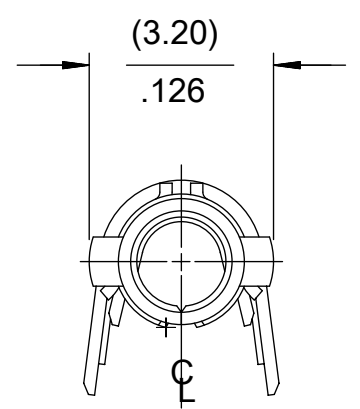
1561-*(****)*

BLANK=WITH LOCKING TABS
1=WITHOUT LOCKING TABS

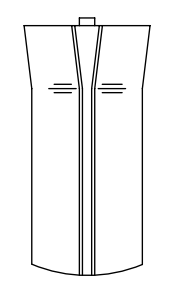
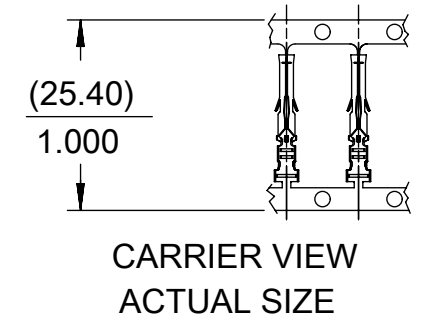
P=PREPLATE
BLANK=POSTPLATE

FORM
BLANK=CHAIN
L=LOOSE

FINISH CODE



SECT. "A-A"



ALTERNATE TIP GEOMETRY
SEE NOTE 7

- NOTES:
- MATERIAL: BRASS
 - FINISH:
 - 901 HOT TIN DIP (.00051)/.000020 MIN.
 - 228 SELECT GOLD PLATE (.00075)/.000030 MIN. IN CONTACT AREA, SELECT TIN. (.00250)/.000100 MIN. IN CRIMP AREA OVER (.00125)/.000050 MIN. NICKEL OVERALL.
 - 561 SELECT GOLD PLATE (.00076)/.000030 MIN. IN CONTACT AREA, OVER (.00127)/.000050 MIN. NICKEL OVERALL.
 - 591 SELECT GOLD PLATE (.00175)/.000050 MIN. IN CONTACT AREA, OVER (.00127)/.000050 MIN. NICKEL OVERALL WITH (.000025)/.000010 MAX. GOLD FLASH OVERALL.
 - 550 SELECT GOLD PLATE (.00038)/.000015 MIN. IN CONTACT AREA, OVER (.00076)/.000030 MIN. NICKEL OVERALL WITH (.000025)/.000010 MAX. GOLD FLASH OVERALL.
 - PRODUCT SPECIFICATION: PS-02-06.
 - PACKAGING INFORMATION:
 - LOOSE TERMINALS: PK-1190-003
 - CHAIN TERMINALS: 15610000-PK
 - TERMINAL FOR USE WITH (1.57)/.062 DIA. SERIES HOUSINGS AND WILL ACCEPT 18 THRU 24 AWG WIRE WITH (1.52/3.05)/.060/.120 INSULATION DIA.
 - PARTS CONFORM TO CLASS B REQUIREMENTS OF COSMETIC SPECIFICATION PS-45499-002.
 - TIP GEOMETRY IS TOOL DEPENDENT. EITHER GEOMETRY IS ACCEPTABLE.

FUNCTIONAL SYMBOLS	THIS DRAWING CONTAINS INFORMATION THAT IS PROPRIETARY TO MOLEX ELECTRONIC TECHNOLOGIES, LLC AND SHOULD NOT BE USED WITHOUT WRITTEN PERMISSION			
	DIMENSION UNITS	SCALE	CURRENT REV DESC: OBSOLETE PART NUMBER AS PER PCN#509988	
$\frac{F}{A} = 0$	MM/IN	NTS	EC NO: 704776 DRWN: SUGEEB CHK'D: GGA APPR: GGA 2022/03/24 2022/05/24 2022/05/24	
$\frac{F}{C} = 0$	GENERAL TOLERANCES (UNLESS SPECIFIED)			
$\frac{F}{P} = 0$				
DIVISIONAL SYMBOLS				
			INITIAL REVISION:	DOCUMENT NUMBER
			DRWN: GEW	SD-1561-X
			APPR: GWF	DOC TYPE
			1991/02/19	PSD
			1991/02/19	001
			THIRD ANGLE PROJECTION	DOC PART
			DRAFT WHERE APPLICABLE MUST REMAIN WITHIN DIMENSIONS	AP4
			DRAWING	SHEET NUMBER
			C-SIZE	1 OF 1
			SERIES	
			1561	
			MATERIAL NUMBER	
			SEE TABLE	
			CUSTOMER	
			GENERAL MARKET	