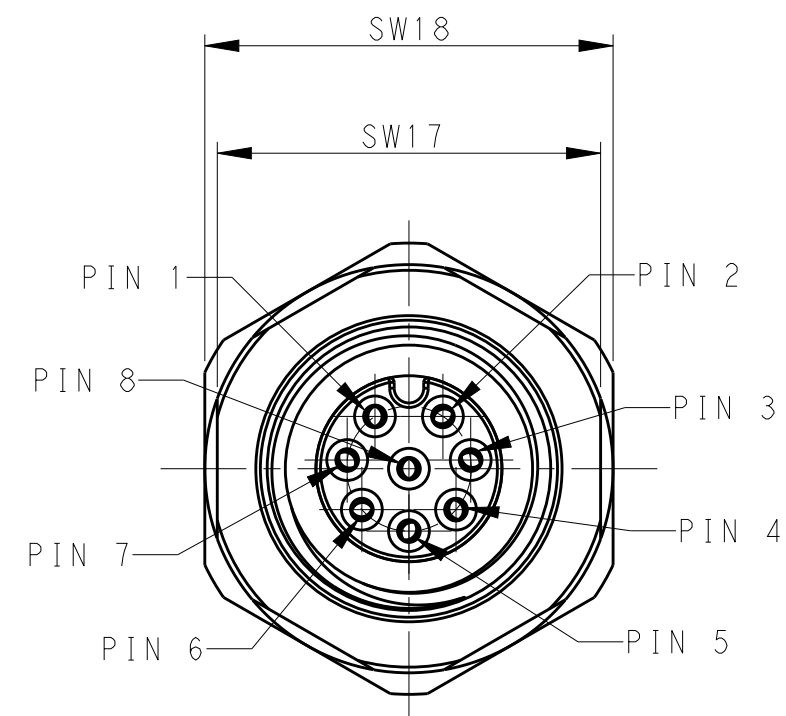
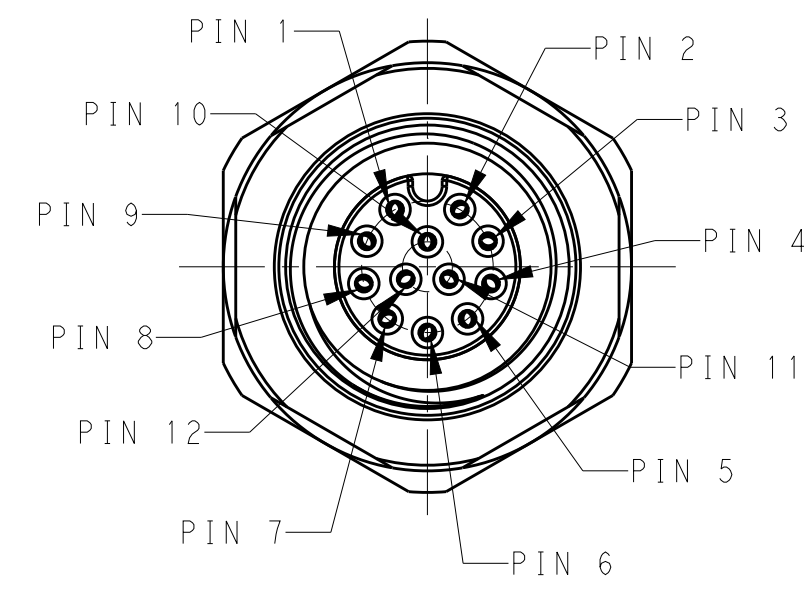
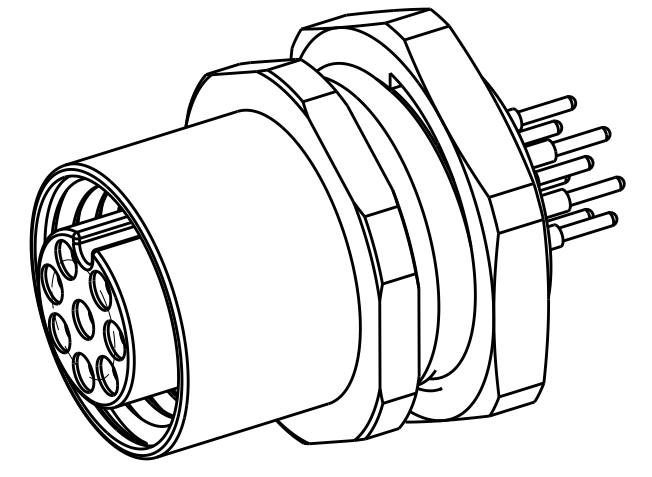
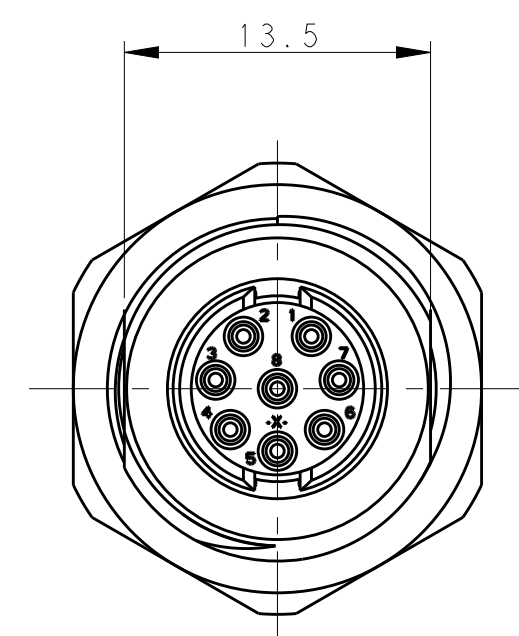
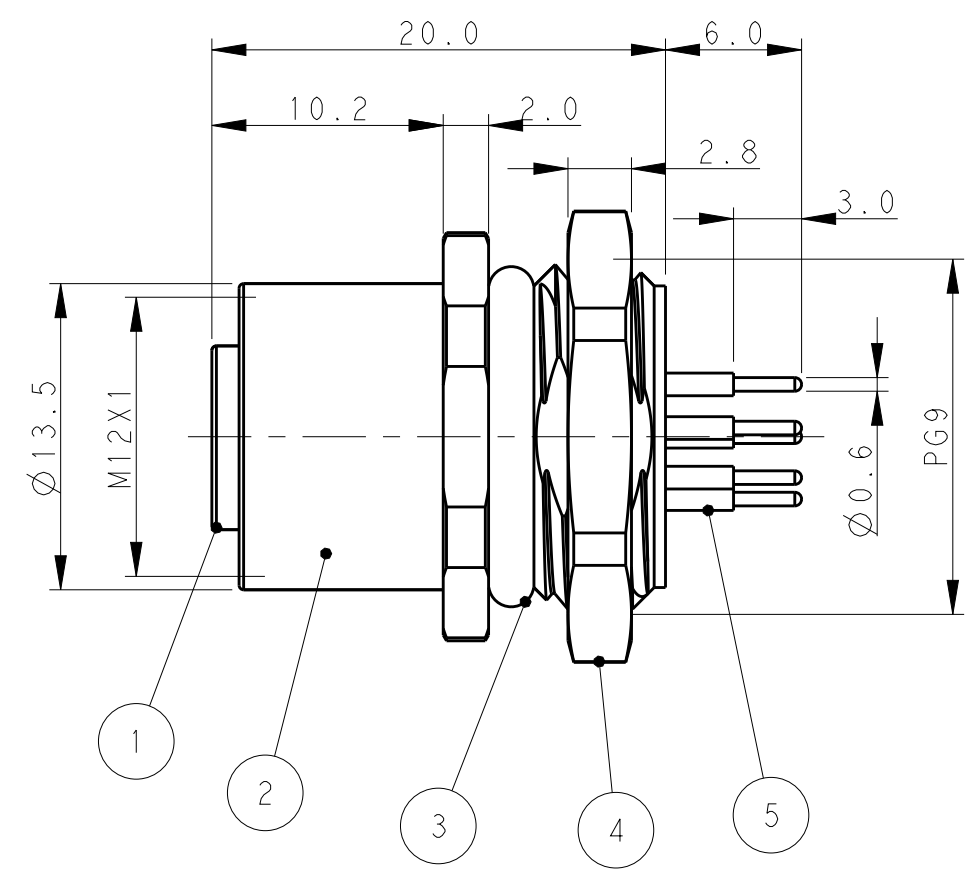


THIS DRAWING IS UNPUBLISHED. RELEASED FOR PUBLICATION
 © COPYRIGHT copyright.d8Te- ALL RIGHTS RESERVED.

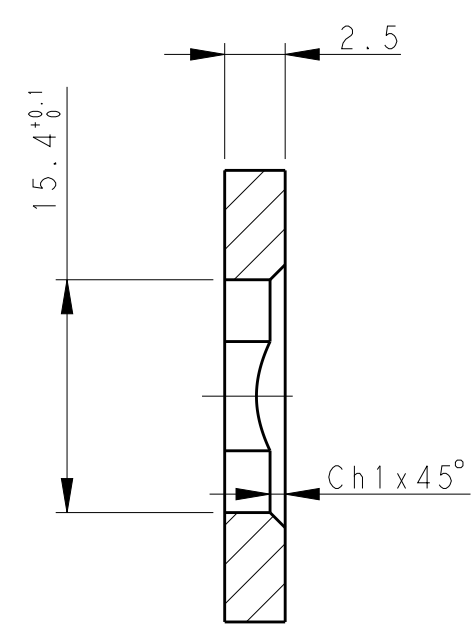
REVISIONS					
P	LTR	DESCRIPTION	DATE	DWN	APVD
	A	INITIAL RELEASE	06JAN2018	G.W	C.W
	A1	ECR-18-003481	08MAR2018	G.W	C.W
	B	ECR-19-009136	27JUL2019	C.D	C.W



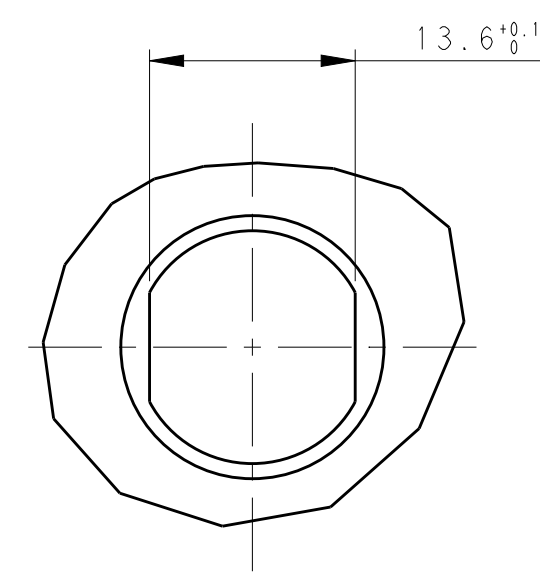
M12, FEMALE, 8POLES



M12, FEMALE, 12POLES



RECOMMENDED PANEL CUTOUT

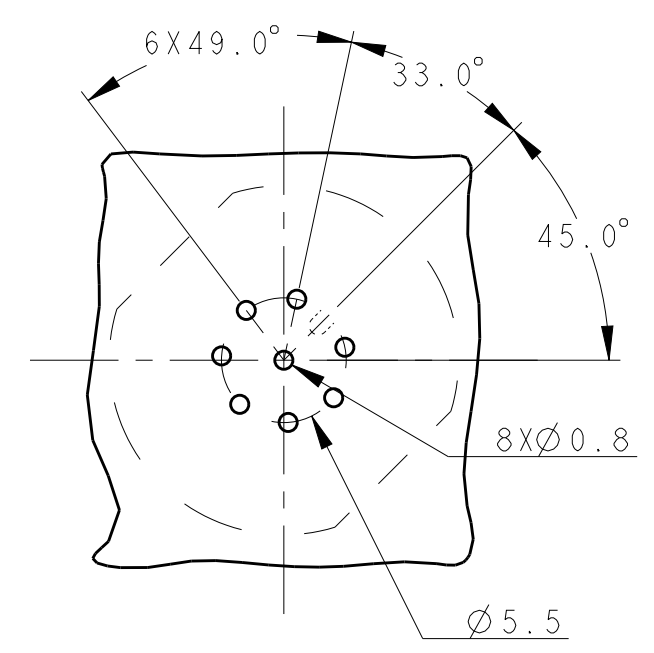


- NOTE:
1. TECHNICAL DATA: SEE TABLE 1
 2. RECOMMENDED MOUNT PANEL SEE DETAIL
 3. PACKAGING: 1 PIECE IN A BAG
 4. ALL DIMENSIONS ARE FOR NOMINAL REFERENCE ONLY UNLESS OTHERWISE STATED

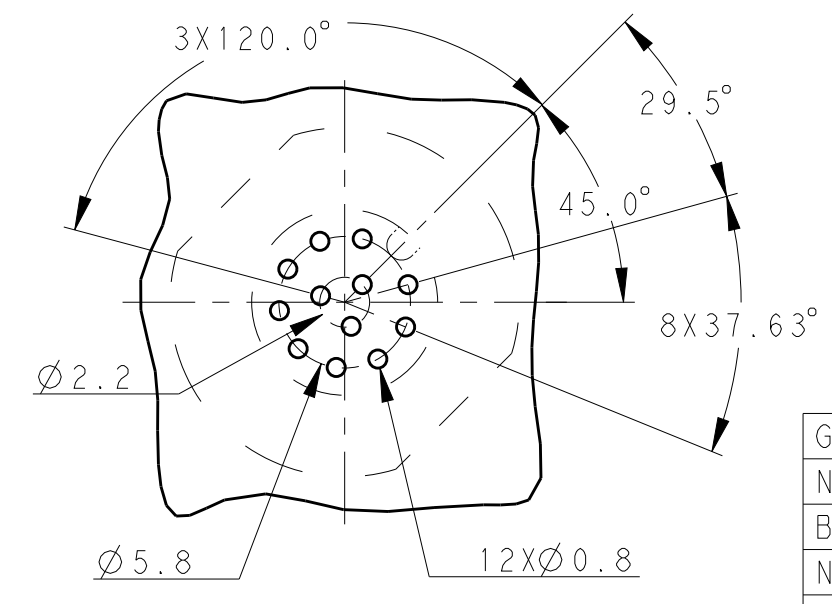
- 注释:
1. 技术参数, 见表1
 2. 推荐开孔尺寸详见如图所示
 3. 包装: 1PCS/袋
 4. 所有尺寸仅供参考, 除非另有说明

TABLE 1

TECHNICAL DATA	T4143012081-000	T4143012121-000
RATED VOLTAGE	30V	30V
RATED CURRENT	2A	1.5A
POLLUTION DEGREE	3	3
OVERVOLTAGE CATEGORY	II	II
MATERIAL GROUP	II	II
DEGREE OF PROTECTION	IP67	IP67
OPERATION TEMPERATURE	-40~85°C	-40~85°C



FOR 8POS.



FOR 12POS.

RECOMMENDED PCB LAYOUT

PART NUMBER	TYPE	POS.
T4143012121-000	RPC-M12-FB-12CON-PG9-LBU	12
T4143012081-000	RPC-M12-FB-8CON-PG9-LBU	8

OTHERS	MATERIAL	DESCRIPTION	ITEM
GOLD PLATED	COPPER ALLOY	CONTACT	5
NICKEL PLATED	COPPER ALLOY	METAL NUT	4
BLACK	RUBBER	O-RING	3
NICKEL PLATED	COPPER ALLOY	M12, FEMALE, METAL BODY	2
-	PA66	M12, FEMALE HSG	1

THIS DRAWING IS A CONTROLLED DOCUMENT.

DIMENSIONS:	TOLERANCES UNLESS OTHERWISE SPECIFIED:	DWN 06JAN2018 Gavin Wang	TE Connectivity
mm	0 PLC ± 1 PLC ± 2 PLC ± 3 PLC ± 4 PLC ±	CHK 06JAN2018 Kevin Huang	
	ANGLES ±	APVD 06JAN2018 Chris Wang	
MATERIAL	FINISH	PRODUCT SPEC 108-106140	
		APPLICATION SPEC 114-137144	NAME M12 PANEL MOUNT CONNECTOR A CODE, FEMALE, FRONT MOUNT PCB SOLDERING
		WEIGHT	SIZE A2
		CUSTOMER DRAWING	CAGE CODE -
			DRAWING NO. T4143012081000
			RESTRICTED TO -
			SCALE 3:1 SHEET 1 OF 1 REV B