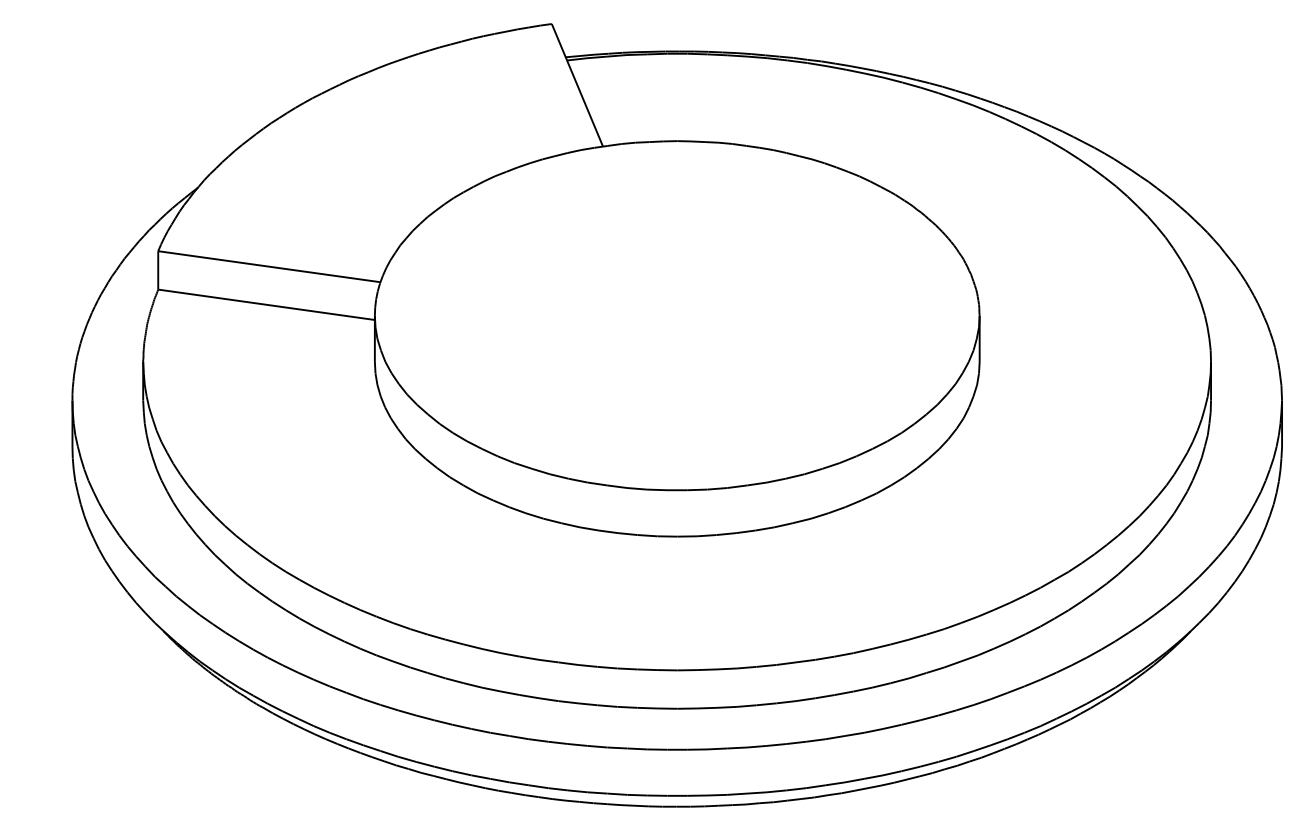
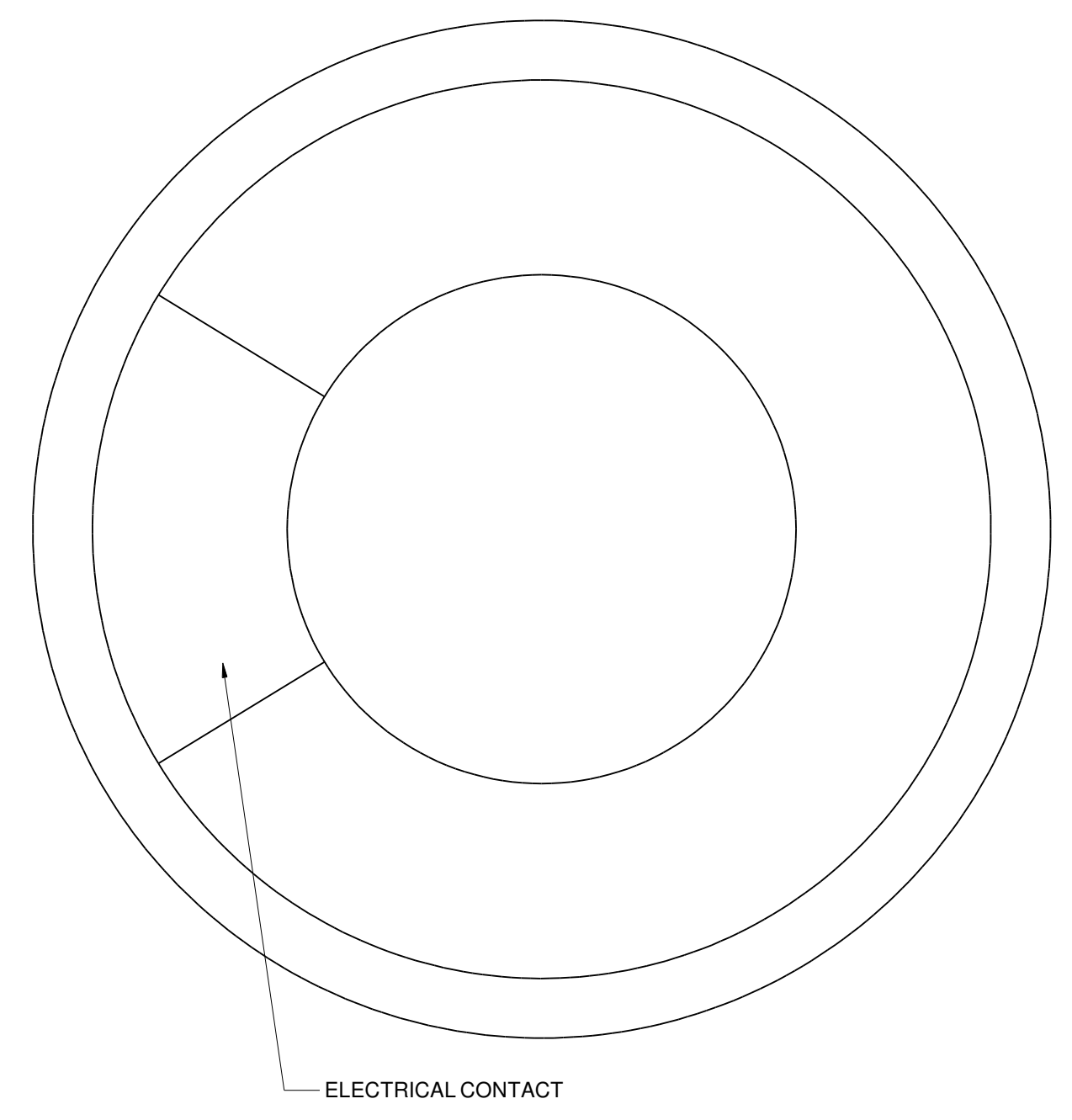
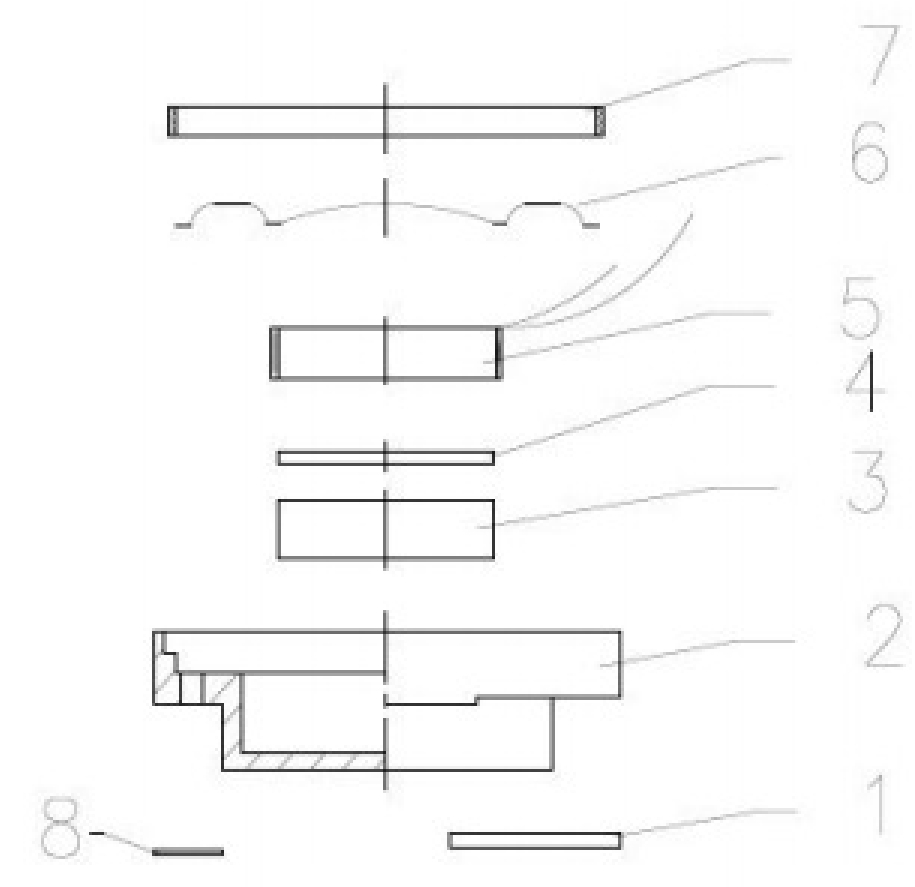
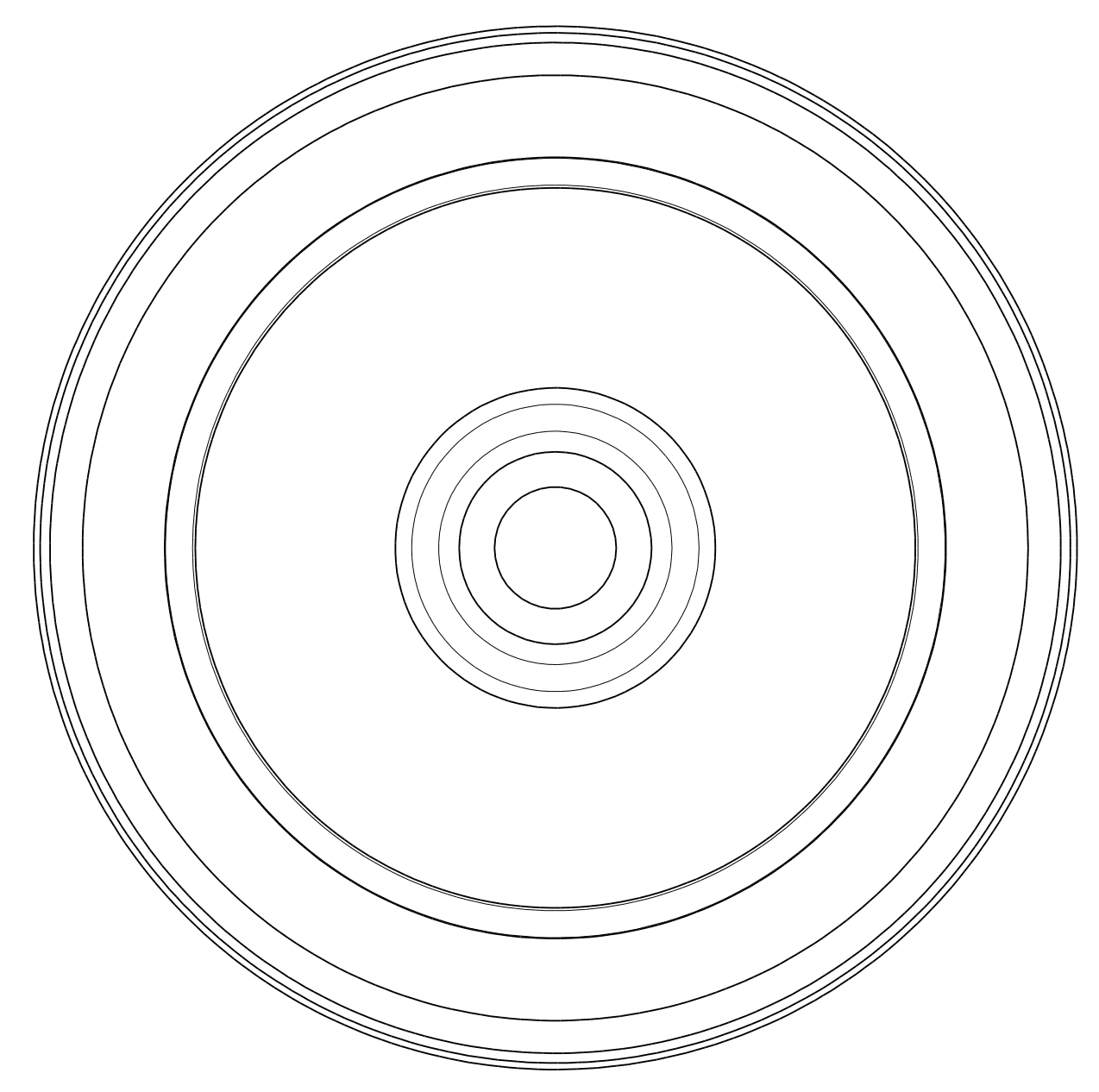
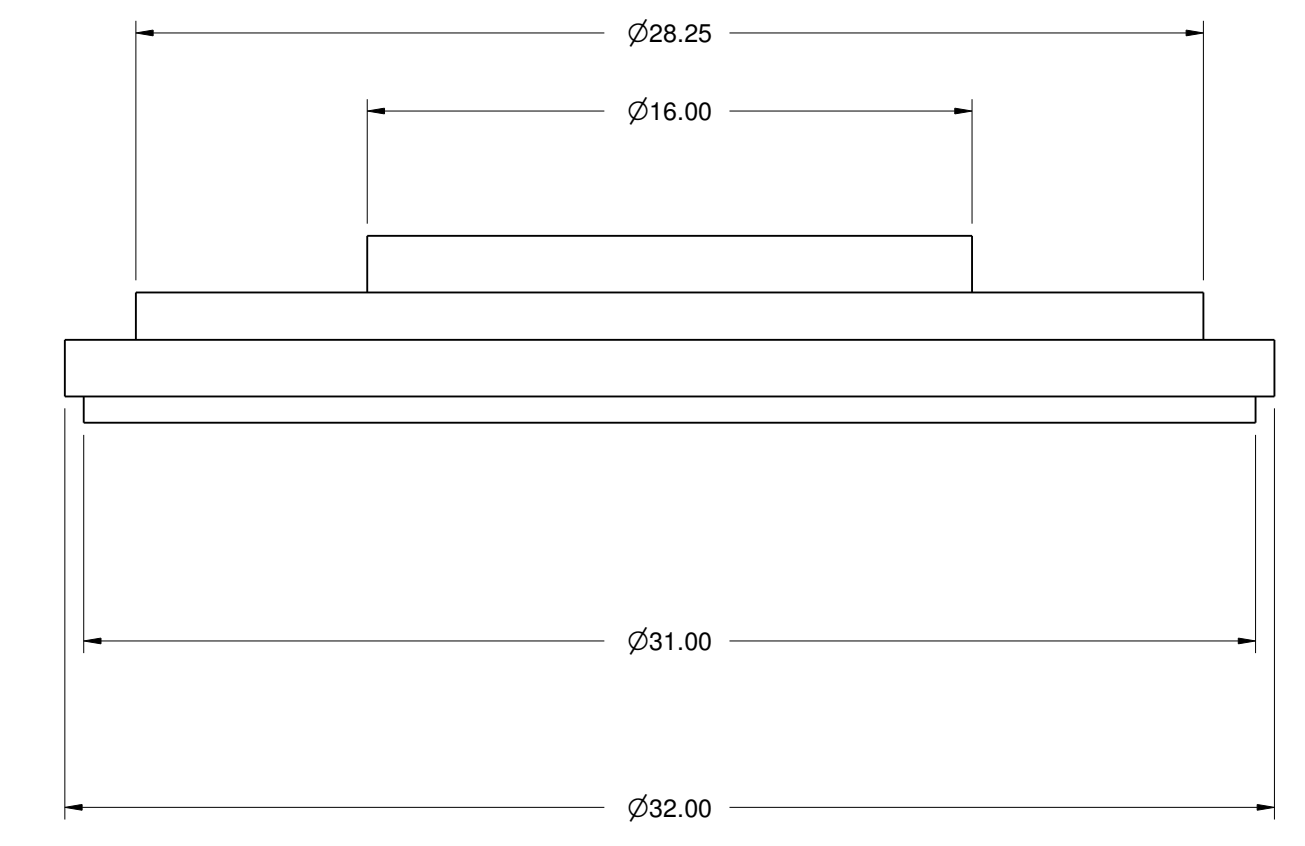
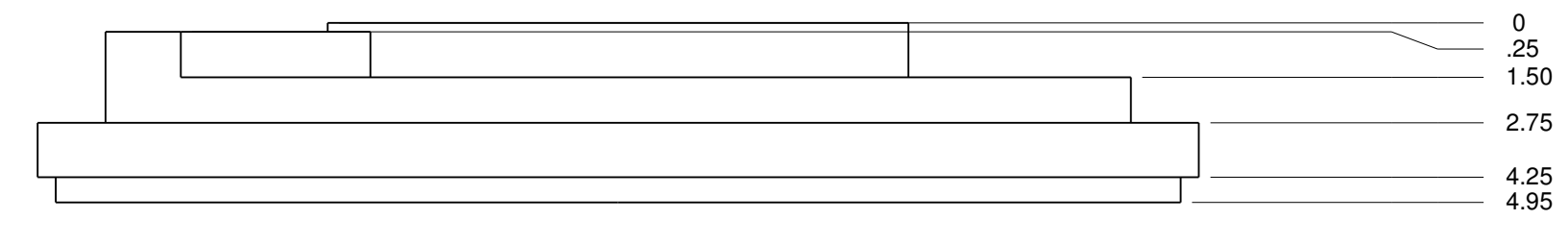


REVISIONS				
ZONE	REV	DESCRIPTION	DATE	APPROVED



No.	Part Name	Material	Quantity
1	PCB	FR-4	1
2	Frame	SPCC	1
3	Magnet	Φ12.5×1.5-N38	1
4	Plate	φ12.7×0.8 SPCC	1
5	Voice Coil	13.3-2.0-7.4	1
6	Diaphragm	PET	1
7	Gasket	Black paper	1
8	Silk Screen	Black cloth	1



ALL TOLERANCES +/- .5MM UNLESS NOTED

SIZE D	FSCM NO.	DWG NO. SP-3205	REV
SCALE 1:1	SHEET 1 OF 1		