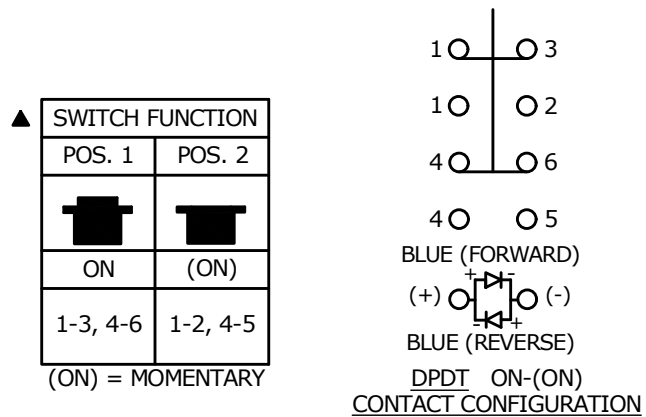
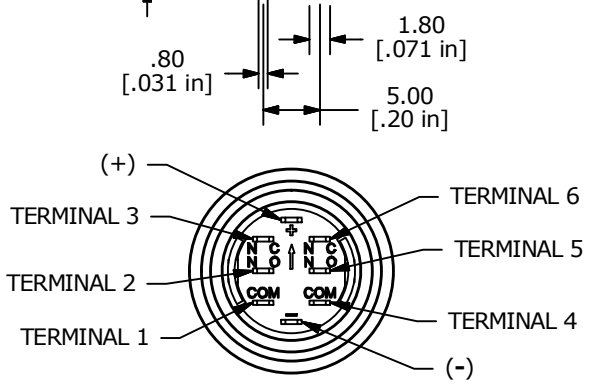
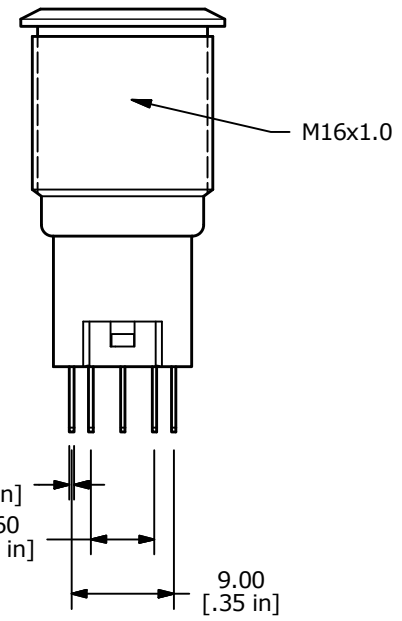
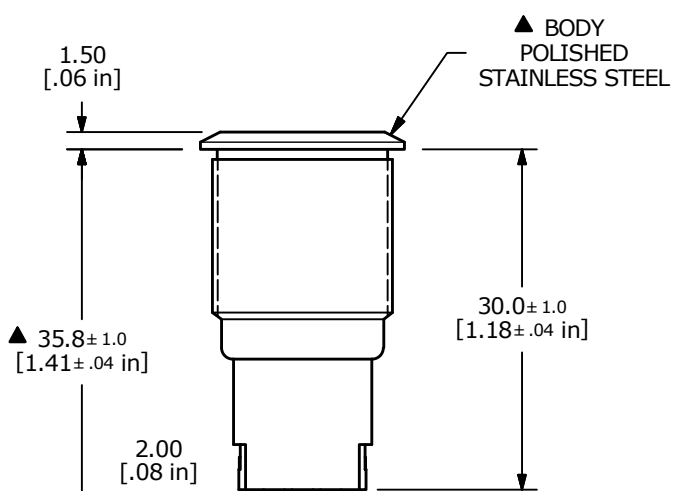
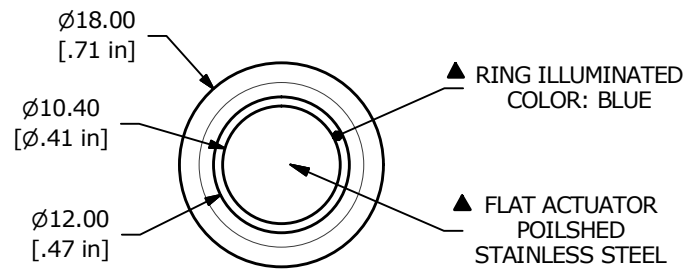


PANEL CUTOUT  
MAX. PANEL THICKNESS  
14.0mm [.55]



- NOTE:
- ALL DIMENSIONS IN MM [INCH]
  - GENERAL TOLERANCE: X.X ±0.4  
X.XX ±0.25
  - TERMINAL NUMBERS FOR REF ONLY
  - CONTACT MATERIAL: SILVER
  - RATING: 2A 48VDC
  - ELECTRIC LIFE: 50,000 MAKE-AND-BREAK CYCLES AT FULL LOAD.
  - INSULATION RESISTANCE: 1,000 MΩ MIN.
  - DIELECTRIC STRENGTH: 2,000 VAC MIN. FOR 1 MINUTE
  - CONTACT RESISTANCE: 50mΩ MAX. @ 1A 12VDC
  - OPERATING TEMP.: -20°C to 55°C
  - ▲ DENOTES CRITICAL PARAMETER.
  - HARDWARE SUPPLIED: O-RING AND HEXNUT
  - INGRESS RATING: IP67
  - LAMP VOLTAGE: 2.8V



REV	PCR NO	DESCRIPTION	DATE	BY
D	23615	update +/- Terminals	4/15/19	MW
C	23365	UPDATED RATING TO 2A 48VDC	5/14/18	MJR
B	22888	UPDATED RATING TO 1A 24VDC	6/27/17	MJR

E-SWITCH®

TITLE PV3WF2H0SS-341

SCALE 3:2	DATE 12/21/2011	DR BGL	DWG 52-PV3WF2H0SS341	REV D
-----------	-----------------	--------	----------------------	-------

THE INFORMATION CONTAINED IN THIS DOCUMENT IS PROPRIETARY TO E-SWITCH AND IS NOT TO BE COPIED OR TRANSFERRED