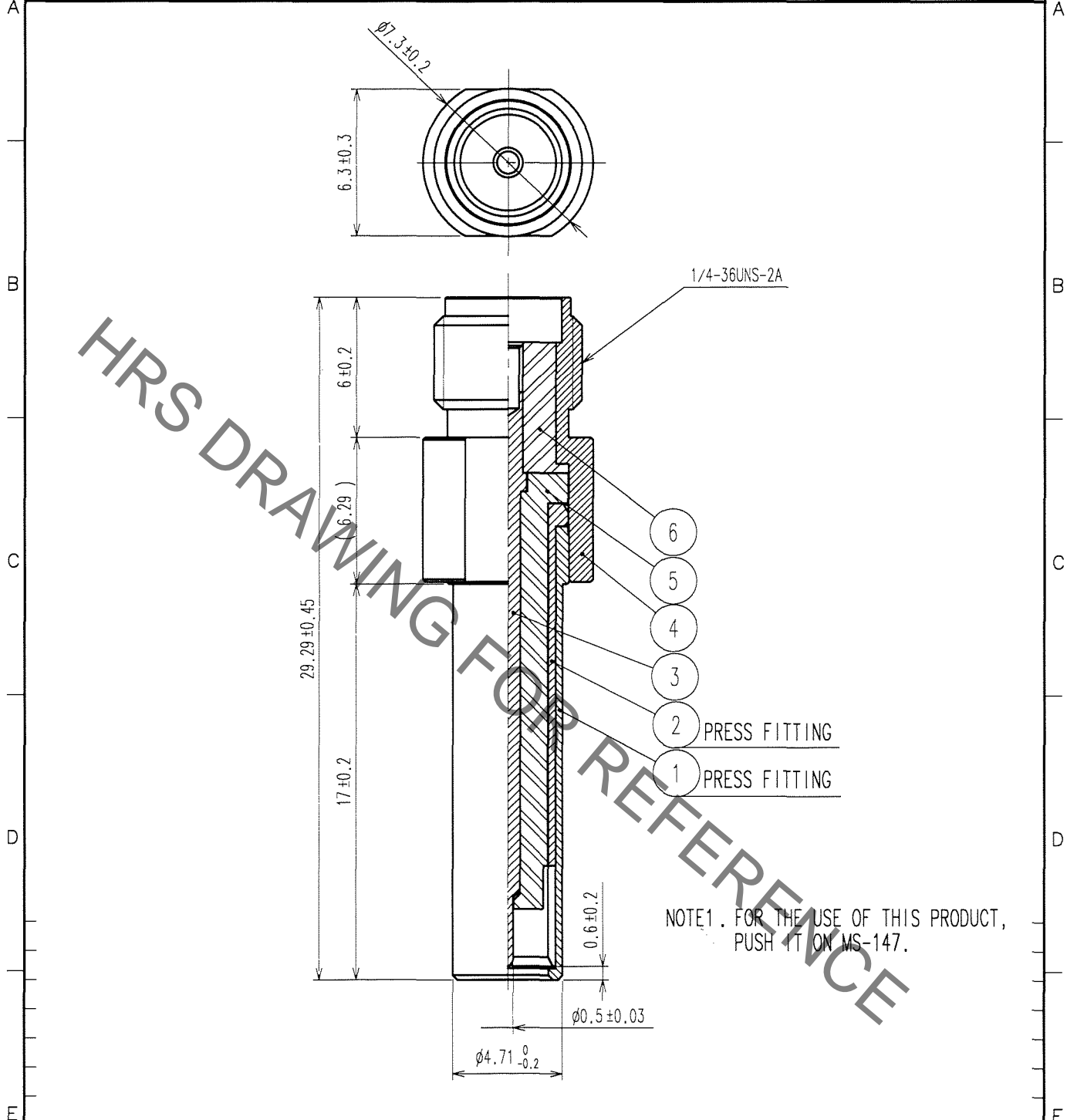


Aug.1.2019 Copyright 2019 HIROSE ELECTRIC CO., LTD. All Rights Reserved.  
In case of consideration for using Automotive equipment / device which demand high reliability, kindly contact our sales window correspondents.

1		2			3			4		
COUNT	DESCRIPTION OF REVISIONS	BY	CHKD	DATE	COUNT	DESCRIPTION OF REVISIONS	BY	CHKD	DATE	
△					△					
△					△					
△					△					



3	BERYLLIUM COPPER	GOLD PLATING	6	PTFE	
2	PHOSHOR BRONZE	NICKEL PLATING	5	PTFE	
1	PHOSHOR BRONZE	NICKEL PLATING	4	STAINLESS STEEL	PASSIVATE
NO.	MATERIAL	FINISH, REMARKS	NO.	MATERIAL	FINISH, REMARKS

CODE NO. (OLD)	DRAWN	DESIGNED	CHECKED	APPROVED	RELEASED
	<i>T. Noda</i> 07.1.17	<i>Y. Matsuo</i> 07.1.17	<i>R. Kano</i> 07.1.17	<i>[Signature]</i> 07.1.17	

TO
RFD

SCALE	DRAWING NO.	PART NO.
4 : 1	EDC4-180532	MS-147-HRMJ-3
UNITS	CODE NO.	
mm	CL358-0218-7	1/1

