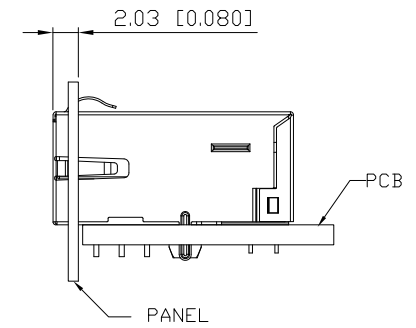
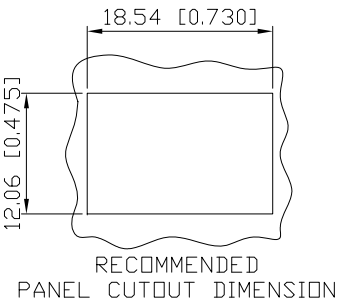
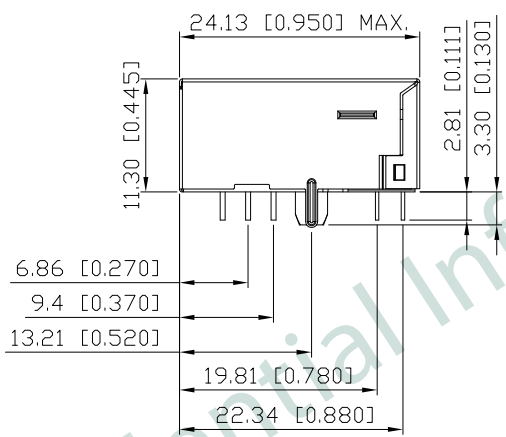
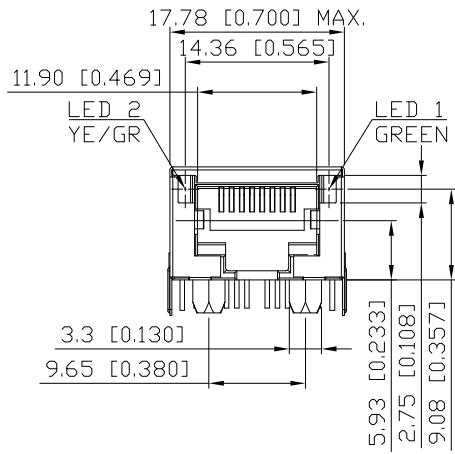
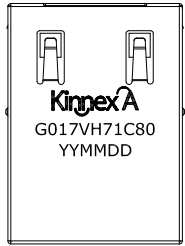
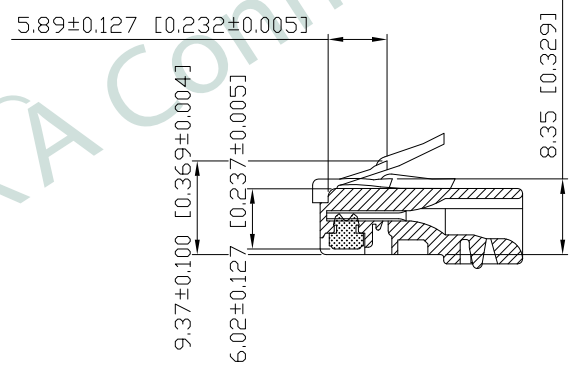


1. MECHANICAL DIMENSIONS :

REV.	DATE	DESCRIPTION
01	Jan. 03, '18	1st RELEASE



RECOMMENDED PLUG DIMENSION:



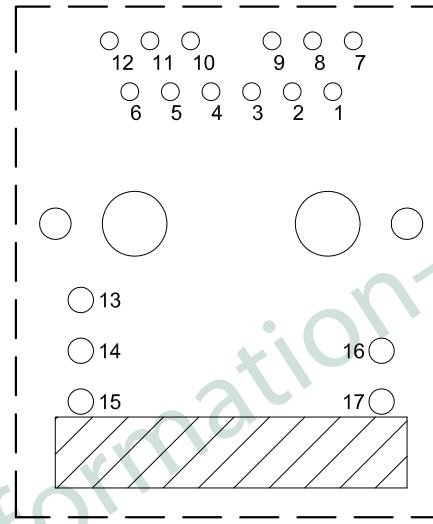
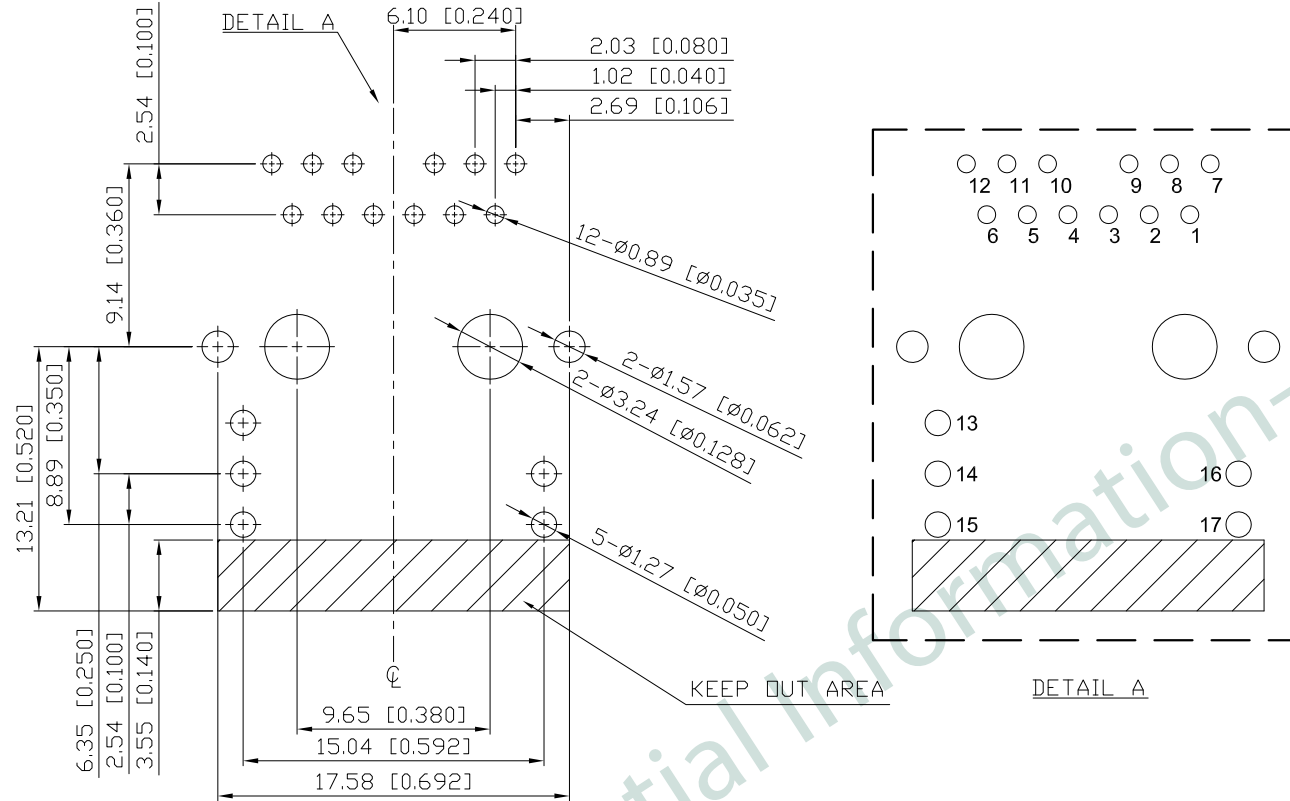
NOTES:

- MATERIAL:
HOUSING: HIGH THERMOPLASTIC, UL94V-0, BLACK
CONTACTS: T=0.35mm PHOS-BRONZE, 3u" GOLD PLATING ON CONTACT AREA, NICKEL UNDERPLATING OVERALL
SOLDER PIN: T=0.35*0.45mm COPPER, NICKEL PLATING, TIN PLATING ON ALL AREA
SHIELD: T=0.20mm COPPER ALLOY, NICKEL PLATING
- OPERATING TEMPERATURE: -40°C~+85°C
- INSERTION FORCE: 4 POUNDS MAX.
EXTRACTION FORCE: 4 POUNDS MAX.
- DURABILITY: 750 MATING CYCLED MIN.
- CAVITY CONFORMS TO FCC RULES AND REGULATIONS PART 68, SUBPART F.
- UNSPECIFIED TOLERANCE: .XX ±0.25[0.010]
.X ±0.30[0.012]

PART NO		KRG-017-V-H71-C80		
TITLE	RJ45, W/1G TRANSFORMER, W/LED, SHIELDED			
REV : 01				
UNIT	DRAWN	CHKD	DATE	SHEET
mm[inch]	CINDY	DANIEL	Jan. 03, '18	1 of 5

ROHS Compliant

2. PCB LAYOUT :



P#	DEFINITION
P1	CT
P2	MD(2)-
P3	MD(2)+
P4	MD(1)+
P5	MD(1)-
P6	CT
P7	CT
P8	MD(3)+
P9	MD(3)-
P10	MD(0)-
P11	MD(0)+
P12	CT
P13	LEFT YE-
P14	LEFT LED+
P15	LEFT GR-
P16	RIGHT GR-
P17	RIGHT GR+

SUGGESTED PCB LAYOUT
(TOP VIEW) SCALE: 2:1
DIMENSIONAL TOLERANCE: .XX ±0.08[0.003]

KRG-017-V-H71-C80

PRODUCT SERIES
KRG: LATCH DOWN WITH LED

MECHANICAL TYPE
017: 1 PORT, LENGTH=24.13mm,
HEIGHT=11.30mm, STRAIGHT PINS,
WITHOUT STAND OFF

LED COLOR OPTION

SPECIAL CODE
0: STANDARD

SHIELDED TYPE
B: NON-EMI FINGER

LED POLARITY
C: TRI-COLOR, --

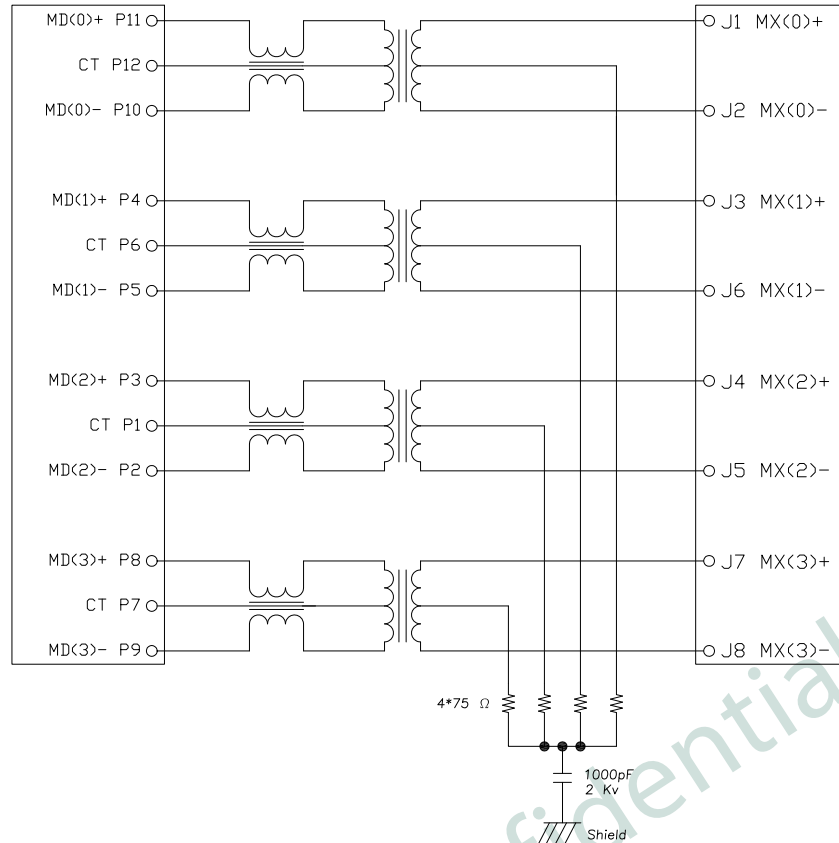
CIRCUIT TYPE

PART NO		KRG-017-V-H71-C80		
TITLE	RJ45, W/1G TRANSFORMER, W/LED, SHIELDED			
REV : 01				
UNIT	DRAWN	CHKD	DATE	SHEET
mm[inch]	CINDY	DANIEL	Jan. 03, '18	2 of 5

3. SCHEMATIC :

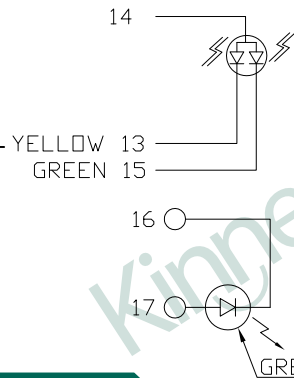
4. ELECTRICAL CHARACTERISTICS :

LAN CHIP SIDE RJ CABLE SIDE



TEST NOTES:($25 \pm 5^\circ\text{C}$)

- TR:
INPUT TO OUTPUT=1:1 \pm 3%
- LX:(100KHz,100mV,8mA, DC Bias)
350uH MINIMUM
- DCR:
EVERY RJ PAIR=1.2 Ω MAXIMUM
- HIPOT:
INPUT(RJ SIDE) TO OUTPUT(LAN SIDE):
1500 VAC/60SEC
- INSERTION LOSS:
-0.8dB MAXIMUM AT 0.3MHz TO 100MHz
-1.2dB MAXIMUM AT 100MHz TO 125MHz
- RETURN LOSS:
-20dB MINIMUM AT 1MHz TO 10MHz
-16dB MINIMUM AT 30MHz
-12dB MINIMUM AT 60MHz TO 100MHz
- CROSS TALK:
-40dB MINIMUM AT 1MHz TO 10MHz
-35dB MINIMUM AT 30MHz TO 60MHz
-30dB MINIMUM AT 60MHz TO 100MHz
- COMMON TO COMMON MODE REJECTION:
-30dB MINIMUM AT 300KHz TO 100MHz



COLOR	VF(V) @20mA		IV(mcd) @20mA	IF(mA)	PEAK WAVE LENGTH λ P(nm) @20mA
	TYP	MAX	TYP	TYP	TYP
GREEN	2.2	2.6	8	20	570
YELLOW	2.0	2.6	8	20	588
GREEN	2.2	2.6	10	20	570

PART NO		KRG-017-V-H71-C80		
TITLE	RJ45, W/1G TRANSFORMER, W/LED, SHIELDED			
REV : 01				
UNIT	DRAWN	CHKD	DATE	SHEET
mm[inch]	CINDY	DANIEL	Jan. 03, '18	3 of 5

DWG NO KRG-017-V-H71-C80

KinnexA, INC. 8F, No. 172, CHENG TEH ROAD SEC. 4, TAIPEI 11167, TAIWAN

Connected by **KinnexA**

PRELIMINARY RELEASE SUBJECT TO CHANGE

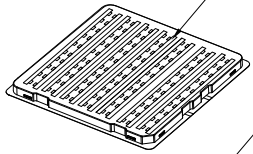
※ THIS DRAWING IS A CONTROLLED DOCUMENT ※

RoHS Compliant

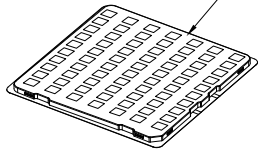
5. PACKING SPECIFICATION:

A
B
C
D
E
F

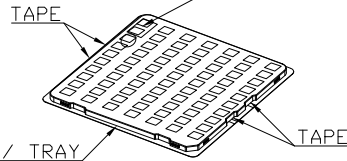
TOP COVER TRAY
310mm×235mm×30mm



BOTTOM TRAY
310mm×235×10mm



RoHS LABEL(LEFT)
INNER LABEL(RIGHT)

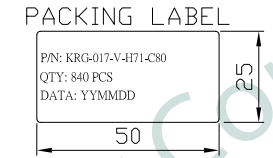
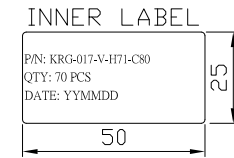
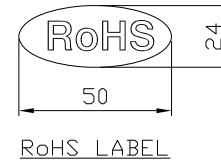
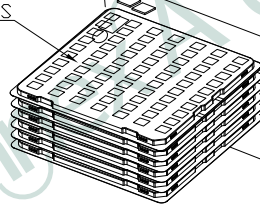


70 PCS / TRAY

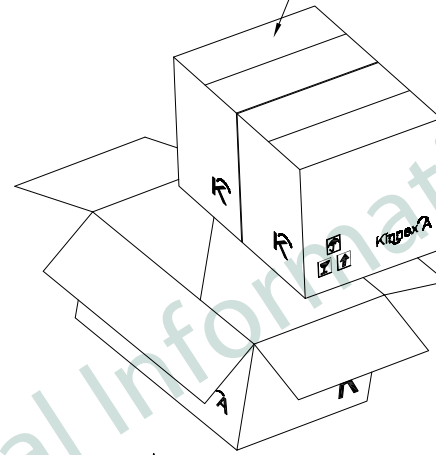
2 DESICCANTS

PLASTIC BAG

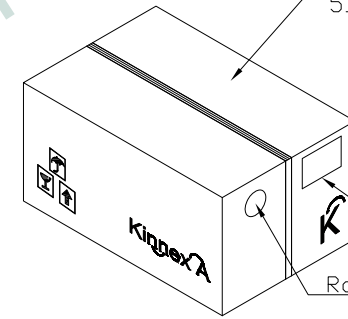
6 TRAY / 420PCS
VACUUM SEALED



2 INNER CARTON/CARTON
840 PCS



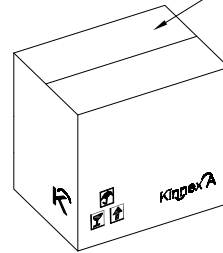
CARTON
515mmX340mmX220mm



PACKING LABEL

RoHS LABEL

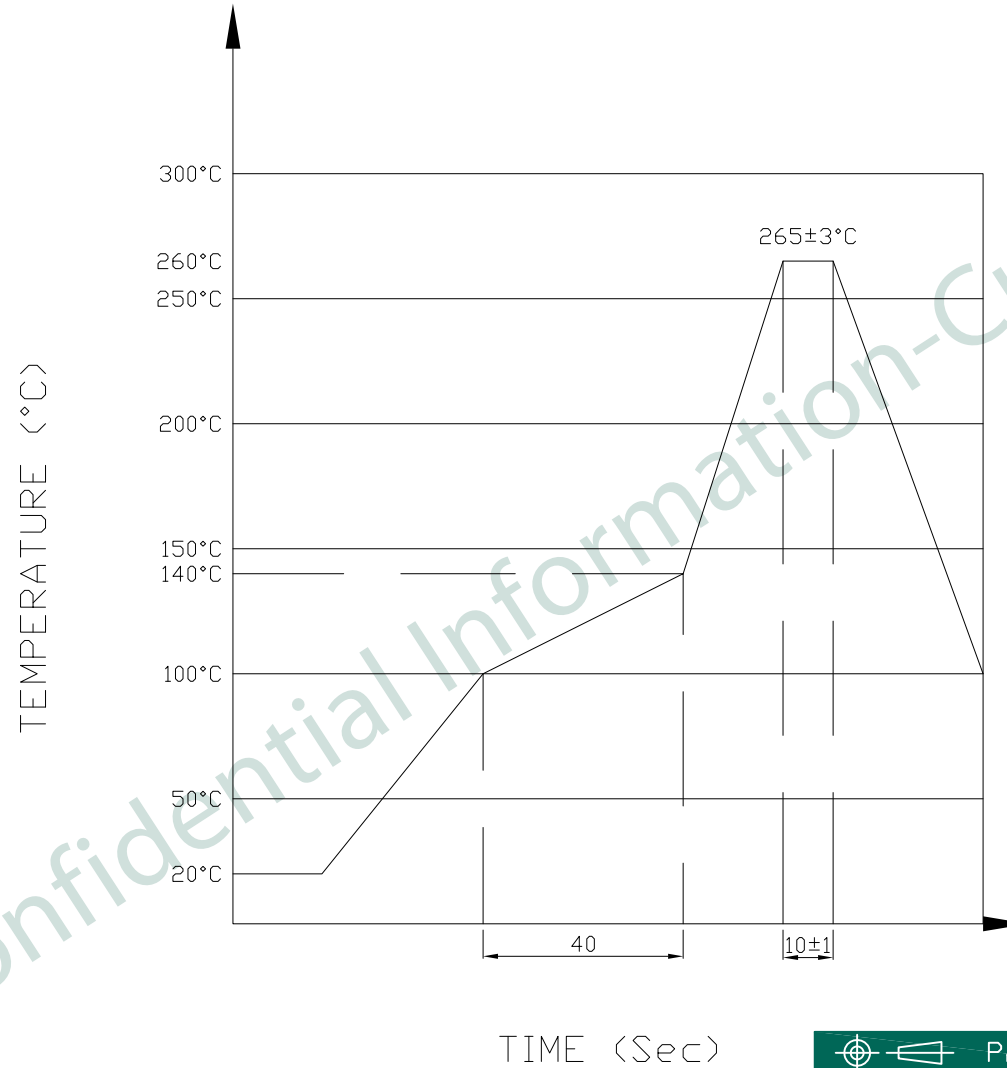
INNER CARTON
6 TRAY / 420 PCS
320mmX248mmX195mm



PCS/TRAY	TRAY/INNER CARTON	INNER CARTON/CARTON	CARTON/PCS
70/1	6/1	2/1	1/840

PART NO		KRG-017-V-H71-C80		
TITLE	RJ45, W/1G TRANSFORMER, W/LED, SHIELDED			
REV : 01				
UNIT	DRAWN	CHKD	DATE	SHEET
mm[inch]	CINDY	DANIEL	Jan. 03, '18	4 of 5

6. PROFILE OF WAVE SOLDER:



The measuring point for the specified temperature shall be on the soldered part of the lead

PART NO		KRG-017-V-H71-C80		
TITLE	RJ45, W/1G TRANSFORMER, W/LED, SHIELDED			
REV : 01				
UNIT	DRAWN	CHKD	DATE	SHEET
mm[inch]	CINDY	DANIEL	Jan. 03, '18	5 of 5