

IS32LT3141A

SINGLE CHANNEL 450mA LED DRIVER WITH ONEWIRE SERIAL BUS AND SINGLE LED SHORT DETECTION

January 2022

GENERAL DESCRIPTION

The IS32LT3141A is an automotive-grade high-side programmable current regulator consisting of a single output channel capable of 450mA. An external resistor sets the current level for the single-channel current source. It features an EN pin to enable and disable the output channel's current source. It supports a Onewire serial BUS interface to implement output on/off control. A resistor divider circuit can be used on the UV pin to set an external VCC under-voltage lockout threshold for LED string open and single LED short fault detection. In addition, the IS32LT3141A integrates fault protection for a single LED short, LED string open/short, output overcurrent (not reported), and over-temperature condition for robust operation. Detection of these failures is reported by the FAULTB pin. When a fault is detected the device will disable itself and output an active low open drain signal. Multiple devices can have their FAULTB pins connected to create a "one-fail-all-fail" condition.

The IS32LT3141A is targeted at the automotive market with end applications to include interior and exterior lighting. For 12V automotive applications, the low dropout driver can support one to several LEDs on the output channel. The device is offered in a small thermally enhanced eTSSOP-14 package.

FEATURES

- Wide input voltage range, 4.5V to 40V
- Onewire serial BUS Interface to control LED on/off
 - ✓ Up to 100kbps data transfer rate
 - ✓ Cascaded devices up to 30 devices
- Single-channel, sources up to 450mA
- High-side external resistor sets source current
- $\pm 8\%$ current accuracy over $-40^{\circ}\text{C} \sim +150^{\circ}\text{C}$
- Low headroom voltage, max 700mV at 150mA
- Low operating current of 5 μA in shutdown
- Fault protection with open-drain flag output:
 - ✓ Selectable fault actions
 - ✓ Single LED short
 - ✓ LED string open/short
 - ✓ Output overcurrent (not reported)
 - ✓ Thermal shutdown
- Shared fault flag for multiple device operation to comply with "one-fail-all-fail" function
- AEC-Q100 Qualified
- Operating temperature range from $-40^{\circ}\text{C} \sim +150^{\circ}\text{C}$

APPLICATIONS

- Automotive interior/exterior lighting:
 - Sequential turn signal light
 - Rear lamp
 - Front lamp

TYPICAL APPLICATION CIRCUIT

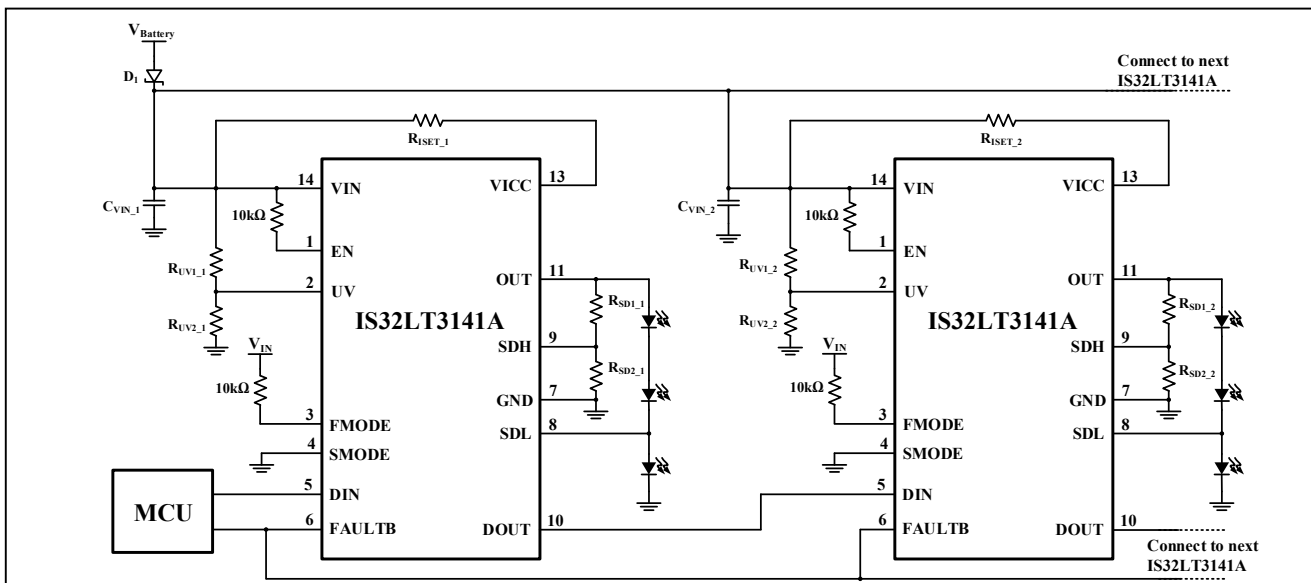
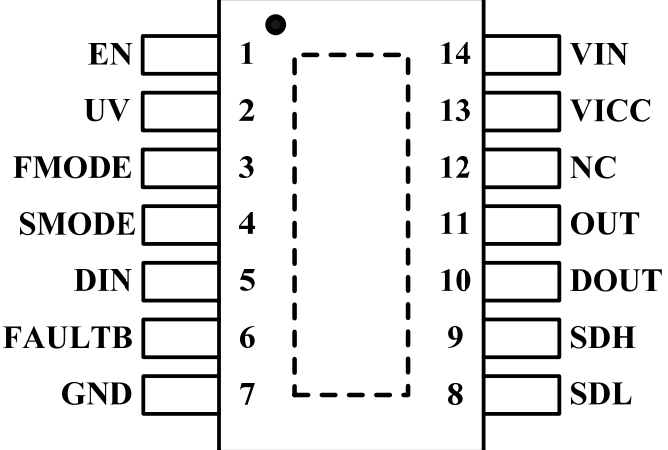


Figure 1 Typical Application Circuit

Note 1: The current sense resistor R_{SET} must be placed as close as possible to VIN and V_{ICC} pins on the PCB layout to avoid noise interference.

IS32LT3141A

PIN CONFIGURATION

Package	Pin Configuration (Top View)
eTSSOP-14	

PIN DESCRIPTION

No.	Pin	Description
1	EN	Device enable pin. Internally pulled down to GND by a 4M Ω (Typ.) resistor. Pull low to shutdown the device. If unused, it must be connected to VIN pin via a resistor (recommended value is 10k Ω).
2	UV	External under voltage lockout threshold setting for LED string open and signal LED short fault detection. Pull low will disable the LED open and single LED short fault detection. If unused, it must be connected to VIN pin via a resistor (recommended value is 10k Ω).
3	FMODE	Fault mode set pin. Internally pulled down to GND by a 100k Ω (Typ.) resistor. Connected to VIN pin via a resistor (recommended value is 10k Ω) to set high.
4	SMODE	Single LED short fault mode set pin. Internally pulled down to GND by a 100k Ω (Typ.) resistor. Unconnected or connected to ground, a small fault recovery current flows through the LED string. Connected to VIN pin via a resistor (recommended value is 10k Ω) the fault condition remains latched.
5	DIN	Onewire serial BUS serial data input. It is internally pulled up to 3.3V (Typ.) LDO by 50k Ω resistor.
6	FAULTB	Open drain I/O diagnostic pin. Active low output driven by the device when it detects a fault condition. As an input (FMODE pin low), this pin will accept an externally generated FAULTB signal to disable the device output to satisfy the "one fail all fail" function. This pin is internally pulled up to internal 4.5V (Typ.) LDO by a 50k Ω (Typ.) resistor.
7	GND	Ground.
8	SDL	Single LED short low side detect reference.
9	SDH	Single LED short high side detect reference.
10	DOUT	Onewire serial BUS serial data output. If unused, leave it floating.
11	OUT	Output current source channel.
12	NC	Not connected.
13	VICC	Current input and current sense pin.
14	VIN	Power supply input and current sense pin.
	Thermal Pad	MUST be electrically connected to large GND plane for better thermal dissipation.

IS32LT3141A

ORDERING INFORMATION

Automotive Range: -40°C to +125°C

Order Part No.	Package	QTY/Reel
IS32LT3141A-ZLA3-TR	eTSSOP-14, Lead-free	2500

Copyright © 2021 Lumissil Microsystems. All rights reserved. Lumissil Microsystems reserves the right to make changes to this specification and its products at any time without notice. Lumissil Microsystems assumes no liability arising out of the application or use of any information, products or services described herein. Customers are advised to obtain the latest version of this device specification before relying on any published information and before placing orders for products.

Lumissil Microsystems does not recommend the use of any of its products in life support applications where the failure or malfunction of the product can reasonably be expected to cause failure of the life support system or to significantly affect its safety or effectiveness. Products are not authorized for use in such applications unless Lumissil Microsystems receives written assurance to its satisfaction, that:

- a.) the risk of injury or damage has been minimized;
- b.) the user assume all such risks; and
- c.) potential liability of Lumissil Microsystems is adequately protected under the circumstances

IS32LT3141A

ABSOLUTE MAXIMUM RATINGS

Voltage on EN, UV, FMODE, FAULTB, SDL, SDH, OUT, SMODE, VICC, VIN pins	-0.3V ~ +45V
Voltage on DIN, DOUT pins	-0.3V ~ +22V
VIN pin to VICC pin voltage, $V_{IN} - V_{VICC}$	-0.3V ~ +1V
Operating temperature, $T_A = T_J$	-40°C ~ +150°C
Maximum continuous junction temperature, $T_{J(MAX)}$	+150°C
Storage temperature range, T_{STG}	-65°C ~ +150°C
Package thermal resistance, junction to ambient (4-layer standard test PCB based on JEDEC standard), θ_{JA}	43°C/W
Package thermal resistance, junction to thermal PAD (4-layer standard test PCB based on JEDEC standard), θ_{JP}	1.617°C/W
Maximum power dissipation, P_{DMAX}	2.91W
ESD (HBM)	±2kV
ESD (CDM)	±750V

Note 2: Stresses beyond those listed under “Absolute Maximum Ratings” may cause permanent damage to the device. These are stress ratings only and functional operation of the device at these or any other condition beyond those indicated in the operational sections of the specifications is not implied. Exposure to absolute maximum rating conditions for extended periods may affect device reliability.

ELECTRICAL CHARACTERISTICS

$T_J = T_A = -40^\circ\text{C} \sim +150^\circ\text{C}$, $V_{IN} = 12\text{V}$, the detail refer to each condition description, unless otherwise noted. Typical values are at $T_J = T_A = 25^\circ\text{C}$ (Note 3).

Symbol	Parameter	Conditions	Min.	Typ.	Max.	Unit
Power Up Parameter						
V_{IN}	Supply voltage range		4.5		40	V
V_{UVLO_R}	VIN under voltage lockout rising threshold			3.2	4.0	V
V_{UVLO_F}	VIN under voltage lockout falling threshold		2.2	3.0		V
I_{IN}	VIN quiescent current	$V_{EN} = \text{High}$, no fault conditions	0.8	1.1	1.4	mA
I_{SD}	Shutdown current	$V_{EN} = \text{Low}$		5	10	μA
I_{IN_FLT}	VIN supply current in fault condition	$V_{EN} = \text{High}$, $V_{FMODE} = \text{Low}$, $V_{UV} = \text{High}$, FAULTB externally pulled low	0.9	1.2	1.5	mA
t_{ON}	EN high time for IC power up	$I_{OUT} = -150\text{mA}$, $V_{IN} = 12\text{V}$, $V_{EN} = \text{High}$	20	40	60	μs
Channel Parameter						
I_{OUT_R}	Channel output current range	100% duty cycle	-450		-4	mA
V_{SENSE}	Current sense voltage ($V_{IN} - V_{VICC}$)	$V_{IN} = 4.5\text{V to }18\text{V}$, $T_J = T_A = 25^\circ\text{C}$	95	100	105	mV
		$V_{IN} = 4.5\text{V to }18\text{V}$, $T_J = T_A = -40^\circ\text{C} \sim +150^\circ\text{C}$	92	100	108	mV
V_{HR_MIN}	Minimum headroom voltage, from VIN to OUT (V_{SENSE} included)	$I_{OUT} = -10\text{mA}$		120	150	mV
		$I_{OUT} = -70\text{mA}$		250	400	
		$I_{OUT} = -150\text{mA}$		430	700	
		$I_{OUT} = -300\text{mA}$		800	1300	
I_{OUT_L}	Output limit current	VIN shorted to VICC, $V_{HR} = 3\text{V}$		-600		mA
I_{LEAK}	Channel leakage current	$V_{EN} = \text{Low}$, $V_{OUT} = 0\text{V}$			1	μA

IS32LT3141A

ELECTRICAL CHARACTERISTICS (CONTINUE)

$T_J = T_A = -40^{\circ}\text{C} \sim +150^{\circ}\text{C}$, $V_{IN} = 12\text{V}$, the detail refer to each condition description, unless otherwise noted. Typical values are at $T_J = T_A = 25^{\circ}\text{C}$ (Note 3).

Symbol	Parameter	Conditions	Min.	Typ.	Max.	Unit
t_{SL}	Current rising/falling slew time	Enabled/disabled by commands, current rise/fall between 10%~90%, $I_{OUT} = -300\text{mA}$	8	16	24	μs
Fault Protect Parameter						
t_{FD_DT}	Fault detect deglitch time (except single LED short)	*Fault must be present at least this long to trigger the fault detect	70	130	190	μs
t_{FD_SS}	Single LED short fault detect deglitch time	*Fault must be present at least this long to trigger the fault detect	100	200	300	μs
t_{FD_RL}	Fault release deglitch time		30	60	90	μs
V_{FAULTB_PU}	FAULTB pin internally pull-up voltage		4		5.5	V
R_{FAULTB}	FAULTB pin pull-up resistor			50		$\text{k}\Omega$
V_{FAULTB_PD}	FAULTB pin externally pull-down voltage	Sink current= 5mA		0.2	0.4	V
V_{FAULTB_IH}	FAULTB pin input high enable threshold	$V_{FMODE} = \text{Low}$	2			V
V_{FAULTB_IL}	FAULTB pin input low disable threshold	$V_{FMODE} = \text{Low}$			0.7	V
V_{SCD_R}	OUT pin short to GND rising threshold	Measured at OUT pin	1.1	1.2	1.3	V
V_{SCD_F}	OUT pin short to GND falling threshold	Measured at OUT pin	0.82	0.865	0.91	V
V_{OD_R}	OUT pin open rising threshold	Measured at ($V_{VICC} - V_{OUT}$)	70	120	160	mV
V_{OD_F}	OUT pin open falling threshold	Measured at ($V_{VICC} - V_{OUT}$)	250	320	400	mV
V_{SSH_TH}	Single LED short detection high side threshold	Measured at ($V_{SDL} - V_{SDH}$)	200	230	260	mV
V_{SSL_TH}	Single LED short detection low side threshold	Measured at SDL pin, voltage falling	0.80	0.86	0.91	V
V_{SSL_HY}	Single LED short detection low side threshold hysteresis	Measured at SDL pin	40	80	110	mV
I_{RTR}	Output retry current in fault modes	$V_{OUT} = 0\text{V}$	-1.6	-1	-0.6	mA
T_{SD}	Thermal shutdown threshold	(Note 4)		175		$^{\circ}\text{C}$
T_{HY}	Over-temperature hysteresis	(Note 4)		25		$^{\circ}\text{C}$

IS32LT3141A

ELECTRICAL CHARACTERISTICS (CONTINUE)

$T_J = T_A = -40^{\circ}\text{C} \sim +150^{\circ}\text{C}$, $V_{IN} = 12\text{V}$, the detail refer to each condition description, unless otherwise noted. Typical values are at $T_J = T_A = 25^{\circ}\text{C}$ (Note 3).

Symbol	Parameter	Conditions	Min.	Typ.	Max.	Unit
Logic Input						
V_{IH}	EN, FMODE, SMODE pins input logic high voltage		2.0			V
V_{IL}	EN, FMODE, SMODE pins input logic low voltage				0.7	V
V_{UV_IH}	UV input rising threshold		1.14	1.20	1.3	V
V_{UV_IL}	UV input falling threshold		1.045	1.1	1.155	V
R_{PD_MODE}	FMODE and SMODE pins internal pull-down resistor			100		k Ω
R_{PD_EN}	EN pin internal pull-down resistor			4		M Ω
Onewire Serial BUS						
V_{IH_DIN}	DIN pin input logic high voltage		2.0			V
V_{IL_DIN}	DIN pin input logic low voltage				0.7	V
R_{PU_DIN}	DIN pin internal pull-up resistor			50		k Ω
V_{DOUT_H}	DOUT output high voltage	$I_{DOUT} = -200\mu\text{A}$	3.1	3.3	3.5	V
V_{DOUT_L}	DOUT output low voltage	$I_{DOUT} = 1\text{mA}$			0.4	V
T_C	DIN input signal period time		10		100	μs
D_{DIN}	Duty cycle range of T_C	For T_C including both of logic high and logic low, t_H/T_C	35	50	65	%
t_{PLH}	DIN to DOUT low to high propagation delay time	$C_{DOUT} = 15\text{pF}$, $t_R = t_F = 3\text{ns}$		50		ns
t_{PHL}	DIN to DOUT high to low propagation delay time	$C_{DOUT} = 15\text{pF}$, $t_R = t_F = 3\text{ns}$		50		ns
t_{RESET}	"RESET" signal time		12			ms
t_{SYNC_TO}	"Start and Sync" signal time-out time			9	14	ms

Note 3: Limits are 100% production tested at 25°C. Limits over the operating temperature range verified through either bench and/or tester testing and correlation using Statistical methods.

Note 4: Guaranteed by design.

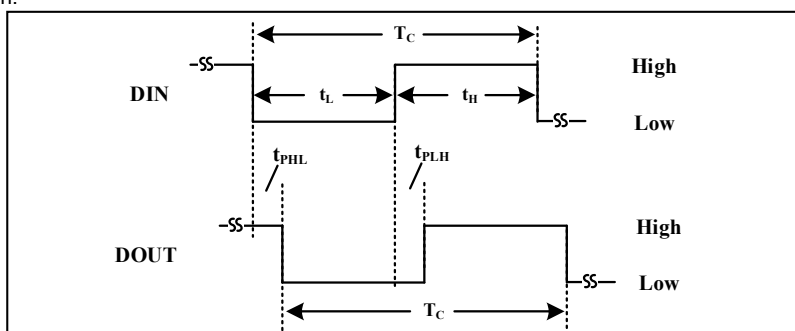
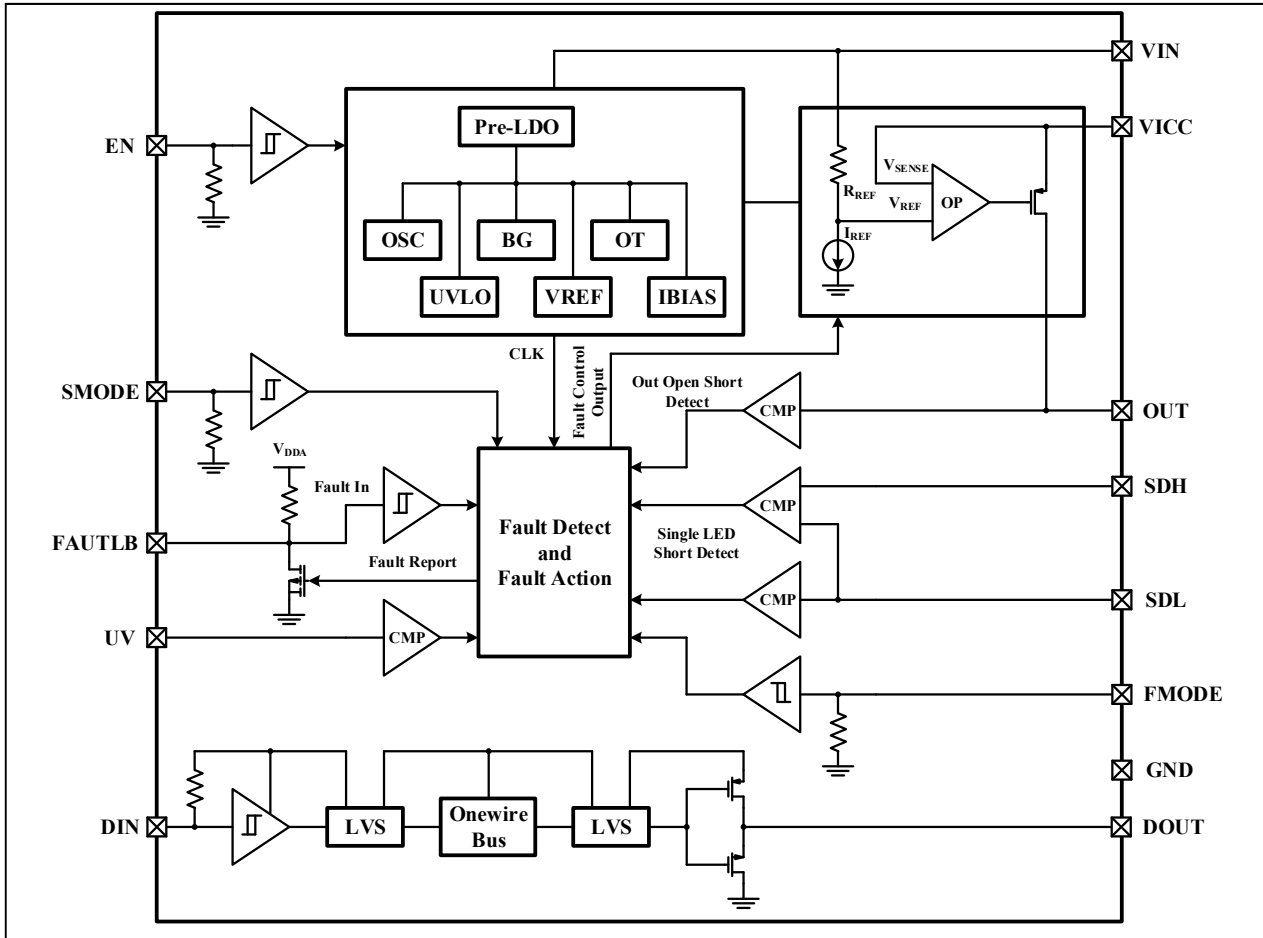


Figure 2 Onewire BUS Timing

IS32LT3141A

FUNCTIONAL BLOCK DIAGRAM



IS32LT3141A

TYPICAL PERFORMANCE CHARACTERISTICS

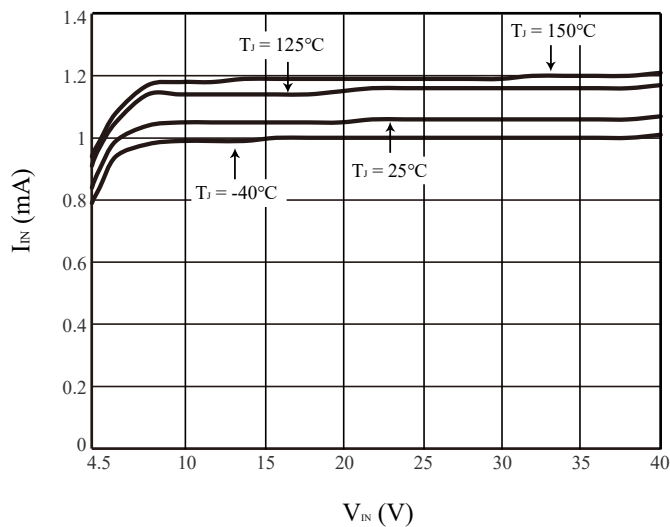


Figure 3 I_{IN} vs. V_{IN}

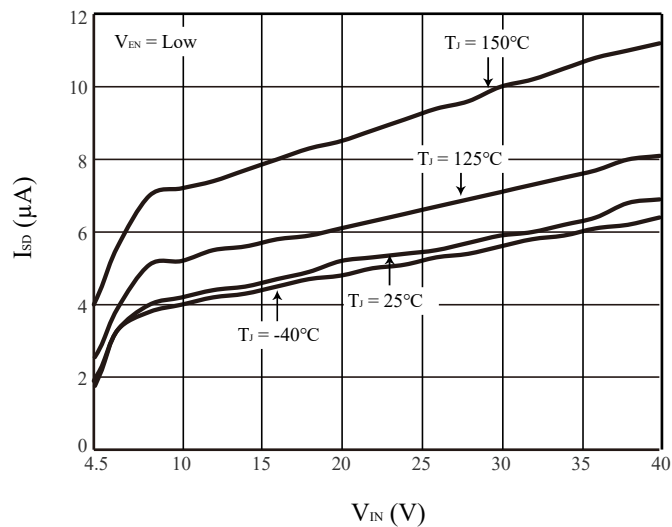


Figure 4 I_{SD} vs. V_{IN}

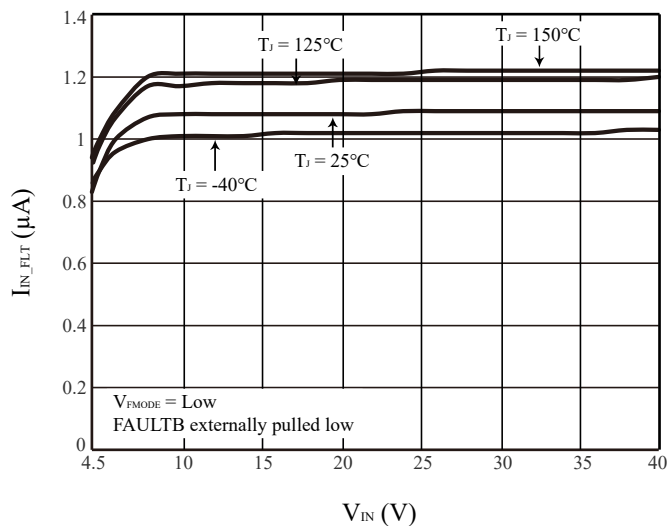


Figure 5 I_{IN_FLT} vs. V_{IN}

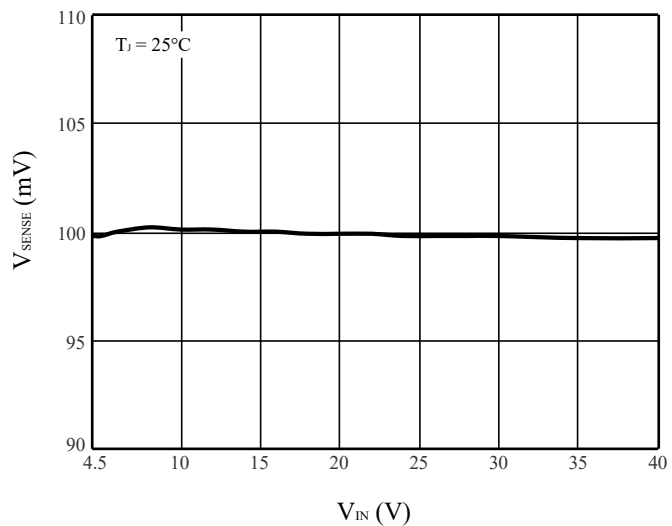


Figure 6 V_{SENSE} vs. V_{IN}

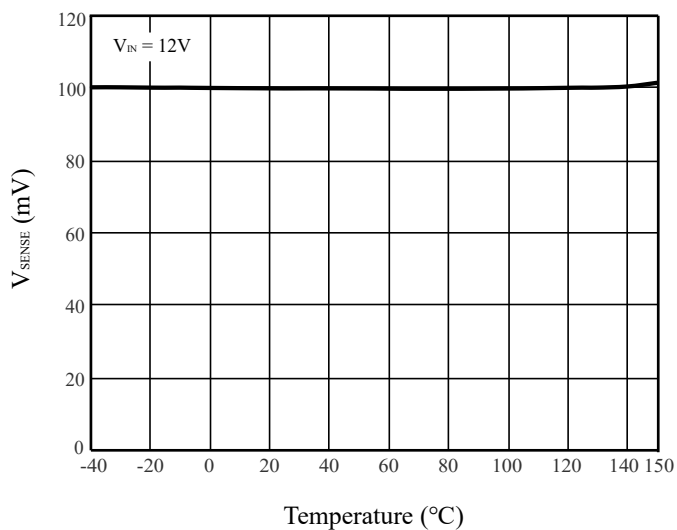


Figure 7 V_{SENSE} vs. T_J

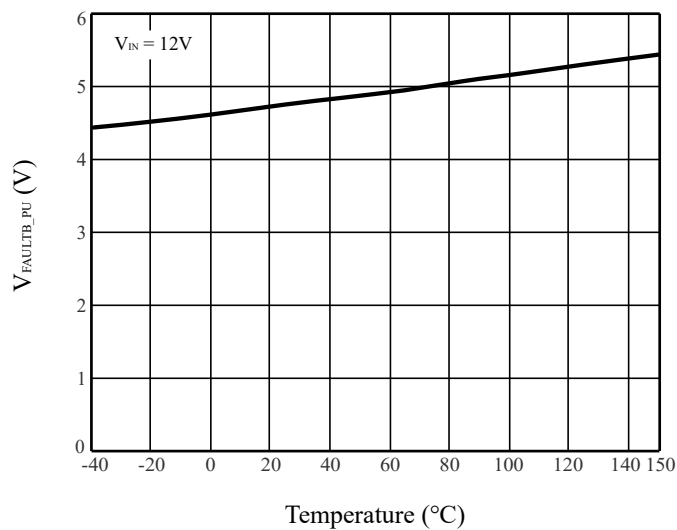


Figure 8 V_{FAULTB_PU} vs. T_J

IS32LT3141A

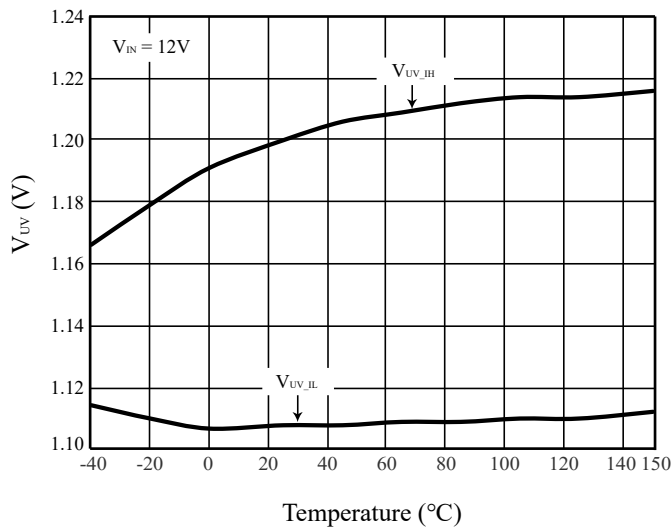


Figure 9 V_{UV} vs. T_J

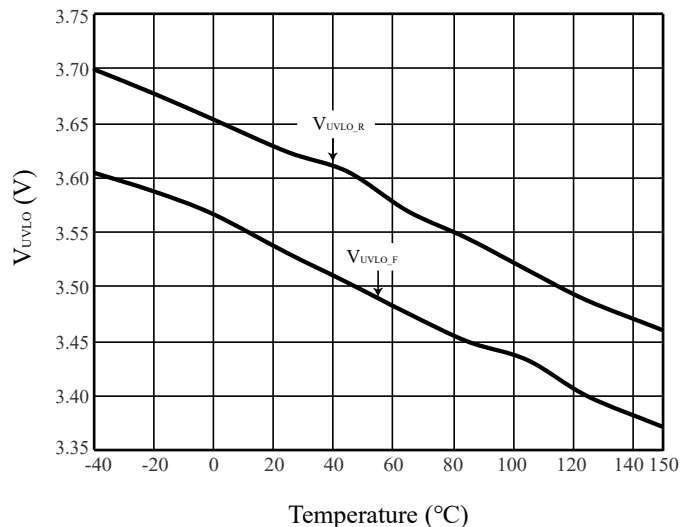


Figure 10 V_{UVLO} vs. T_J

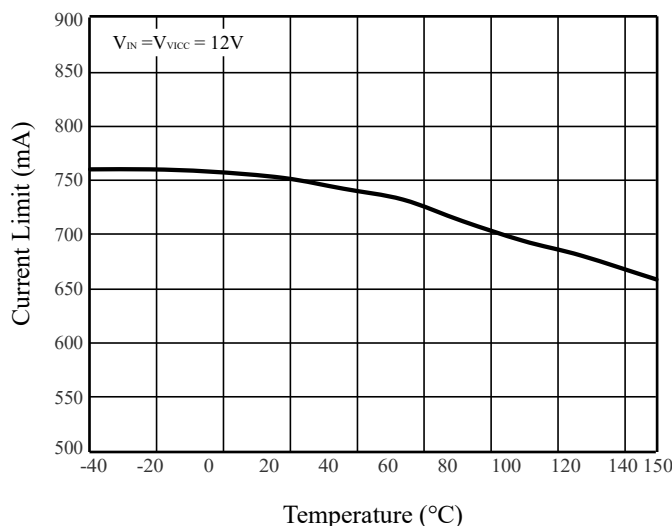


Figure 11 I_{OUT_L} vs. T_J

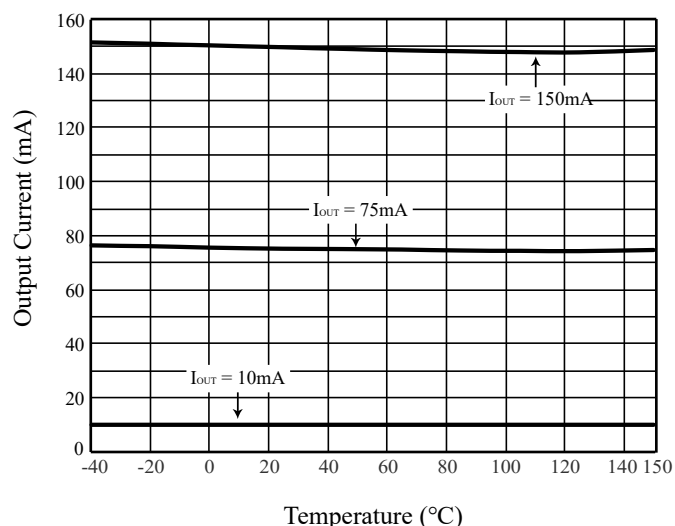


Figure 12 I_{OUT} vs. T_J

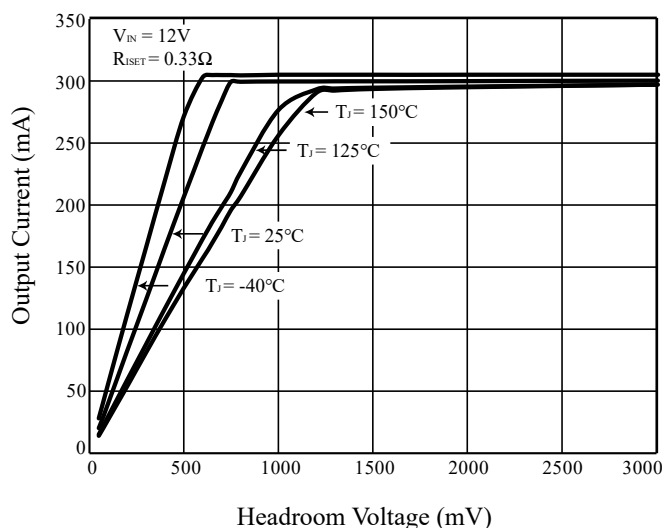


Figure 13 Output Current vs. Headroom Voltage

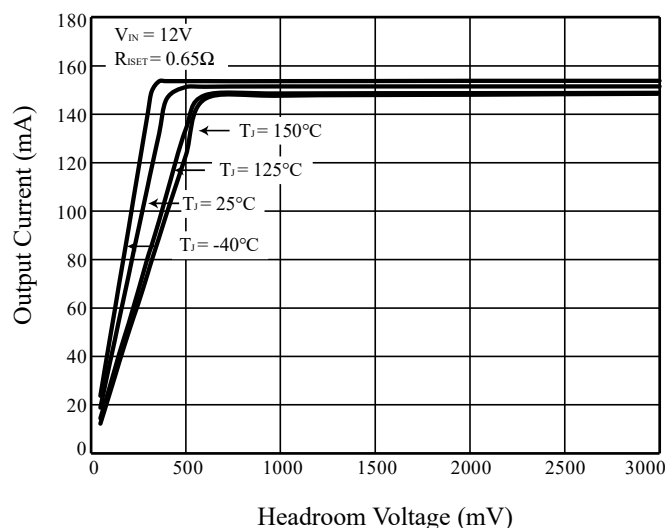


Figure 14 Output Current vs. Headroom Voltage

IS32LT3141A

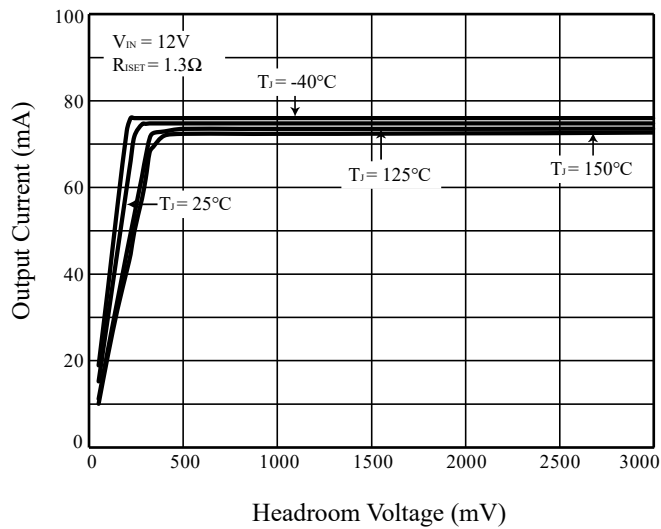


Figure 15 Output Current vs. Headroom Voltage

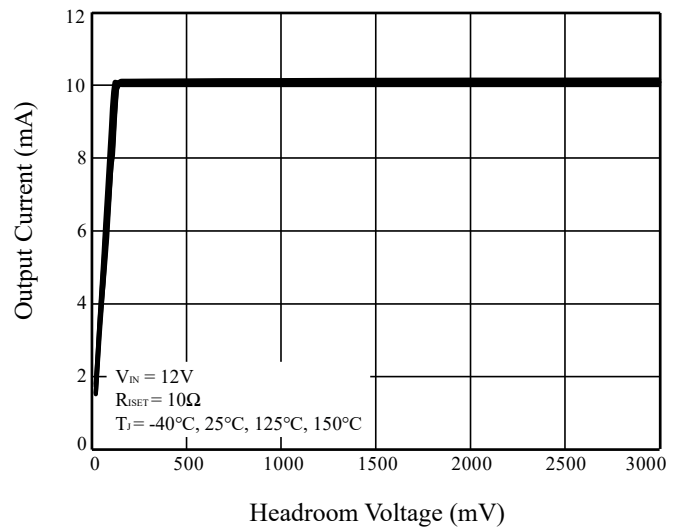


Figure 16 Output Current vs. Headroom Voltage

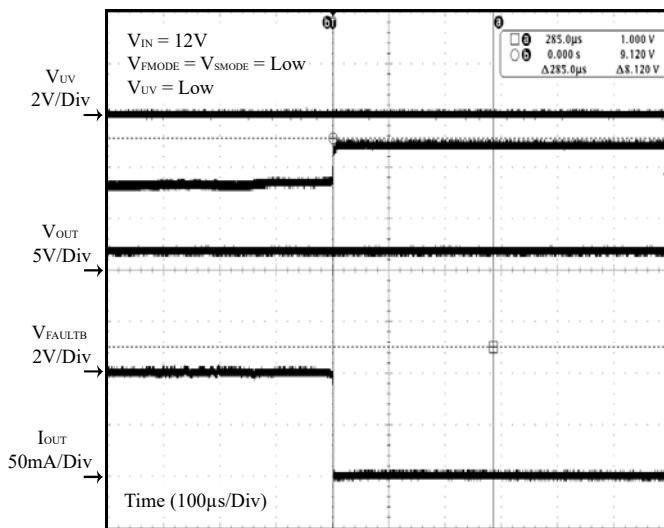


Figure 17 Output Open

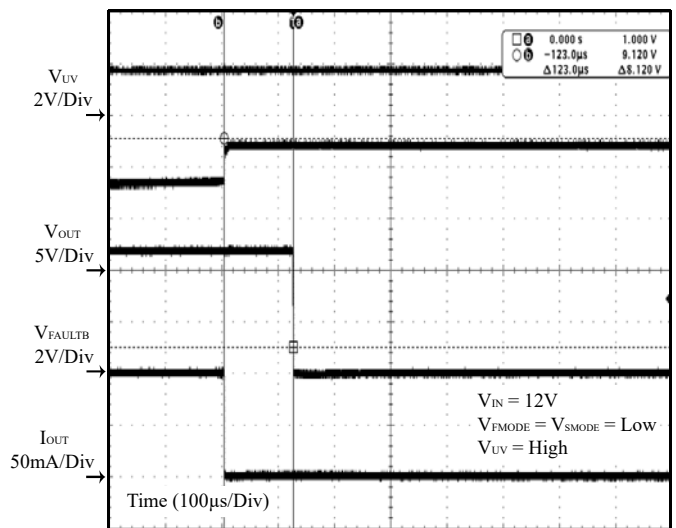


Figure 18 Output Open

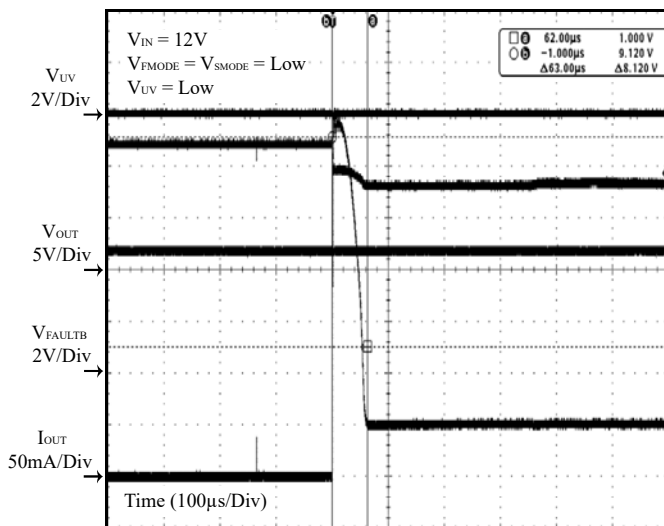


Figure 19 Output Open Fault Remove

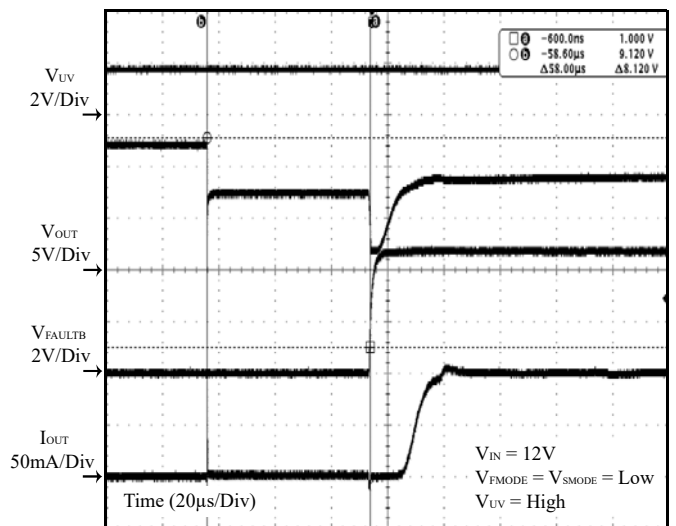


Figure 20 Output Open Fault Remove

IS32LT3141A

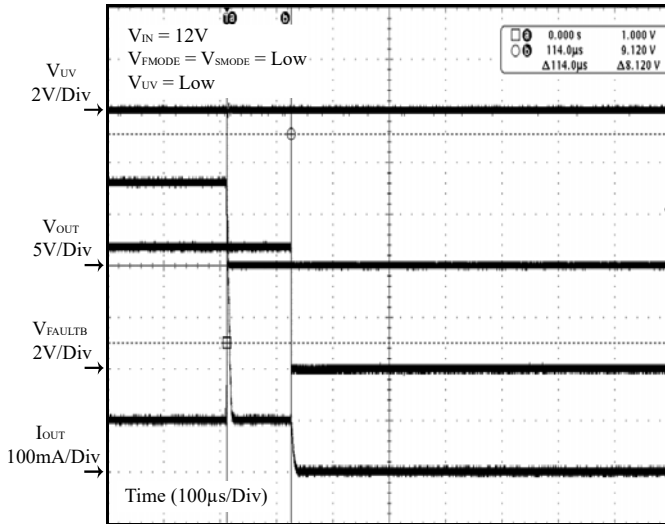


Figure 21 Output Short

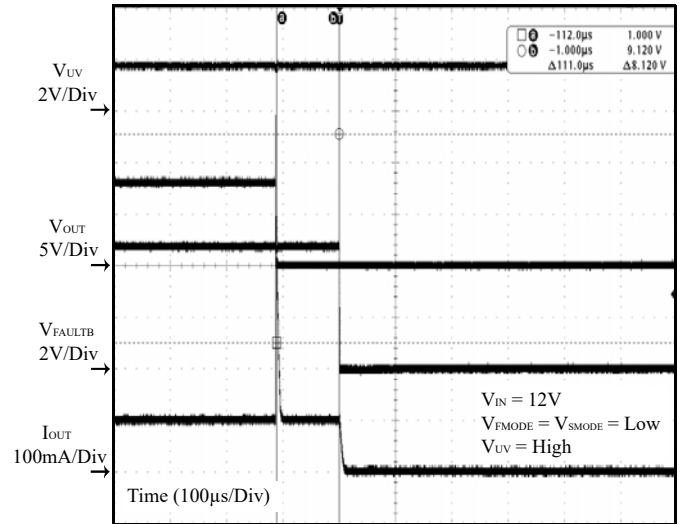


Figure 22 Output Short

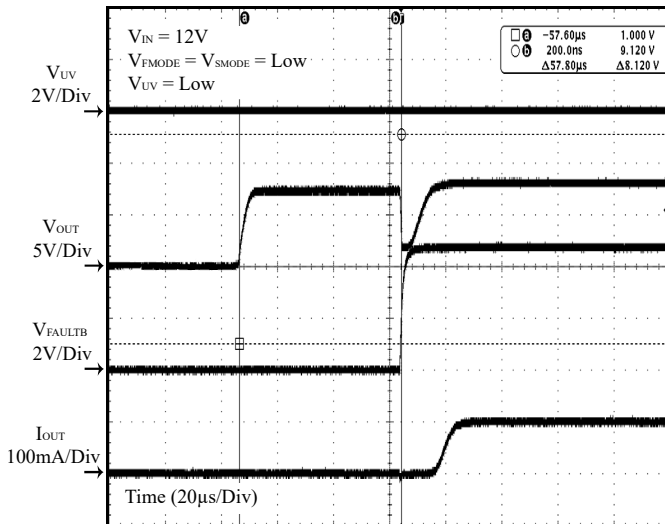


Figure 23 Output Short Fault Remove

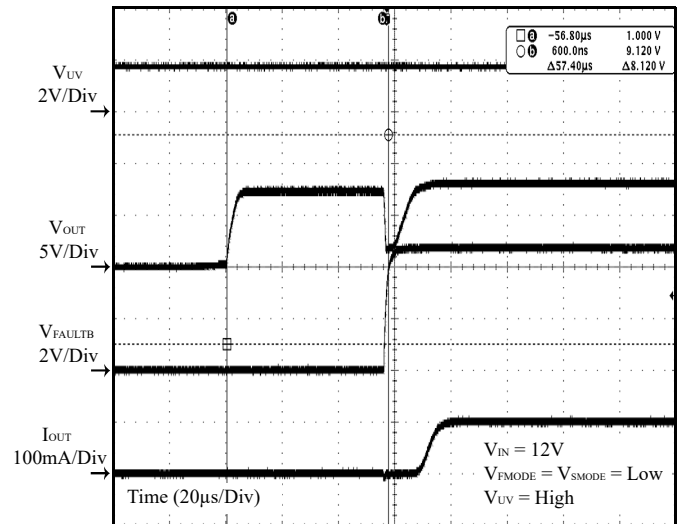


Figure 24 Output Short Fault Remove

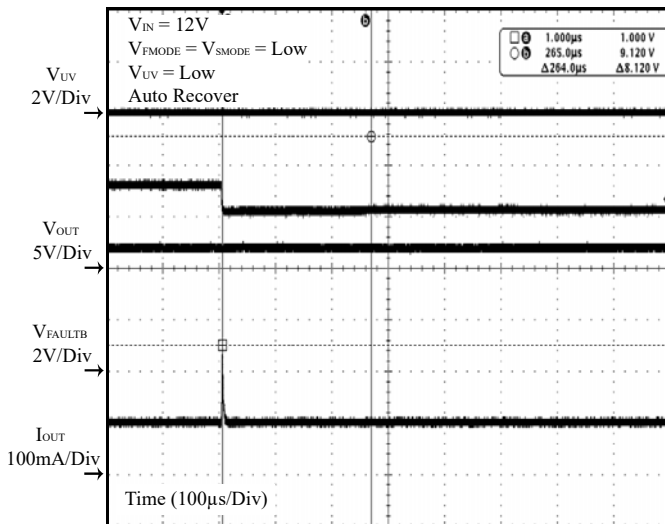


Figure 25 Single LED Short (Auto Recover)

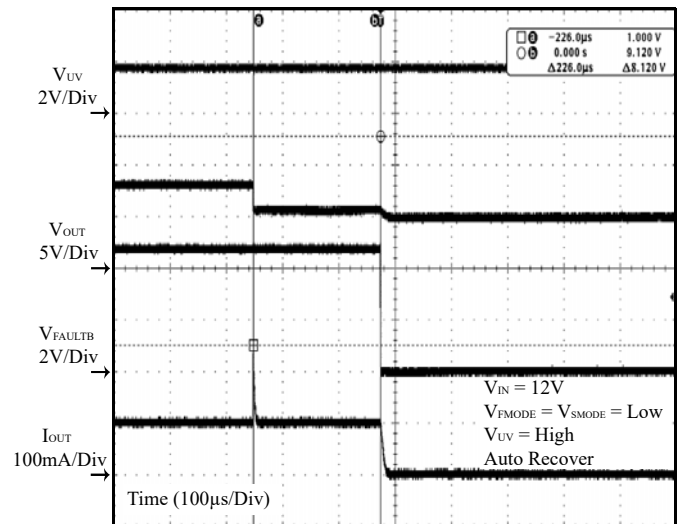


Figure 26 Single LED Short (Auto Recover)

IS32LT3141A

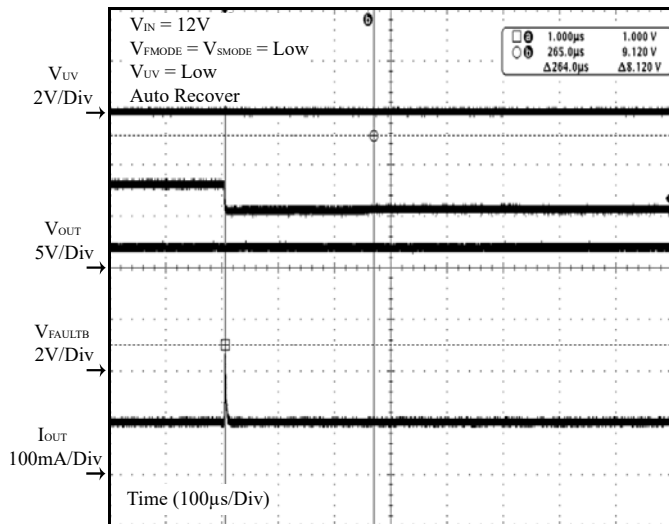


Figure 27 Single LED Short Remove (Auto Recover)

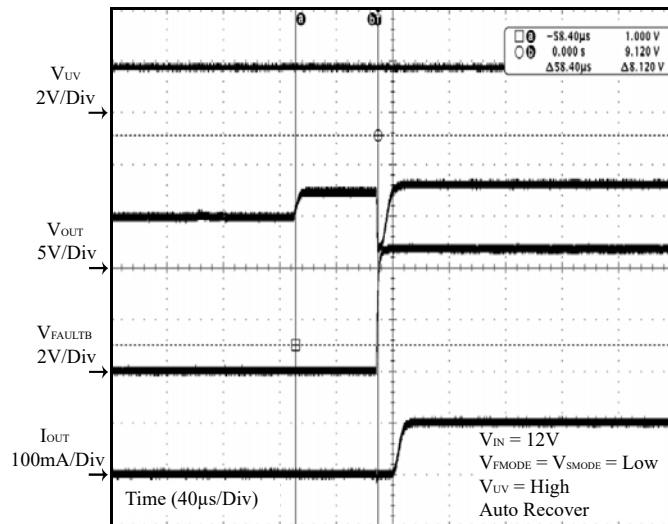


Figure 28 Single LED Short Remove (Auto Recover)

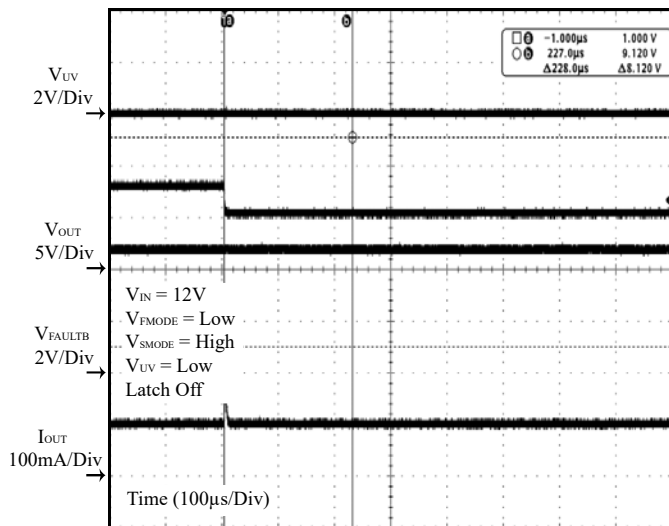


Figure 29 Single LED Short (Latch Off)

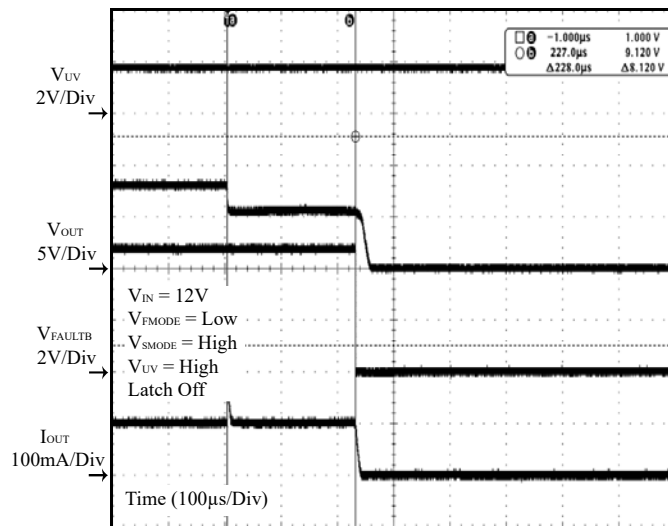


Figure 30 Single LED Short (Latch Off)

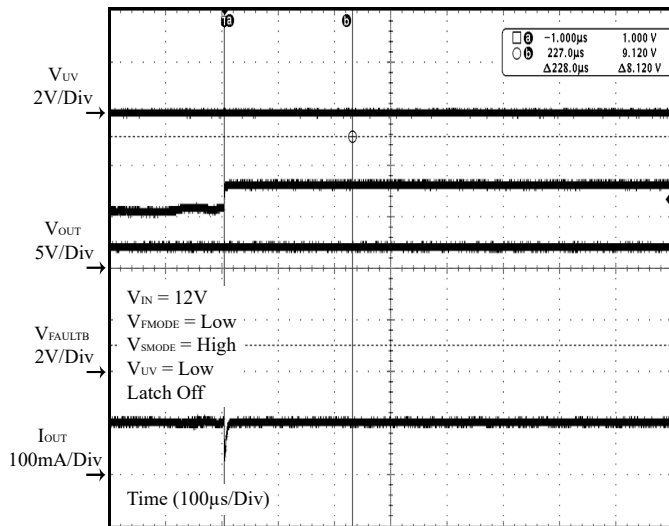


Figure 31 Single LED Short Remove (Latch Off)

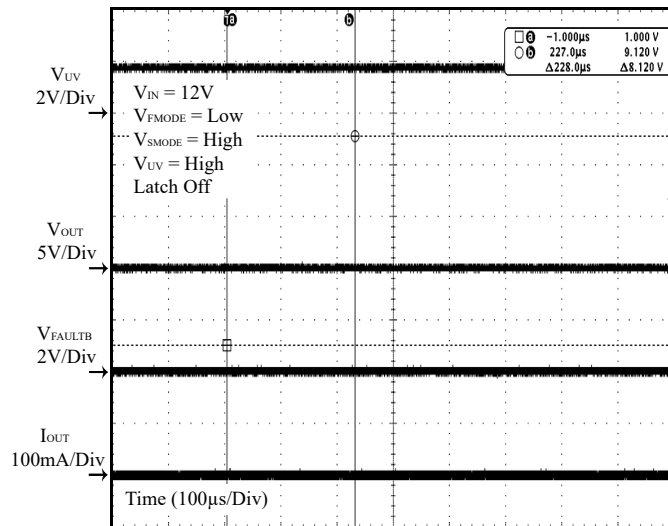


Figure 32 Single LED Short Remove (Latch Off)

IS32LT3141A

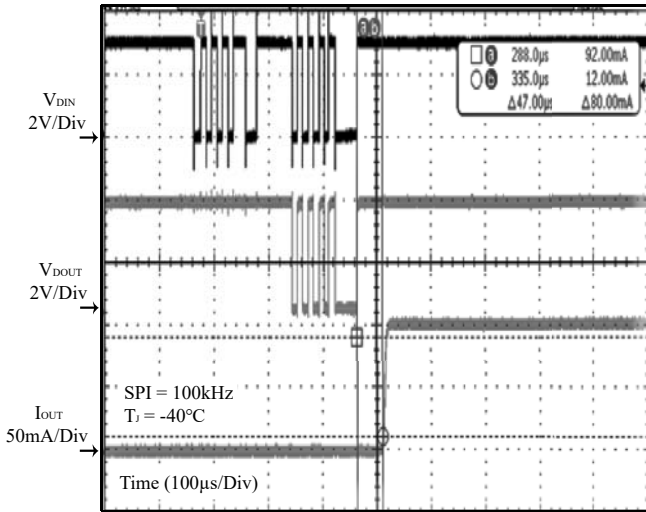


Figure 33 Onewire Bus – “ON” and “LATCH” Control

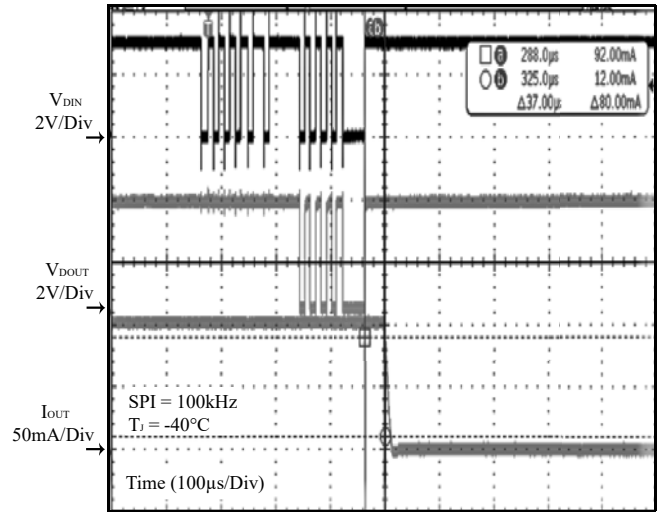


Figure 34 Onewire Bus – “OFF” and “LATCH” Control

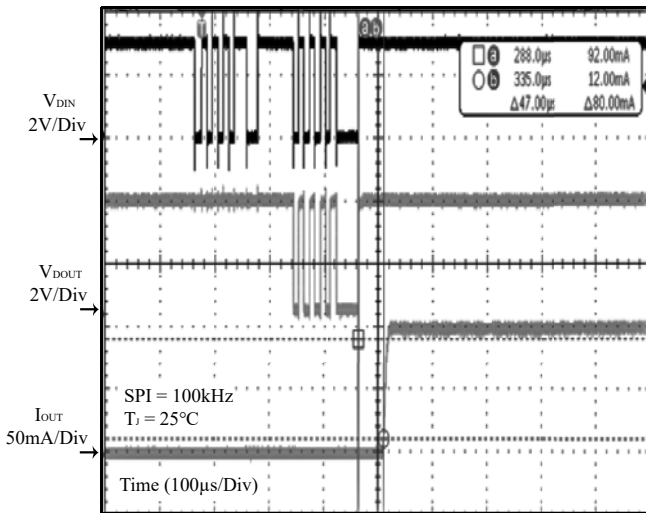


Figure 35 Onewire Bus – “ON” and “LATCH” Control

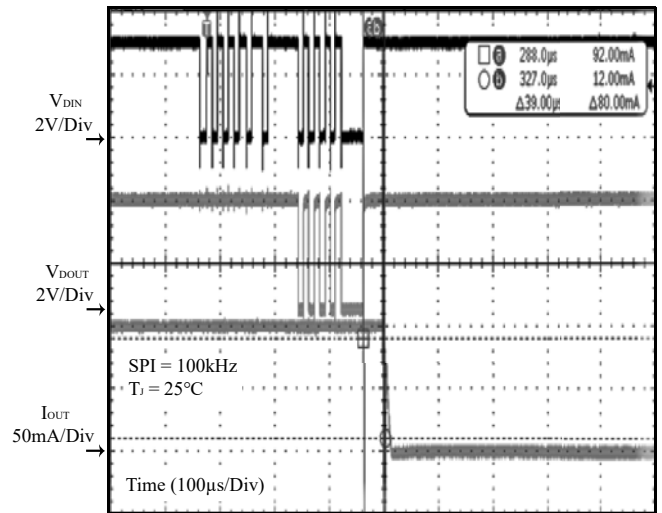


Figure 36 Onewire Bus – “OFF” and “LATCH” Control

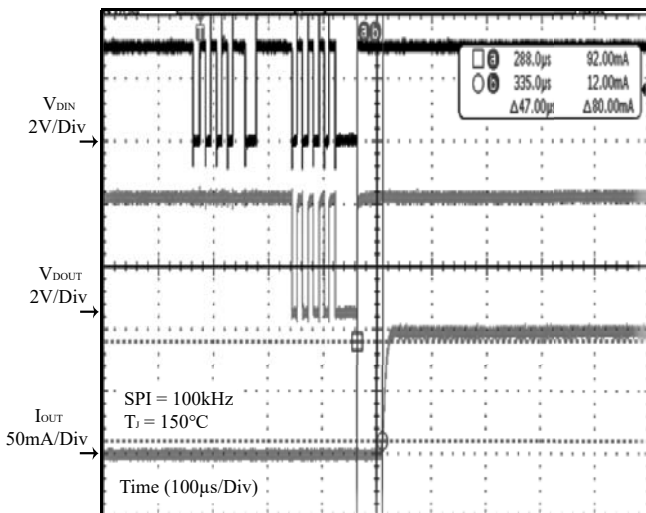


Figure 37 Onewire Bus – “ON” and “LATCH” Control

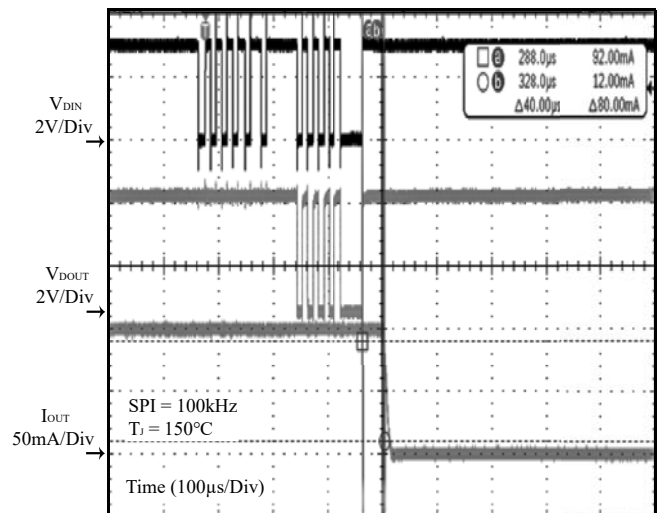


Figure 38 Onewire Bus – “OFF” and “LATCH” Control

IS32LT3141A

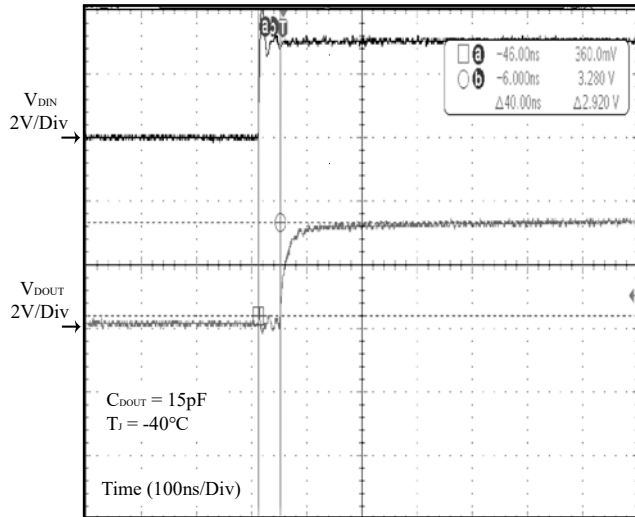


Figure 39 DIN and DOUT Propagation Delay Time

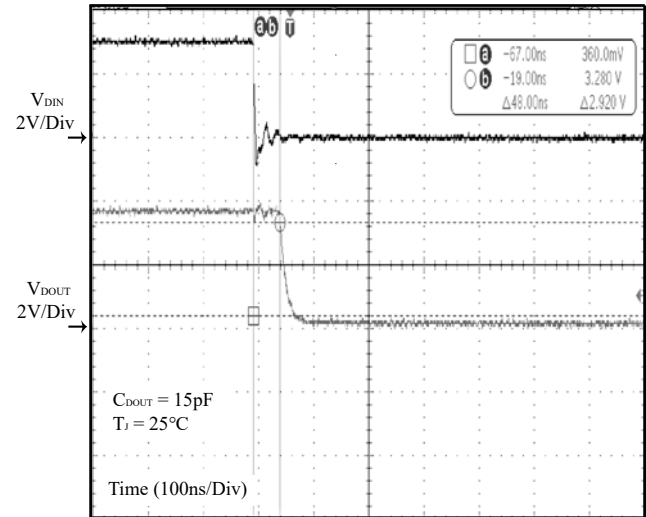


Figure 40 DIN and DOUT Propagation Delay Time

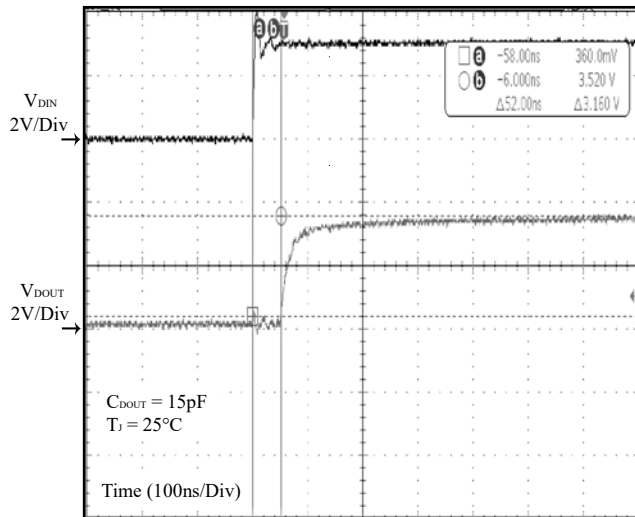


Figure 41 DIN and DOUT Propagation Delay Time

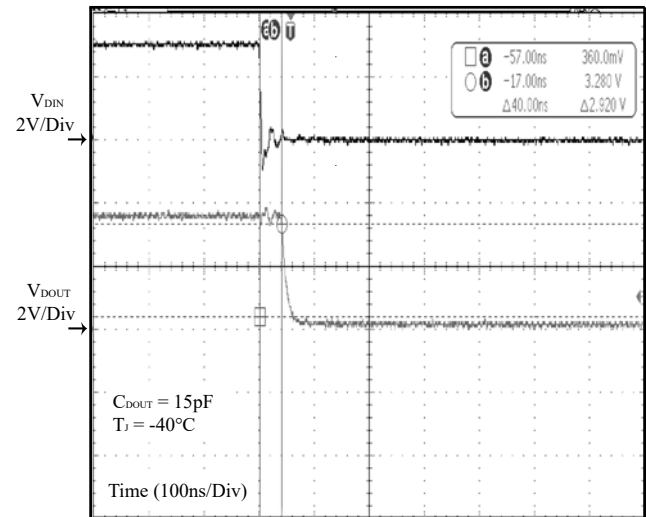


Figure 42 DIN and DOUT Propagation Delay Time

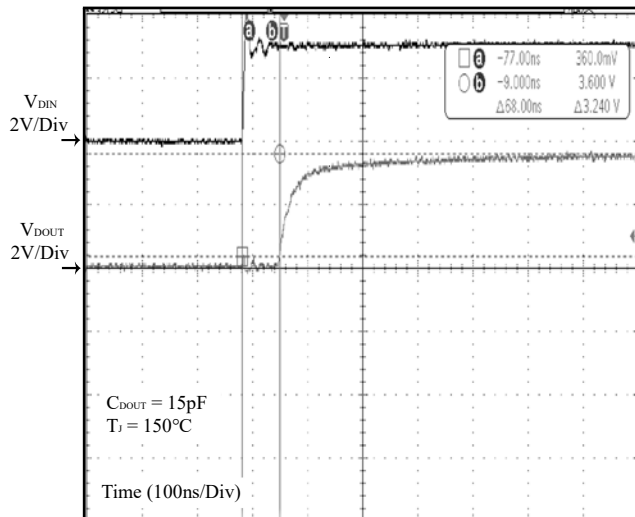


Figure 43 DIN and DOUT Propagation Delay Time

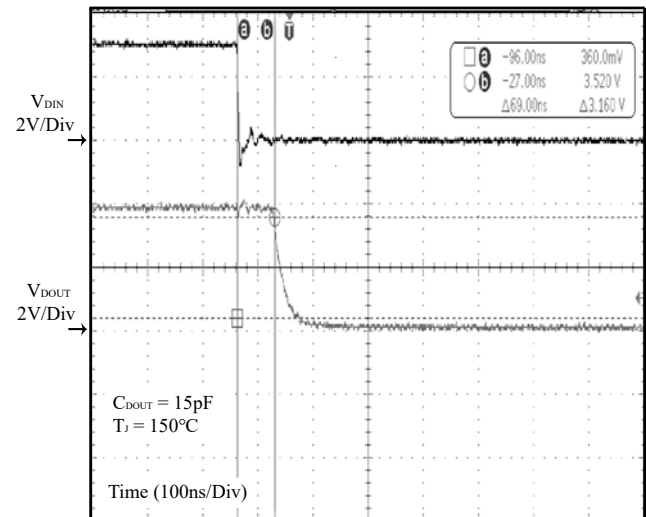


Figure 44 DIN and DOUT Propagation Delay Time

IS32LT3141A

APPLICATION INFORMATION

The IS32LT3141A is a programmable linear current source capable of regulating a constant current up to 450mA. A single resistor R_{ISET} is connected across the VIN and VICC pins to set the output current value. The current flows from the power supply through the R_{ISET} resistor into the VICC pin and internal current source and out from OUT pin to LED string. The device senses the voltage drop on the R_{ISET} resistor and an internal regulation loop drives the output current source to regulate the voltage drop on the R_{ISET} resistor at V_{SENSE} .

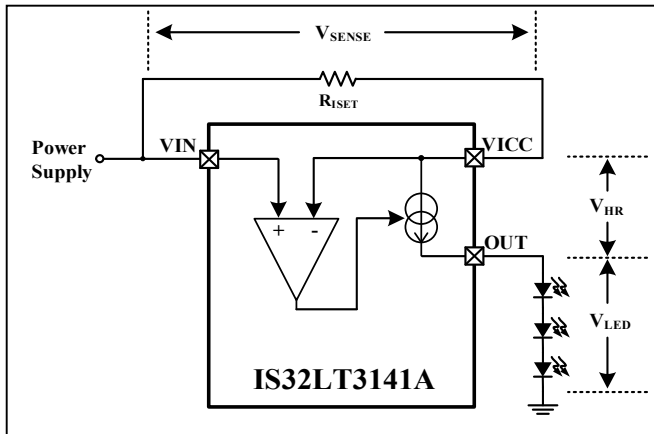


Figure 45 Constant Current Regulation

OUTPUT CURRENT SETTING

The regulated maximum LED current is set by the current sense resistor R_{ISET} . The R_{ISET} resistor value can be calculated using the following equation:

$$R_{ISET} = \frac{V_{SENSE}}{I_{LED}} \quad (1)$$

Where I_{LED} is the desired LED current in Amp and R_{ISET} is in Ω . V_{SENSE} is current sense voltage, 0.1V typical.

It is recommend that R_{ISET} be a 1% accuracy resistor with good temperature characteristic to ensure stable and precise output current. On the PCB layout, this resistor must be placed as close to VIN pin and VICC pin as possible to avoid noise interference.

When the desired current is high, the power rating also should be considered. The maximum power dissipation on the R_{ISET} resistor is calculated by:

$$P_{R_{ISET}} = V_{SENSE} \times I_{LED} \quad (2)$$

A single high wattage resistor or several small wattage resistors in parallel can be used to sustain the power dissipation.

The device is protected from an output overcurrent condition caused by R_{ISET} resistor. The output current

is limited to an I_{OUT_L} value of -600mA should a low value resistor be connected to VIN and VICC pins.

DEVICE ENABLE AND SHUTDOWN

The EN pin is an enable input for the device, pull it higher than V_{IH} to enable the device; pull it lower than V_{IL} to force the device into shutdown mode with an ultralow quiescent current. If the shutdown mode is unused, connect the EN pin to the VIN pin via a series resistor (recommended value is 10k Ω).

UNDER VOLTAGE LOCKOUT (UVLO)

IS32LT3141A features an under voltage lockout (UVLO) function on the VIN pin to prevent misoperation at low input voltages. The UVLO threshold is an internally fixed value and cannot be adjusted. The device is enabled when the V_{IN} voltage exceeds V_{UVLO_R} (Typ. 3.2V), and disabled when the V_{IN} voltage falls below V_{UVLO_F} (Typ. 3.0V).

ONEWIRE SERIAL BUS

An external MCU can easily control output ON/OFF of multiple IS32LT3141A slaves through a onewire serial BUS. As shown in Figure 50. The protocol uses a single data line with cascaded connection between slaves for data transmission. A clock is not required as each slave is clocked by an internal oscillator which is synchronized in-coming command frame from the MCU. Therefore, this protocol significantly simplifies the MCU I/O requirement. A single push-pull I/O can control upto 30 slaves. The onewire serial BUS implements simplex communication. The MCU initiates all transfers on the data line. Transfer of data can only be from the MCU to the slaves and the achievable data rate ($1/T_C$) range is 10kbps to 100kbps. The idle state of the onewire serial BUS is logic high.

There only four types of command frames possible on the data line:

Table 1 Onewire Serial BUS Command

Command	Function
ON	Stores ON data into internal data buffer and closes path switch
OFF	Stores OFF data into internal data buffer and closes path switch
LATCH	Latch ON/OFF data from internal data buffer to output stage (output current source) and opens path switch
RESET	Reset state machine to standby mode and opens path switch

IS32LT3141A

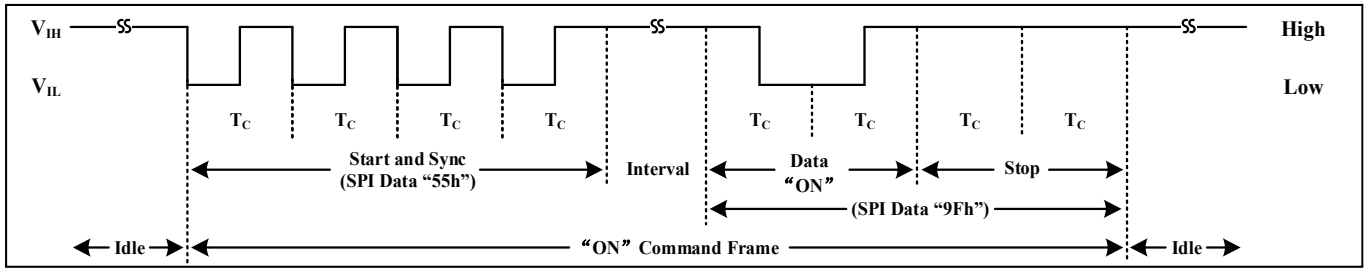


Figure 46 Onewire Serial BUS "ON" Command Frame

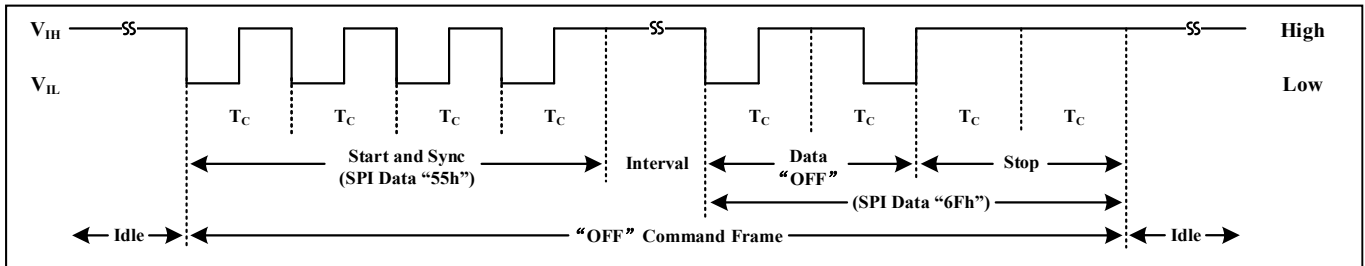


Figure 47 Onewire Serial BUS "OFF" Command Frame

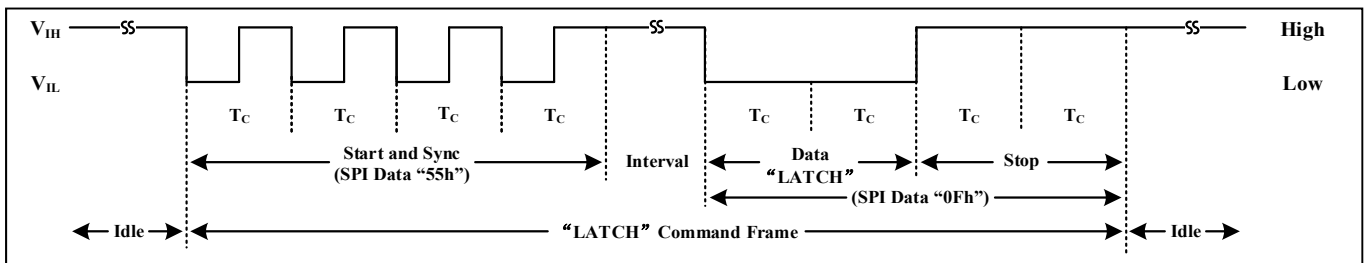


Figure 48 Onewire Serial BUS "LATCH" Command Frame

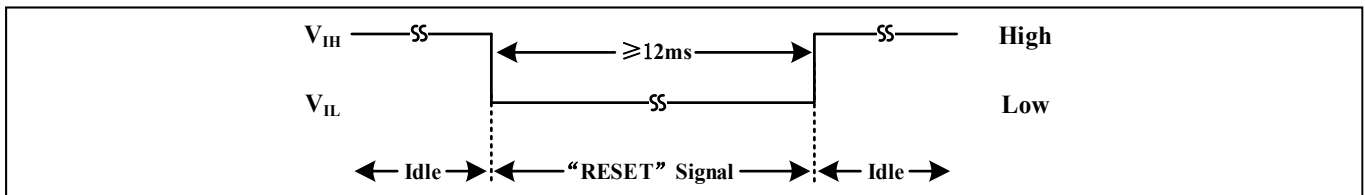


Figure 49 Onewire Serial BUS "RESET" Signal

The frame of "ON", "OFF" and "LATCH" command consists of the "Start and Sync" signal, the interval time, the "Data" signal and the "Stop" signal. The "Start and Sync" signal is $4 \times T_C$ which starts the command frame transmission and synchronizes the transmission data rate to the slaves. The synchronized data rate will be stored in the slaves until the next "Start and Sync" signal. A logic high interval time no longer than 10ms is allowed between the "Start and Sync" signal and "Data" signal. Both the "Data" and "Stop" signals are $2 \times T_C$ and their data rate must be identical with the "Start and Sync" signal. The "Stop" signal ends the command frame transmission.

In a typical application, the MOSI line of a common SPI hardware interface with MODE 3 (CPOL=High and CPHA =2 Edge) can be used for "ON", "OFF" and "LATCH" command frames transmission, and leave the other lines (CS, SCK and MISO) of the SPI interface floating. The data rate of the SPI interface should be set at $2/T_C$. Then the "Start and Sync" signal can be transferred by one byte of SPI command. The "Data"

signal and the "Stop" signal can be transferred by another byte of SPI command. As Table 2.

Table 2 SPI Data for Onewire Serial BUS Command

Onewire Serial BUS Command	SPI MOSI Data (HEX)	
	Start and Sync	Data and Stop
ON	55h	9Fh
OFF	55h	6Fh
LATCH	55h	0Fh

After SPI interface initialization, the MOSI line may be in a logic low state. Please force the SPI to send a "FFh" data after to get a logic high for the onewire serial BUS idle state, See Figure 52 and 53 program flow chart.

Driving the onewire serial BUS low for a period of at least 12ms results in a "RESET" signal which resets the state machine of IS32LT3141A to an initial known-good

IS32LT3141A

standby mode for receiving command frames. The IS32LT3141A immediately aborts any command frame receiving action and opens the internal path switch. After power up, the MCU must send a “RESET” signal to initialize the onewire serial BUS. Note that, since the MOSI line is not able to send a $\geq 12\text{ms}$ low pulse, the MOSI pin should be configured as push-pull I/O mode to send the “RESET” signal.

As shown in Figure 50. There is a path switch and a data buffer inside each IS32LT3141A device. The path switch is used to connect the DIN to the DOUT. After power up, all IS32LT3141A slaves are in standby mode for command receiving, their path switches in open state and their output stage (output current source) in off state.

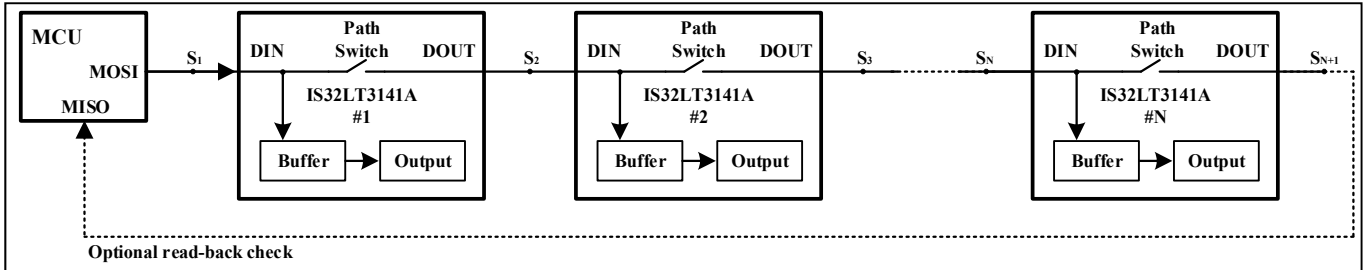


Figure 50 Onewire Serial BUS Connection

Figure 51 shows command frames transmission process. Due to DOUT being disconnected from its corresponding DIN, when the MCU sends out first “ON” or “OFF” command frame, only the #1 slave closest to the MCU can receive the command frame. If the command frame is valid, the #1 slave will store the received command into its internal data buffer and close its path switch. After that, this #1 slave will ignore the next “ON” or “OFF” command frames from the BUS. When the MCU sends out the next “ON” or “OFF” command frame, the #2 slave is able to receive this command frame through the #1 slave. The #2 slave stores the valid command into its internal buffer and close its path switch and ignore the next “ON” or “OFF” command frames. In the same way, if all “ON” or “OFF” command frames are valid, the MCU is able to send the corresponding “ON” or “OFF” command to each slave

in turn without requiring a device address. The MCU only needs to be aware of the number of devices on the onewire bus so it sends out the right number of commands.

Once the last slave storing a valid “ON” or “OFF” command, the path switches of all slaves are closed, therefore the DIN of the #1 slave is connected to the DOUT of the last slave through the path switches of all devices. The next “LATCH” command frame from the MCU is presented to all slaves and the DOUT pin of the last slave, that simultaneously latches the “ON/OFF” command from the slaves’ internal data buffers to the output stages (output current source) and then opens all the path switches. Repeating the command frame transmission progress, the MCU is able to individually control the output ON/OFF of each slave.

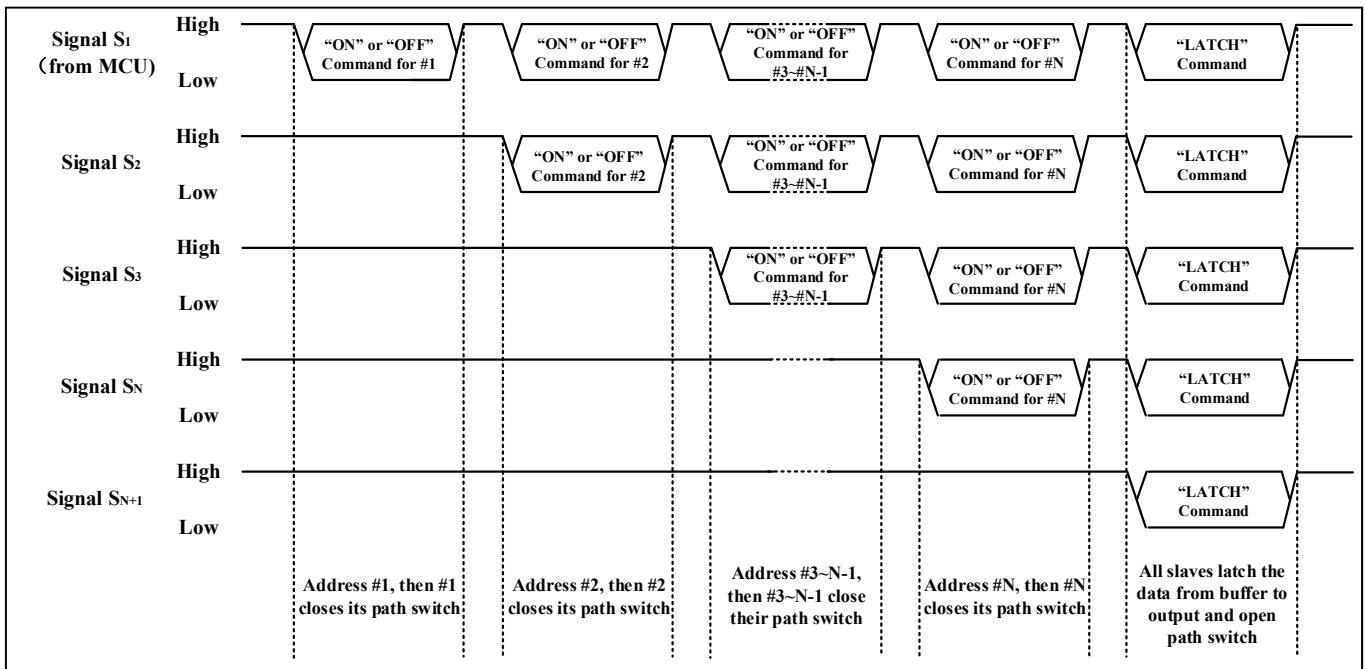


Figure 51 Command Frames Transmission Process

IS32LT3141A

During the command frame transmission process, if any “ON” or “OFF” command is invalid (such as illegal format, inconsistent data rate and so on), the corresponding slave will not store the invalid command into its data buffer so its path switch will remain in the open state. The sequential transmissions will be off. Since the onewire serial BUS is a simplex communication, the MCU cannot know whether the command frame transmission sequence was successful or not. To get a robust transmission, there are two methods to avoid this communication interruption condition:

- 1) Each “LATCH” command frame should be followed with a “RESET” signal which resets the onewire serial BUS and gets it ready for the next transmission process. As Figure 52 program flowchart.

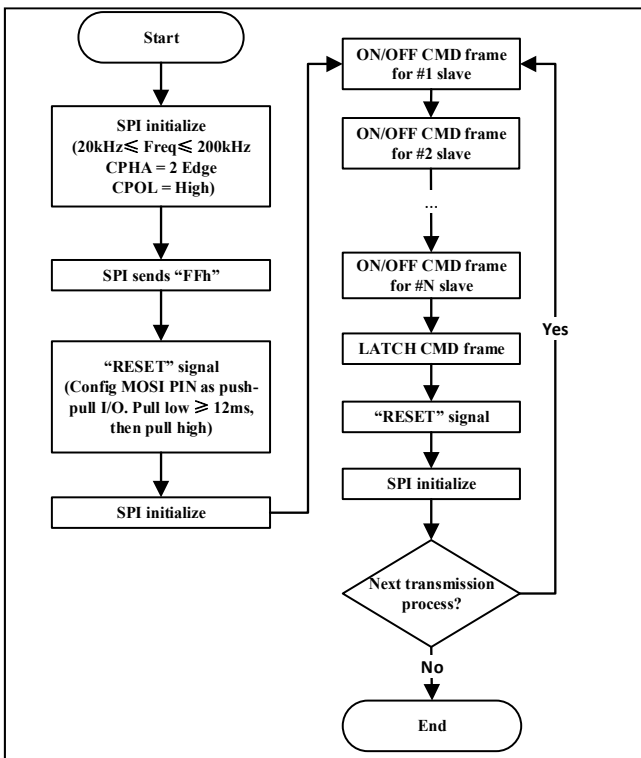


Figure 52 Flowchart “LATCH” Follows with “RESET”

- 2) Connect the DOUT of the last slave to the MISO line of the SPI interface for a real-time monitoring of the last command frame. As Figure 50. During the “ON” or “OFF” command frame transmission, the DOUT of the last slave should remain in idle state (logic high). All data read by the MISO line must be “FFh”. Otherwise the onewire serial BUS is in abnormal state. The MCU should abort the command frame transmission and send out a “RESET” signal to reset the onewire serial BUS. If all “ON” or “OFF” command frames are successfully transferred and the “LATCH” command frame is sent out, the data read by the MISO line must be “55h” and “0Fh”, otherwise the onewire serial BUS is in abnormal state. The MCU should abort the

command frames transmission and send out a “RESET” signal to reset the onewire serial BUS. As Figure 53 program flowchart.

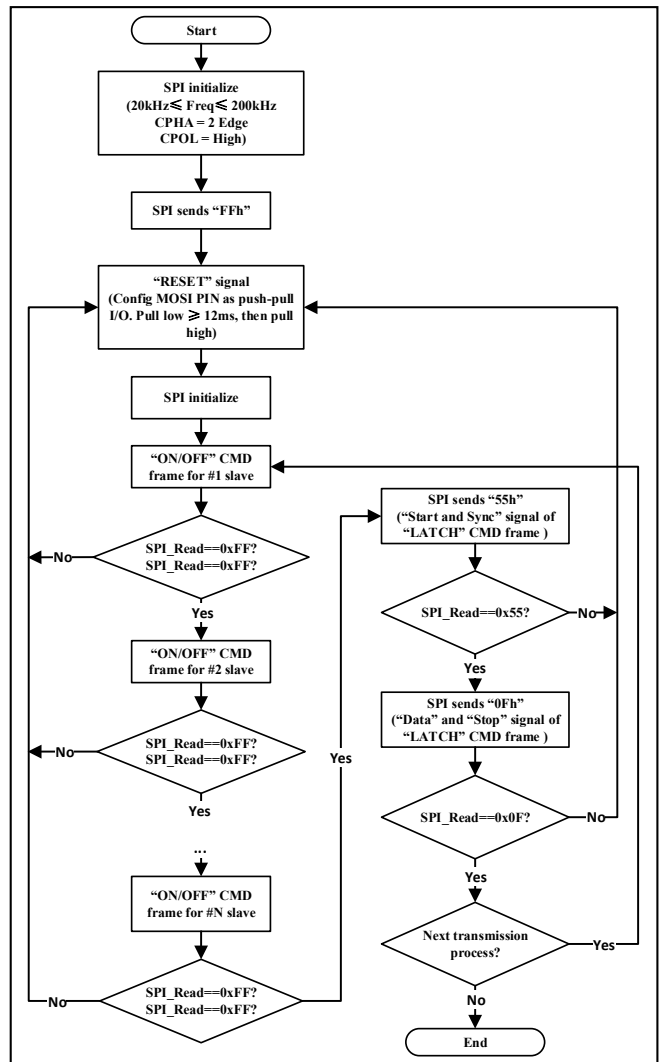


Figure 53 Flowchart MISO Line Monitors DOUT

ONEWIRE SERIAL BUS TIME-OUT

During the idle state (logic high), a low going pulse caused by EMI noise coupling may falsely start the command receiving of the device. The state machine will be stuck in “Start and Sync” signal receiving state and cannot successfully receive the next valid command frame. To prevent that, a time-out timer is started on the low going pulse. Once the time-out period (9ms Typ.) expires, the state machine automatically exits from the “Start and Sync” signal receiving state and goes into the standby mode for command frame receiving.

COMMUNICATION RELIABILITY

To mitigate the EMI noise interference, the copper traces of the onewire BUS cascaded connection on PCB board should be as short and thin as possible. It is recommended to surround them by ground plane.

Since the onewire serial BUS is asynchronous communication, the duty cycle (D_{DIN}) of T_C , which

IS32LT3141A

includes both of logic high and logic low, is critical for the communication success. It must be controlled within 35%~65%. Due to the propagation delay time asymmetry of signal rising edge and falling edge, the more devices cascaded, the greater duty cycle D_{DIN} varies. When cascaded devices is up to 30, a lower data rate could be used to ensure the communication reliability. In order to improve EMI immunity, a noise decoupling capacitor might be considered to be added from each DIN pin to ground. However, the capacitor brings in more propagation delay time asymmetry. So a too large capacitor is not recommended. A 10pF capacitor is sufficient for most applications. This capacitor should be placed as close to the DIN pin as possible.

FAULT PROTECTION AND REPORTING

For a robust system reliability, the IS32LT3141A integrates the detection circuitry to protect various fault conditions and report the fault conditions on the FAULTB pin which can be monitored by an external host. The fault protections include LED string open/short, single LED short, output over-current (not reported) and thermal shutdown. The FAULTB pin is an open drain structure with an internal 50k Ω (Typ.) resistor pulled up to an internal 4.5V (Typ.) LDO so it is allowed to float. The FAULTB pin will go low when the device enables fault detection and detects a fault condition. Refer to Table 3 and 4.

The FMODE is fault protection mode set pin. If the FMODE pin is set high (connected to VIN via a resistor, recommend 10k Ω), the fault protection is in 'one fail other on' mode, see Table 4; the FAULTB pin supports output function only. If the FMODE pin is set low (connected to GND), the fault protection is in 'one fail all fail' mode, see Table 3; the FAULTB pin supports both input and output functions. Externally pulling FAULTB pin low will disable the output. For lighting systems with multiple IS32LT3141A drivers which require the complete lighting system be shut down when a fault is detected, the FMODE pin should be tied low then the FAULTB pin can be used in a parallel connection. A fault output by one device will pull low the FAULTB pins of the other parallel connected devices and simultaneously turn them off. This satisfies the "one fail all fail" operating requirement.

LED STRING OPEN PROTECTION

The LED string open detection is enabled if the UV pin voltage is above its rising voltage threshold, V_{UV_IH} , and disabled if below its falling voltage threshold, V_{UV_IL} . A proper resistor divider (R_{UV1} and R_{UV2}) connected from VIN pin to UV pin can set a UVLO function for LED string open protection, which is to prevent insufficient V_{IN} falsely triggering LED string open and single LED short detections. The UVLO voltage threshold is programmed by the resistor divider (Figure 54).

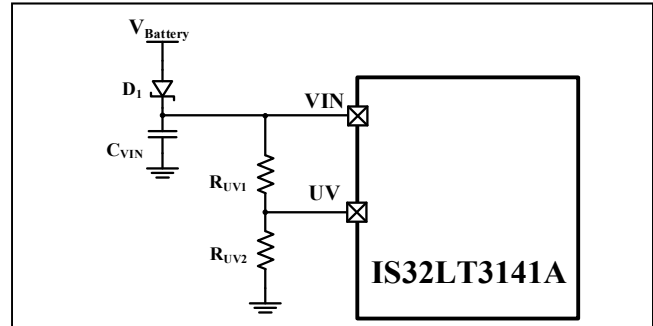


Figure 54 UVLO for LED String Open/Single LED Short Detection

$$V_{UVLO_FLTF} = V_{UV_IL} \times \frac{R_{UV1} + R_{UV2}}{R_{UV2}} \quad (3)$$

$$V_{UVLO_FLTR} = V_{UV_IH} \times \frac{R_{UV1} + R_{UV2}}{R_{UV2}} \quad (4)$$

It is recommend to set V_{UVLO_FLTF} at least 0.5V higher than the LED string voltage. Choose R_{UV1} and R_{UV2} to be 1% accuracy resistors with good temperature characteristic to ensure a stable and precise detection. On the PCB layout, this resistor divider must be placed as close to UV pin as possible to avoid noise interference. If the UV pin is unused, connect it to VIN pin via a resistor (recommended value is 10k Ω).

If the LED string is open, the OUT pin will be pulled up close to V_{IC}C pin voltage by the current source. If $V_{IN} > V_{UVLO_FLTR}$ and the V_{IC}C pin to OUT pin voltage drop, ($V_{VICC} - V_{OUT}$), falls below the open LED detect voltage threshold, V_{OD_R} , and persists for longer than the deglitch time t_{FD_DT} , the LED string open protection will be triggered and FAULTB pin will go low to report the fault condition. The output source will reserve a small current I_{RTR} for recovery detection.

The device will recover to normal operation and FAULTB pin will go back to high once the open condition is removed, ($V_{VICC} - V_{OUT}$) rising above the open LED detect voltage threshold, V_{OD_F} .

LED STRING SHORT PROTECTION

The LED string short condition is detected if the OUT pin voltage is lower than the short detect voltage threshold, V_{SCD_F} . Once short condition occurs and persists for longer than the deglitch time t_{FD_DT} , the LED string short protection will be triggered the FAULTB pin will go low to report the fault condition. The output source will reserve a small current I_{RTR} for recovery detection.

The device will recover to normal operation and FAULTB pin will go back to high once the short condition is removed, OUT pin voltage rising above the short detect voltage threshold, V_{SCD_R} .

SINGLE LED SHORT PROTECTION

The IS32LT3141A supports signal LED short detection

IS32LT3141A

by the SDH and SDL pins. The detection is enabled/disabled by UV pin as well to prevent insufficient V_{IN} falsely triggering. Please refer to Figure 54 and Equations 3 and 4.

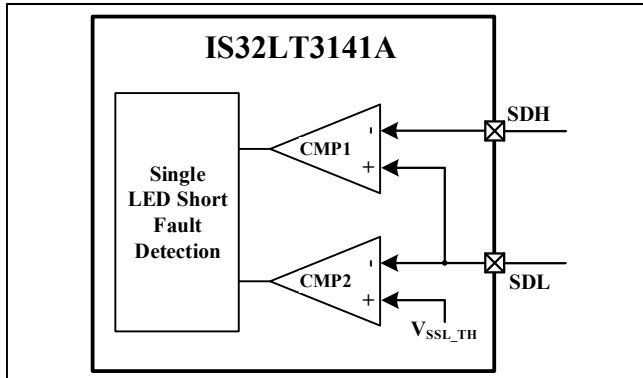


Figure 55 Single LED Short Detection

IS32LT3141A integrates two precise comparators to monitor and implement single LED short detection. The comparator CMP1 monitors the voltage difference between SDH pin and SDL pin, ($V_{SDL}-V_{SDH}$), and the comparator CMP2 monitors the voltage from the SDL pin to GND, V_{SDL} . In case of $V_{IN}>V_{UVLO_FLTR}$ and either ($V_{SDL}-V_{SDH}$) is greater than the internal high-side voltage threshold V_{SSH_TH} , or V_{SDL} drops below the internal low-side voltage threshold V_{SSL_TH} and persists for longer than the deglitch time t_{FD_SS} , the single LED short protection will be triggered and the FAULTB pin will go low to report the fault condition.

In the application, the SDL pin is connected to the anode of the bottom LED and the SDH is connected to OUT pin via a proper resistor divider; Figure 56 (A). The device uses the input voltage of the SDL pin, the forward voltage of the bottom LED, as the reference voltage of the CMP1 to monitor the SDH pin voltage. In case of any upper LED is shorted, the SDH pin voltage V_{SDH} will drop down. If it drops below V_{SDL} but greater than V_{SSH_TH} and persists for longer than the deglitch time t_{FD_SS} , the single LED short protection will be triggered and the FAULTB pin will go low to report the fault condition. The resistor divider ratio can be calculated by:

$$R_{SD1} = (N-1) \times R_{SD2} \quad (5)$$

Where N is the number of LEDs in series. It is recommend that R_{SD1} and R_{SD2} be 1% accuracy resistors with good temperature characteristic and total resistance is greater than 100k Ω to ensure stable and precise detection. On the PCB layout, this resistor divider MUST be placed as close to SDH pin as possible to avoid noise interference.

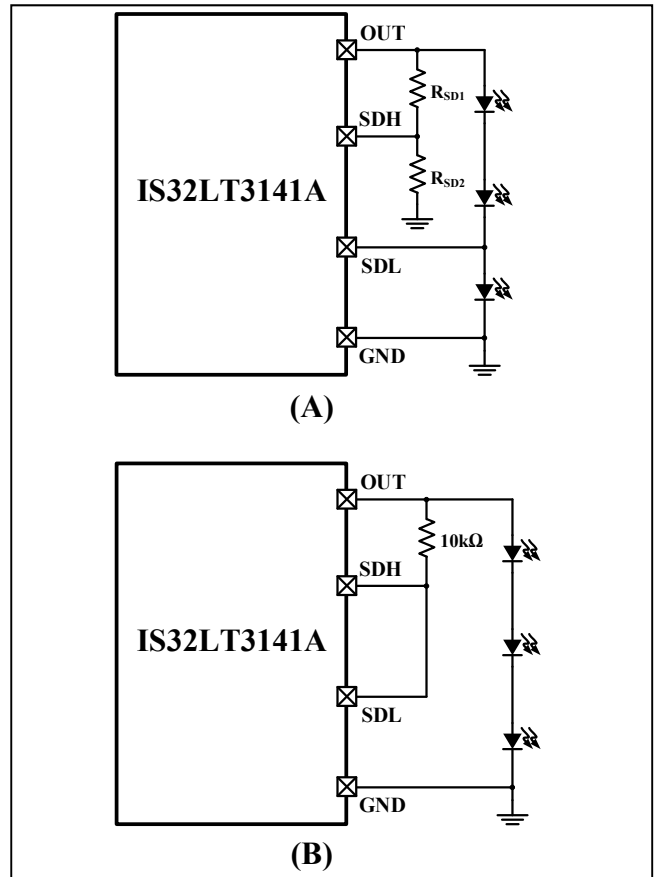


Figure 56 SDH and SDL Connection

Both V_{SDH} and V_{SDL} are equal to a single LED forward voltage in normal operation. However, the LED forward voltage always has deviation from part to part, even within same batch LEDs. If the deviation is greater than V_{SSH_TH} , the single LED short protection may be falsely triggered in normal operation. To prevent that, choose R_{SD1} value to be a slightly smaller than the result of Equation (5) and verify:

$$V_{f_MAX} - \frac{(V_{f_MIN} \times (N-1) + V_{f_MAX}) \times R_{SD2}}{R_{SD1} + R_{SD2}} < V_{SSH_TH_MIN} \quad (6)$$

$$V_{f_MIN} - \frac{(V_{f_MAX} \times (N-2) + V_{f_MIN}) \times R_{SD2}}{R_{SD1} + R_{SD2}} > V_{SSH_TH_MAX} \quad (7)$$

Where V_{f_MAX} and V_{f_MIN} are the maximum and minimum LED forward voltage. $V_{SSH_TH_MAX}$ and $V_{SSH_TH_MIN}$ are the maximum and minimum V_{SSH_TH} . Note that all LEDs in the string must be of same type, mixed type of LEDs will defeat the functionality of single LED short detection.

In the case of the bottom LED shorted, the SDL pin voltage V_{SDL} will drop below V_{SSL_TH} and persist for longer than the deglitch time t_{FD_SS} , the single LED short protection will be triggered and the FAULTB pin will go low to report the fault condition. The SMODE pin is for configuring the output state during the single LED short fault condition.

In “one fail all fail” mode (FMODE pin low):

IS32LT3141A

If the SMODE pin is set low (connected to GND), the output source will reserve a small current I_{RTR} for recovery detection. The remaining LED will be slightly visible. The device will recover to normal operation and FAULTB pin will go back to high once the single LED short condition is removed. In the event of the slight light is not allowed, set the SMODE pin high (connected to VIN via a resistor, recommend 10k Ω), then the single LED short protection will latch the output source at off state until power cycle or toggling EN to reset.

In “one fail other on” mode (FMODE pin high):

In most applications, the SMODE pin should be set high (connected to VIN via a resistor, recommend 10k Ω) to meet “one fail other on”. The remaining LEDs will keep normal current. The FAULTB pin will go back to high once the single LED short condition is removed.

When the single LED short protection is unused, SDH and SDL pins must be connected together to OUT pin via a resistor (recommended value is 10k Ω). As Figure 56 (B).

THERMAL SHUTDOWN

In the event that the junction temperature exceeds T_{SD} (Typ. 175°C), the output source will go to the “OFF” state and FAULTB pin will pull low to report the fault condition. At this point, the IC presumably begins to cool off. Any attempt to toggle the channel back to the source condition before the IC cooled to below ($T_{SD}-T_{HY}$) (Typ. 150°C) will be blocked and the IC will not be allowed to restart. The FAULTB pin will recover to high once the IC has cooled down.

IS32LT3141A

Table 3 Fault Actions Description of “One Fail All Fail”

V _{FMODE} = LOW (ONE FAIL ALL FAIL)						
UV Pin	Fault Type	Fault Condition	Output State		FAULTB Pin (with input function)	Recovery
<V _{UV_IL}	LED string open or OUT short to VIN	Disabled				
	LED string short or OUT short to GND	V _{OUT} <V _{SCD_F}	Outputs I _{RTR} for recovery detection		Pull low (If the FAULB pins of multiple devices are connected together, all devices will be off)	V _{OUT} >V _{SCD_R}
	Single LED short	Disabled				
	Over temperature	T _J >T _{SD}	Off		Pull low (If the FAULB pins of multiple devices are connected together, all devices will be off)	T _J <(T _{SD} -T _{HY})
>V _{UV_IH}	LED string open or OUT short to VIN	(V _{VICC} -V _{OUT})<V _{OD_R}	Outputs I _{RTR} for recovery detection			(V _{VICC} -V _{OUT})>V _{OD_F}
	LED string short or OUT short to GND	V _{OUT} <V _{SCD_F}	Outputs I _{RTR} for recovery detection			V _{OUT} >V _{SCD_R}
	Single LED short	(V _{SDL} -V _{SDH})>V _{SSH_TH} or V _{SDL} <V _{SSL_TH}	V _{SMODE} = low	Outputs I _{RTR} for recovery detection		(V _{SDL} -V _{SDH})<V _{SSH_TH} or V _{SDL} >(V _{SSL_TH} +V _{SSL_HY})
			V _{SMODE} = high	Latched off		Power cycle or toggle EN pin
Over temperature	T _J >T _{SD}	Off			T _J <(T _{SD} -T _{HY})	

Table 4 Fault Actions Description of “One Fail Other On”

V _{FMODE} = HIGH (ONE FAIL OTHER ON)						
UV Pin	Fault Type	Fault Condition	Output State		FAULTB Pin (without input function)	Recovery
<V _{UV_IL}	LED string open or OUT short to VIN	Disabled				
	LED string short or OUT short to GND	V _{OUT} <V _{SCD_F}	Outputs I _{RTR} for recovery detection		Pull low (If the FAULB pins of multiple devices are connected together, other devices will be on)	V _{OUT} >V _{SCD_R}
	Single LED short	Disabled				
	Over temperature	T _J >T _{SD}	Off		Pull low (If the FAULB pins of multiple devices are connected together, other devices will be on)	T _J <(T _{SD} -T _{HY})
>V _{UV_IH}	LED string open or OUT short to VIN	(V _{VICC} -V _{OUT})<V _{OD_R}	Outputs I _{RTR} for recovery detection			(V _{VICC} -V _{OUT})>V _{OD_F}
	LED string short or OUT short to GND	V _{OUT} <V _{SCD_F}	Outputs I _{RTR} for recovery detection			V _{OUT} >V _{SCD_R}
	Single LED short	(V _{SDL} -V _{SDH})>V _{SSH_TH} or V _{SDL} <V _{SSL_TH}	V _{SMODE} = low	Outputs I _{RTR} for recovery detection		(V _{SDL} -V _{SDH})<V _{SSH_TH} or V _{SDL} >(V _{SSL_TH} +V _{SSL_HY})
			V _{SMODE} = high	Keeps normal output		
Over temperature	T _J >T _{SD}	Off			T _J <(T _{SD} -T _{HY})	

IS32LT3141A

THERMAL CONSIDERATIONS

The package thermal resistance, θ_{JA} , determines the amount of heat that can pass from the silicon die to the surrounding ambient environment. The θ_{JA} is a measure of the temperature rise created by power dissipation and is usually measured in degree Celsius per watt ($^{\circ}C/W$). The junction temperature, T_J , can be calculated by the rise of the silicon temperature, ΔT , the power dissipation on IS32LT3141A, P_{3141A} , and the package thermal resistance, θ_{JA} , as in Equation (8):

$$T_J = T_A + \Delta T = T_A + P_{3141A} \times \theta_{JA} \quad (8)$$

When operating the chip at high ambient temperatures, or when the supply voltage is high, care must be taken to avoid exceeding the package power dissipation limits. The maximum power dissipation at $T_A=25^{\circ}C$ can be calculated using the following Equation (9):

$$P_{D(MAX)} = \frac{150^{\circ}C - 25^{\circ}C}{\theta_{JA}} \quad (9)$$

So,

$$P_{D(MAX)} = \frac{150^{\circ}C - 25^{\circ}C}{43^{\circ}C/W} \approx 2.91W \quad (10)$$

for eTSSOP-14 package.

Figure 57, shows the power derating of the IS32LT3141A on a JEDEC board (in accordance with JESD 51-5 and JESD 51-7) standing in still air.

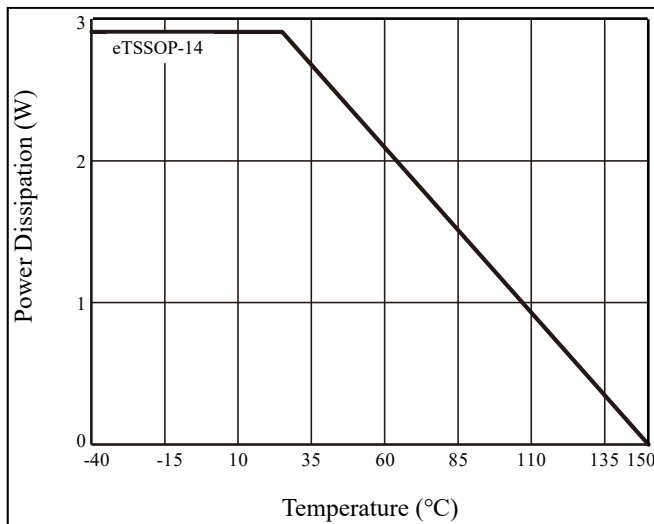


Figure 57 Dissipation Curve (eTSSOP-14)

When designing the Printed Circuit Board (PCB) layout, double-sided PCB with a large copper area on each side of the board directly under the IS32LT3141A. Multiple thermal vias, as shown in Figure 58, will help to conduct heat from the exposed pad of the IS32LT3141A to the copper on each side of the board.

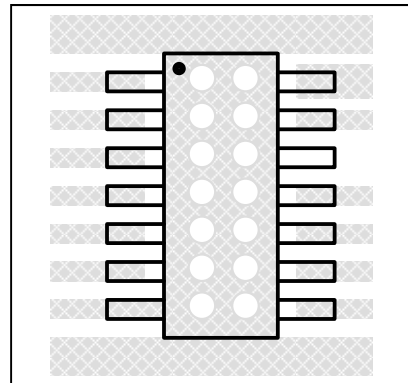


Figure 58 Board Via Layout For Thermal Dissipation

IS32LT3141A

CLASSIFICATION REFLOW PROFILES

Profile Feature	Pb-Free Assembly
Preheat & Soak Temperature min (T _{smin}) Temperature max (T _{smax}) Time (T _{smin} to T _{smax}) (t _s)	150°C 200°C 60-120 seconds
Average ramp-up rate (T _{smax} to T _p)	3°C/second max.
Liquidous temperature (T _L) Time at liquidous (t _L)	217°C 60-150 seconds
Peak package body temperature (T _p)*	Max 260°C
Time (t _p)** within 5°C of the specified classification temperature (T _c)	Max 30 seconds
Average ramp-down rate (T _p to T _{smax})	6°C/second max.
Time 25°C to peak temperature	8 minutes max.

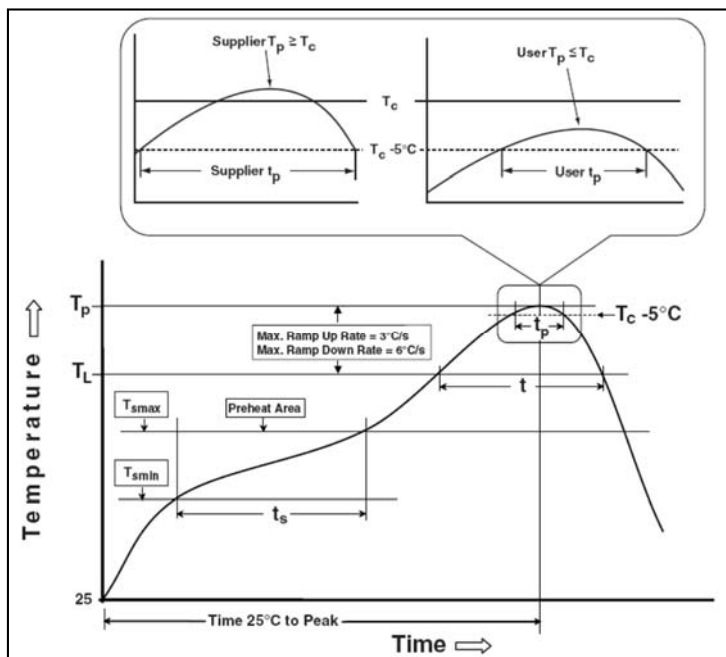
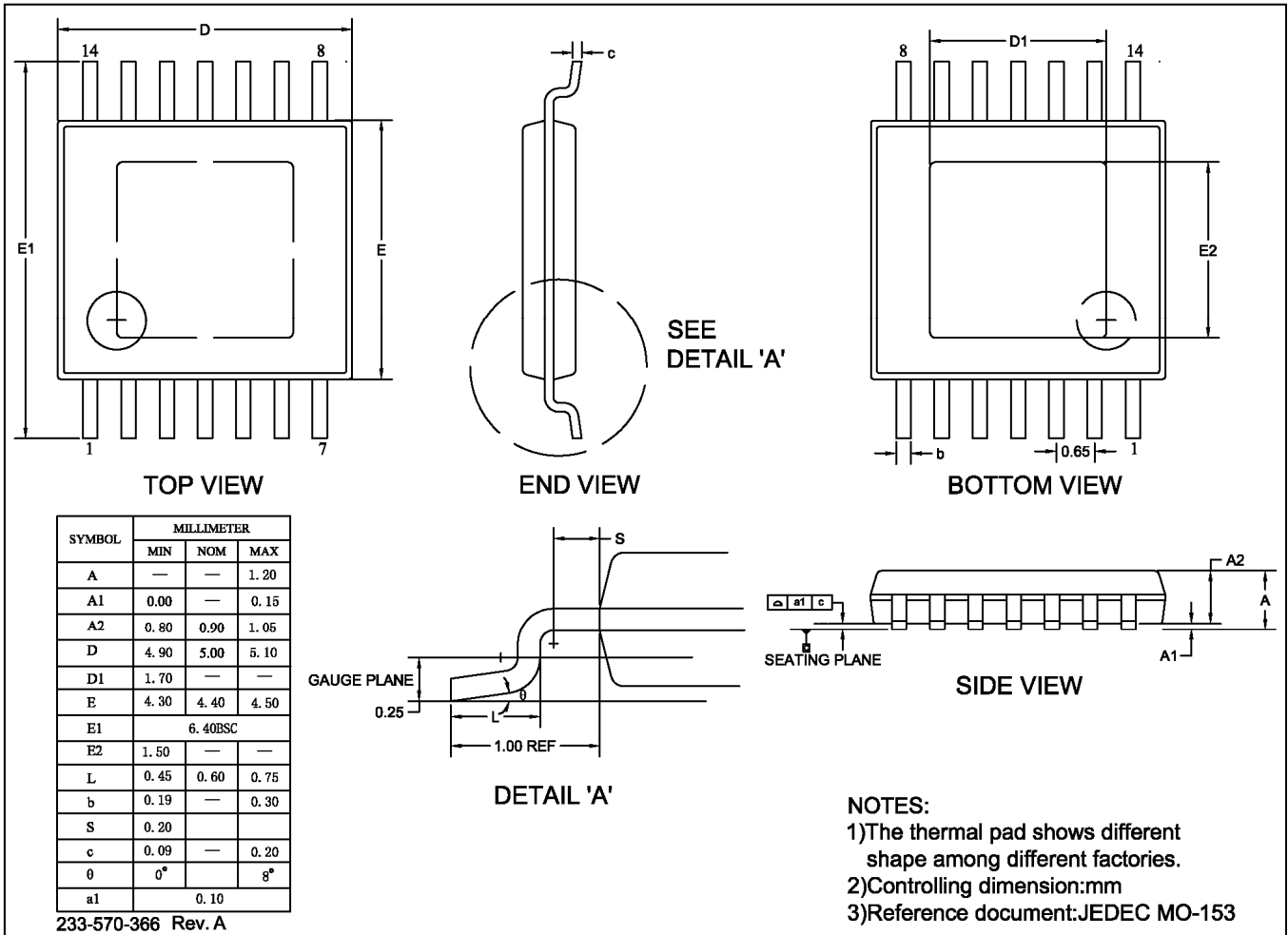


Figure 59 Classification Profile

IS32LT3141A

PACKAGE INFORMATION

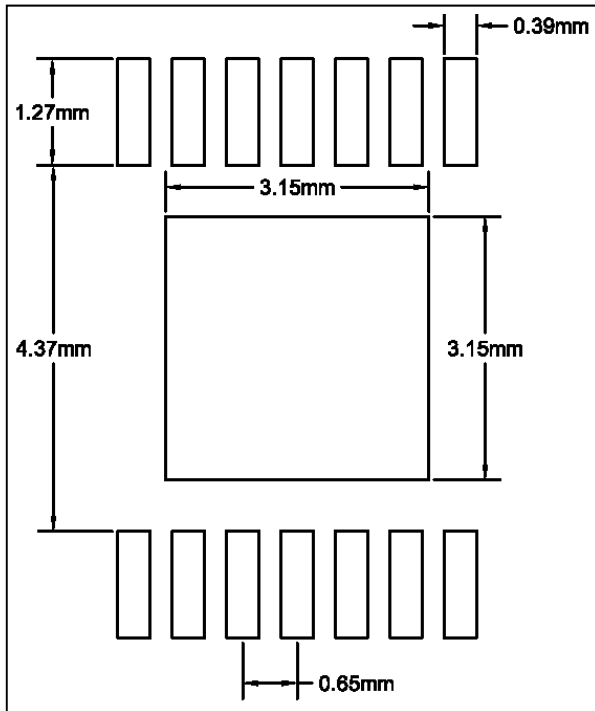
eTSSOP-14



IS32LT3141A

RECOMMENDED LAND PATTERN

eTSSOP-14




Note:

1. Land pattern complies to IPC-7351.
2. All dimensions in MM.
3. This document (including dimensions, notes & specs) is a recommendation based on typical circuit board manufacturing parameters. Since land pattern design depends on many factors unknown (eg. user's board manufacturing specs), user must determine suitability for use.

IS32LT3141A



A Division of 

REVISION HISTORY

Revision	Detail Information	Date
0A	Initial release	2021.09.06
A	Update EC and upgrade to final version	2021.12.27