

1

2

3

4

5

6

7

A

B

C

D

E

F

A

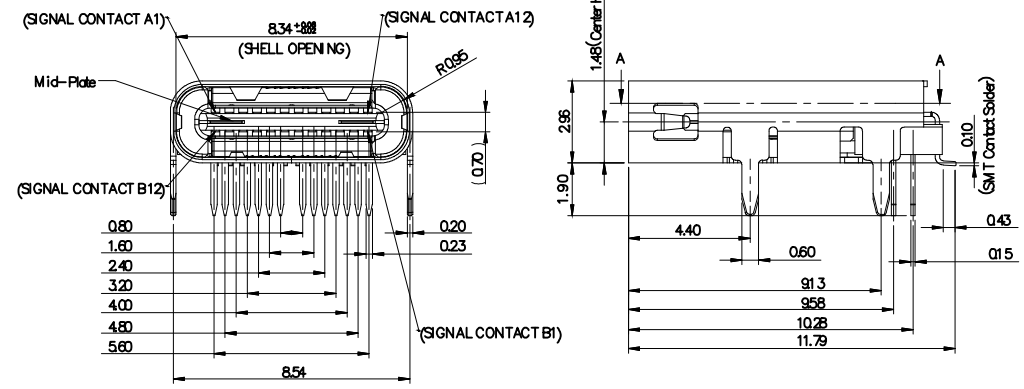
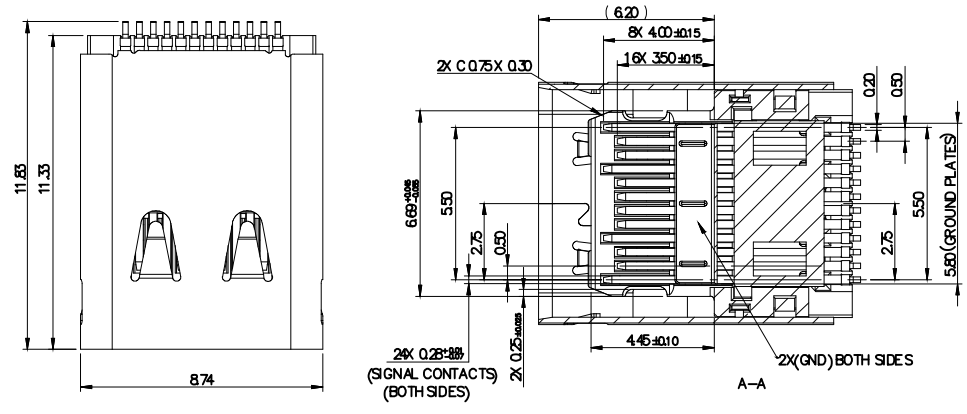
B

C

D

E

F



Notes:

- SPECIFICATION**
MATERIAL
 Insulator: Thermoplastic, Black, UL94V-0
 Contacts: BRASS
 Shell: Stainless Steel
CONTACT PLATING
 Underplate: 80u"~160u" Nickel
 Contact area: 30u" Pd-Ni+2u" Selective gold,
 Solder tails area: 100u"~200u" Tin (Lead Free)
ELECTRICAL
 Operation voltage: 20 V
 Current rating: 5 Amps max.
 Insulation resistance: 100 Mohms min @ 100 VDC
 Dielectric withstanding voltage: 100 VAC / minute
 ③ Contact resistance: 40mΩ
 Temperature range: -40°C TO +105°C
 ③ Soldering temperature: +260°C max, 10S
 ③ Mating force: 5N~20N
 ③ Unmating force: 8N~20N
 Mating cycles: 10,000 insertions
 ① AUSB1-DFN-PTR10: Tape&Reel, 700Pcs/Reel

RoHS compliant
Unit: mm

Scale	Free					Date	Name	Customer-No.
TOLERANCE					Drawn	19.05.2017	Winnie	
X.	±0.50	③	Update	29.10.2019	Carson	Approved	29.10.2019	ASSMANN WSW-No. AUSB1-DFN-PTR10
X.X	±0.30	②	Delete AUSB1-DFN-PTP2	26.07.2019	Xavier			
X.XX	±0.20	①	Correct package quantity	17.05.2019	Xavier			Drawing-No.
DIM	TOL	①						ASS 7596 CO
X.°	±2°	①	Drawn	19.05.2017	Winnie	Replace		Sheet 1/3
Angle	TOL	Id.	Modification	Date	Name			

1

2

3

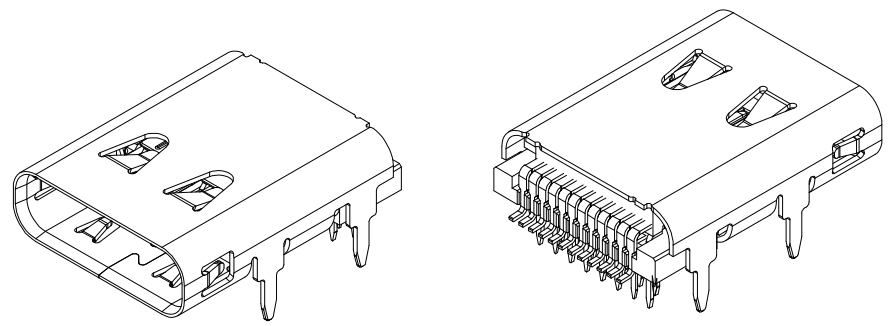
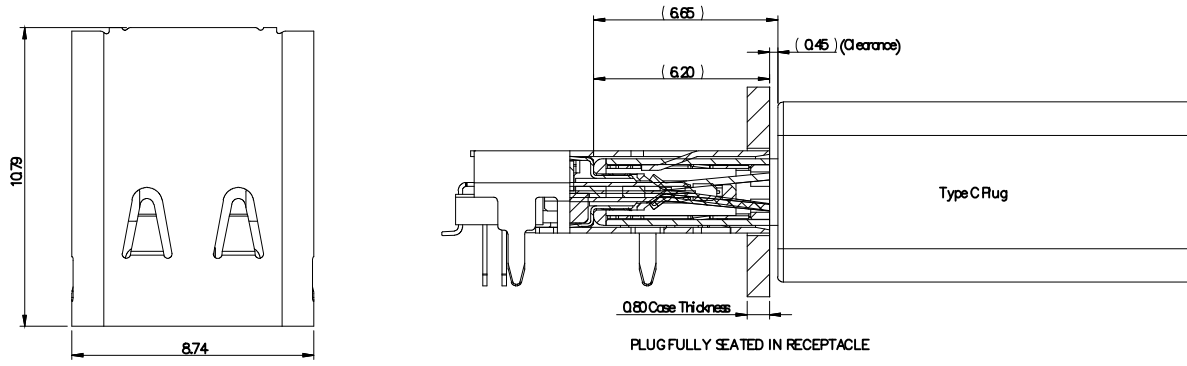
4

5

6

7

H



RoHS compliant
Unit: mm

Scale	Free						Date	Name	Customer-No.
TOLERANCE						Drawn	19.05.2017	Winnie	ASSMANN WSW-No. AUSB1-DFN-PTR10
X.	±0.50								
X.X	±0.30	③	Update	29.10.2019	Carson	Approved	29.10.2019	Carson	Drawing-No. ASS 7596 CO rev03
X.XX	±0.20	②	Delete AUSB1-DFN-PTP2	26.07.2019	Xavier				
DIM	TOL	①	Correct package quantity	17.05.2019	Xavier				Sheet 2/3
X.°	±2°	①	Drawn	19.05.2017	Winnie				
Angle	TOL	Id.	Modification	Date	Name	Replace			

1

2

3

4

5

6

7

A

A

B

B

C

C

D

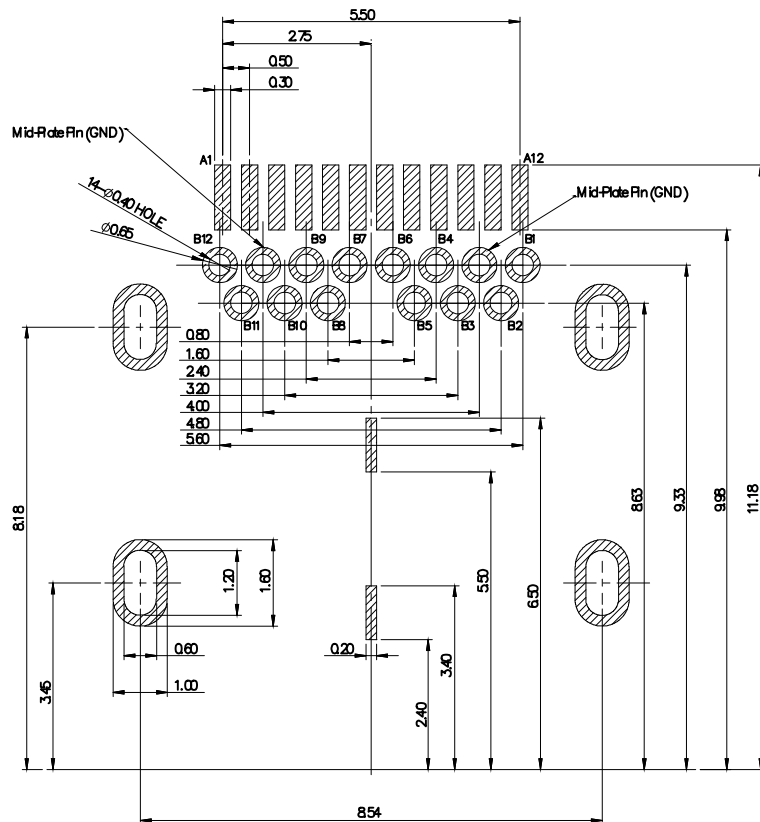
D

E

E

F

F



USB TYPE -C Pin Assignments

PinNumber	Signal Name	Pin Number	Signal Name
A1	GND	B1 2	GND
A2	SSTXp1	B1 1	SSRXp1
A3	SSTXn1	B1 0	SSRXn1
A4	VBUS	B9	VBUS
A5	CC1	B8	SBU2
A6	Dp1	B7	Dn2
A7	Dn1	B6	Dp2
A8	SBU1	B5	CC2
A9	VBUS	B4	VBUS
A1 0	SSRXn2	B3	SSTXn2
A1 1	SSRXp2	B2	SSTXp2
A1 2	GND	B1	GND

Recommended PCB Layout
Tolerance ± 0.05
PCB Thickness=1.60 For Dim-A 1.90 solder Tail

RoHS compliant
Unit: mm

Scale	Free					Date	Name	Customer-No.
TOLERANCE						Drawn	19.05.2017	Winnie
X.	± 0.50					Approved	29.10.2019	Carson
X.X	± 0.30	③	Update	29.10.2019	Carson			ASSMANN WSW-No. AUSB1-DFN-PTR10
X.XX	± 0.20	②	Delete AUSB1-DFN-PTP2	26.07.2019	Xavier			Drawing-No.
DIM	TOL	①	Correct package quantity	17.05.2019	Xavier			ASS 7596 CO
X.°	$\pm 2^\circ$	①	Drawn	19.05.2017	Winnie			rev03
Angle	TOL	Id.	Modification	Date	Name	Replace	Sheet	3/3

1

2

3

4

5

6

7

H

H