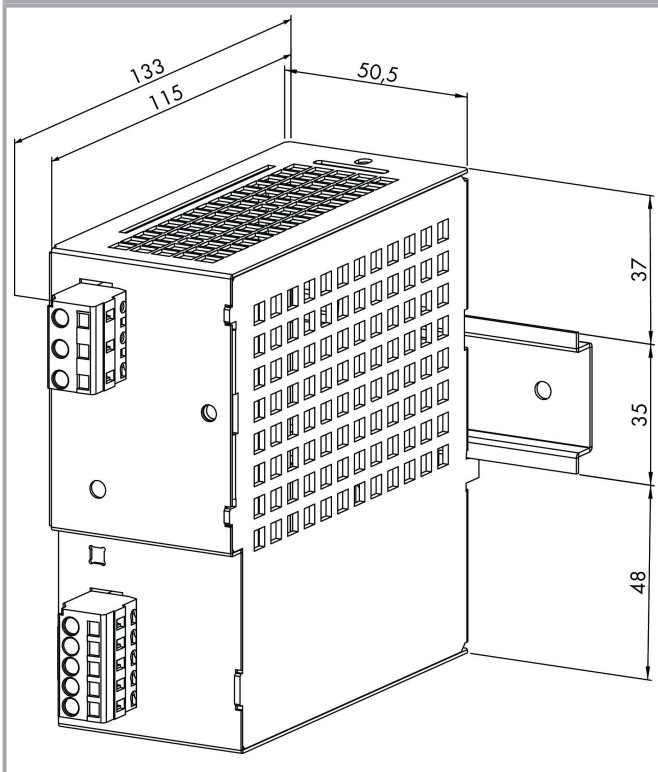
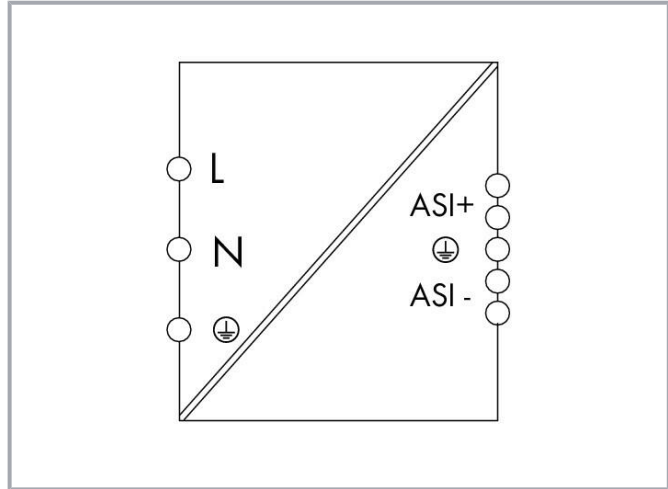


Data sheet | Item number: 787-692 **DISCONTINUED**

Switched-mode power supply; Classic; 1-phase; Output voltage: 30.5 VDC; 3 A output current; 2,50 mm²



www.wago.com/787-692



X This item has been discontinued and is no longer available as of 01.09.2022.

Subject to changes. Please also observe the further product documentation!

WAGO GmbH & Co. KG
Hansastr. 27
32423 Minden
Phone: +49571 887-0 | Fax: +49571 887-169
Email: info.de@wago.com | Web: www.wago.com

Do you have any questions about our products?
We are always happy to take your call at +49 (571) 887-44222.



Item description

- Switched-mode power supply
- Supplies AS-Interface fieldbus systems
- Minimum conductor size per AS-Interface specification: 1.5 mm²
- Natural convection cooling when horizontally mounted
- Encapsulated for use in control cabinets
- Electrically isolated output voltage (SELV) per EN 60950-1/UL 60950

Data

Technical data

Input

Phases	1
Nominal input voltage $U_{i\text{ nom}}$	1 x AC 100 ... 240 V; DC 140 ... 300 V
Input voltage range	1 x AC 85 ... 264 V; DC 120 ... 300 V
Nominal mains frequency range	50 ... 60 Hz; 0 Hz
Input current I_i	≤ 0.8 A (230 VAC); ≤ 1.4 A (115 VAC)
Inrush current	≤ 50 A
Power factor correction (PFC)	Passive
Mains failure hold-up time	≥ 50 ms (230 VAC)

Output

Nominal output voltage $U_{o\text{ nom}}$	DC 30.5 V (SELV)
Output voltage range	DC 26 ... 33 V (adjustable)
Nominal output current $I_{o\text{ nom}}$	3 A (30.5 VDC)
Residual ripple	≤ 300 mV (peak-to-peak, < 10 kHz); ≤ 50 mV (peak-to-peak; 10 kHz ... 20 MHz)
Current limitation	$1.1 \times I_{o\text{ nom}}$ (typ.)
Overload behavior	Constant current

Signaling and Communication

Operation status indicator	Green LED (30.5 V OK)
----------------------------	-----------------------

Subject to changes. Please also observe the further product documentation!



Efficiency/power losses

Power loss P_l	$\leq 9 \text{ W}$
Power loss (max.) $P_{l(\text{max})}$	14.2 W (264 VAC / 30.5 VDC; 3 A)
Efficiency (typ.)	89 %

Circuit protection

Internal fuse	T 4 A / 250 VAC
Backup fusing (required)	An external DC fuse is required for the DC input voltage.
Backup fusing (recommended)	Circuit breaker: C10 or B16

Safety and protection

Isolation voltage (sec.-PE)	DC 0.7 kV
Protection class	I
Protection type	IP20; per EN 60529
Pollution degree	2
Transient suppression (primary)	Varistor
Overvoltage protection; secondary	Internal protective circuit $\leq 48 \text{ VDC}$ (in the event of a fault)
Short-circuit-protected	Yes
Open-circuit-proof	Yes
Parallel operation	No
Series operation	No

Connection data

Connection type 1	Input/Output
Connection technology	CAGE CLAMP®
WAGO connector	WAGO 231 Series
Solid conductor	0.08 ... 2.5 mm ² / 28 ... 12 AWG
Fine-stranded conductor	0.08 ... 2.5 mm ² / 28 ... 12 AWG
Strip length	8 ... 9 mm / 0.31 ... 0.35 inches
Note (conductor cross-section)	12 AWG: THHN, THWN

Physical data

Width	51 mm / 2.008 inches
-------	----------------------

Subject to changes. Please also observe the further product documentation!

WAGO GmbH & Co. KG
 Hansastr. 27
 32423 Minden
 Phone: +49571 887-0 | Fax: +49571 887-169
 Email: info.de@wago.com | Web: www.wago.com

Do you have any questions about our products?
 We are always happy to take your call at +49 (571) 887-44222.



Height from upper-edge of DIN-rail	133 mm / 5.236 inches
Depth from upper-edge of DIN-rail	120 mm / 4.724 inches

Mechanical Data

Mounting type	DIN-35 rail
---------------	-------------

Material Data

Weight	650 g
--------	-------

Environmental requirements

Ambient temperature (operation)	-10 ... +70 °C
Ambient temperature (storage)	-25 ... +85 °C
Relative humidity	30 ... 85 % (no condensation permissible)
Derating	-3 %/K (> 50 °C)

Standards and specifications

Conformity marking	CE
Standards/specifications	EN 60950-1 EN 61204-3 EN 61204-7 UL 60950 UL 508 DNV

Commercial data

eCl@ss 10.0	27-04-07-01
eCl@ss 9.0	27-04-07-01
ETIM 8.0	EC002540
ETIM 7.0	EC002540
PU (SPU)	1 pcs
Packaging type	box
Country of origin	DE
GTIN	4045454448097
Customs tariff number	85044083900
End of Sale	2022-09-01
End of Production	2022-09-07
End of Delivery	2023-02-28

Subject to changes. Please also observe the further product documentation!

WAGO GmbH & Co. KG
Hansastr. 27
32423 Minden
Phone: +49571 887-0 | Fax: +49571 887-169
Email: info.de@wago.com | Web: www.wago.com


Do you have any questions about our products?
We are always happy to take your call at +49 (571) 887-44222.

End of Service and Repair


2025-02-28

Approvals / Certificates


General approvals

Logo	Approval	Additional Approval Text	Certificate name
	EAC Brjansker Zertifizierungsstelle	TP TC 004/2011, TP TC 020/2011	EAC RU C-DE.AM02. B. 00089_19

Declarations of conformity and manufacturer's declarations

Logo	Approval	Additional Approval Text	Certificate name
	EU-Declaration of Conformity WAGO GmbH & Co. KG	-	-

Approvals for marine applications

Logo	Approval	Additional Approval Text	Certificate name
	DNV GL Det Norske Veritas, Germanischer Lloyd	-	TAA00002J6

Downloads

Documentation

Bid Text

787-692 X81 - Datei	2019 Jul 4	xml 7.1 kB	Download
787-692 docx - Datei	2019 Jul 4	docx 21.5 kB	Download

Instruction Leaflet

Primär getaktete Stromversorgungen CLASSIC für AS-Interface DC 30,5 V, 3 A	pdf 220.9 kB	Download
---	-----------------	----------

Subject to changes. Please also observe the further product documentation!

WAGO GmbH & Co. KG
Hansastr. 27
32423 Minden
Phone: +49571 887-0 | Fax: +49571 887-169
Email: info.de@wago.com | Web: www.wago.com

Do you have any questions about our products?
We are always happy to take your call at +49 (571) 887-44222.



Additional Information

Disposal and Recycling Electrical and electronic equipment, Batteries, Packaging	V 1.1.0 2022 Aug 18	pdf 2.2 MB	Download
---	------------------------	---------------	----------

CAD/CAE-Data

CAD data

2D/3D Models 787-692	URL	Download
----------------------	-----	----------

CAE data

EPLAN Data Portal 787-692	URL	Download
---------------------------	-----	----------

ZUKEN Portal 787-692	URL	Download
----------------------	-----	----------

WSCAD Universe 787-692	URL	Download
------------------------	-----	----------

Environmental Product Compliance

Compliance Search

Environmental Product Compliance 787-692 Switched-mode power supply; Classic; 1-phase; Output voltage: 30.5 VDC; 3 A output current; 2,50 mm ²	URL	Download
--	-----	----------

Installation Notes

Product family

Classic

EPSITRON® CLASSIC POWER: The Robust Power Supply – with Integrated TopBoost (Optional)

[Show all products from the family](#)

Subject to changes. Please also observe the further product documentation!