



Type 700 Precision Air Pressure Regulator

For applications that require accurate pressure control

The Type 700 is designed to provide high flow capacity and accurate process control. A poppet valve balanced by a rolling diaphragm insures a constant output pressure even during wide supply pressure variations. Stability of regulated pressure is maintained under varying flow conditions through the use of an aspirator tube which adjusts the air supply in accordance with the flow velocity.

Features

- **1/4", 3/8", 1/2" NPT/BSP Porting**
- **High Flow Capacity**
Allows flows up to 80 scfm (2,264 NI/min)
- **Sensitive**
Senses output pressure deviations to within 1/8 inch water column pressure
- **Stable Output**
Dampening action of aspirator tube makes this regulator insensitive to changes in flow
- **On-line Maintenance**
Can be serviced without removal from air line

Specifications

Flow Capacity	See performance curves
Exhaust Capacity	4 scfm (120 NI/min) [downstream pressure 5 psi (.35 BAR) above set pressure]
Sensitivity	1/8" (3.2 mm) water
Effect of Supply Pressure Variation on Output	Less than 0.1 psi (.007 BAR) for 100 psi (6.7 BAR) change
Air Consumption, Maximum	Steady State: From 1.0 to 12.5 scfh (30 to 375 NI/hr), depending on output pressure range
Supply Pressure	250 psig (17.5 BAR) Maximum
Operating Temperature	-40°F to 160°F (-40°C to 71°C)
Weight	1 lb, 10 oz (.74 kg)
Mounting	Pipe, panel, or bracket
Port Sizes	Inlet/Outlet: 1/4", 3/8" or 1/2" NPT/BSP Gauge (2): 1/4" NPT/BSP
Output Pressure Ranges	0-2 psi (0-0.15 BAR), 0-15 psi (0-1.0 BAR) 0-30 psi (0-2.0 BAR), 0-60 psi (0-4.0 BAR) 0-100 psi (0-7.0 BAR), 0-150 psi (0-10 BAR)

Materials of Construction

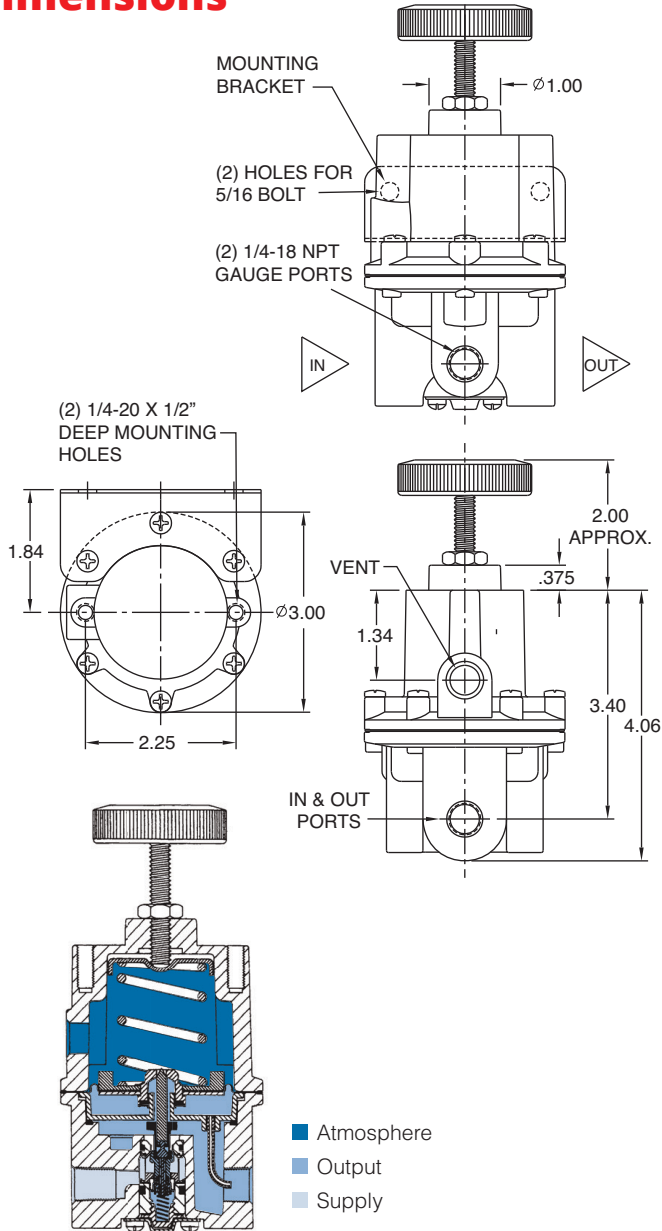
Body	Diecast aluminum alloy
Internal Components	Stainless steel, brass, plated steel, acetal
Diaphragm	Buna-N elastomer, polyester fabric
Knob	Phenolic plastic



Actual size

Type 700 Precision Air Pressure Regulator

Dimensions



Warranty ControlAir LLC products are warranted to be free from defects in materials and workmanship for a period of eighteen months from the date of sale, provided said products are used according to ControlAir LLC recommended usages. ControlAir LLC's liability is limited to the repair, purchase price refund, or replacement in kind, at ControlAir LLC's sole option, of any products proved defective. ControlAir LLC reserves the right to discontinue manufacture of any products or change products materials, designs or specifications without notice. Note: ControlAir does not assume responsibility for the selection, use, or maintenance of any product. Responsibility for the proper selection, use, and maintenance of any ControlAir product remains solely with the purchaser and end user. Drawing downloads available at www.controlair.com

Ordering Use this coding system to order

Model

700

Port Size (NPT/BSP)

- B 1/4"
- C 3/8"
- D 1/2"

Range

- A 0-2 psi (0-0.15 BAR)
- C 0-15 psi (0-1.0 BAR)
- D 0-30 psi (0-2.0 BAR)
- E 0-60 psi (0-4.0 BAR)
- G 0-100 psi (0-7.0 BAR)
- F 0-150 psi (0-10 BAR)

Options

- C Check Valve: integral safety device which quickly dumps output pressure when there is a loss of supply air
- E Tapped Exhaust: allows captured exhaust. 1/4" NPT port
- H High Bleed: provides more dynamic performance at lower pressure and flow rates
- K Stainless Steel Knob Stem, knob itself is phenolic plastic
- L Low Bleed: reduces steady state air consumption by 50%
- N Non-Relieving: for constant flow or downstream pressure relief applications
- S Stainless Steel Adjust Screw: hex head stainless steel adjust screw for maximum corrosion resistance
- T Tamper-proof Cover: prevents casual adjustment of output pressure
- U BSP Porting
- X ATEX 2014/34/EU

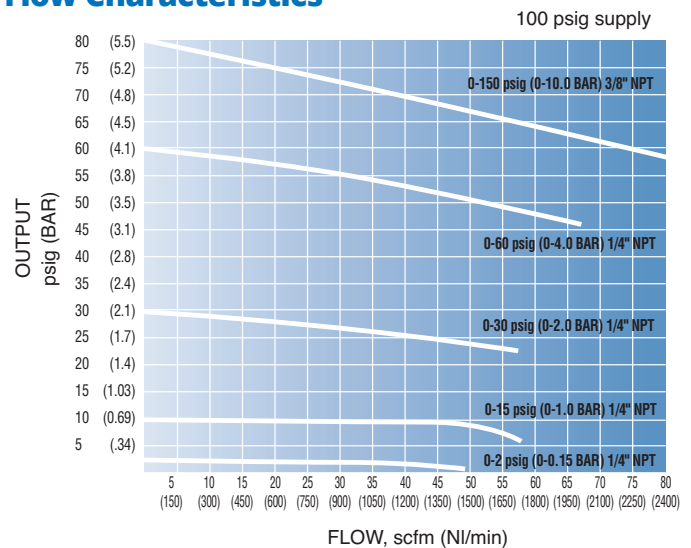
Accessories

Mounting Bracket (zinc plated steel): P/N 446-707-025

Gauges: 1/4" NPT back mount, 2" face, dual scale

Range PSI (BAR)	Part Number
0-15 (0-1.0)	446-725-003
0-30 (0-2.0)	446-725-004
0-60 (0-4.0)	446-725-001
0-160 (0-11)	446-725-002

Flow Characteristics



8 Columbia Drive / Amherst, NH 03031 USA / www.controlair.com / sales@controlair.com / 603-886-9400 / FAX 603-889-1844

An ISO 9001:2015 Registered Company

P/N 441-625-008 5/1/23