


# Counter nut - A-INL-PG16-P-LG - 1424552

Please be informed that the data shown in this PDF Document is generated from our Online Catalog. Please find the complete data in the user's documentation. Our General Terms of Use for Downloads are valid (<http://phoenixcontact.com/download>)

Counter nut, material: PA 6 GF 30, connecting thread: Pg16, color: lightgrey RAL 7035



## Key Commercial Data

Packing unit	5 pc
GTIN	 4 0 5 5 6 2 6 3 7 4 5 6 7
GTIN	4055626374567

## Technical data

### Dimensions

Length	6 mm
Connecting thread diameter	22.5 mm
Wrench size, counter nut	30 mm
Hexagon angular dimension	33 mm

### Ambient conditions

Ambient temperature (operation)	-20 °C ... 100 °C
---------------------------------	-------------------

### General

Material	PA 6 GF 30
Flammability rating according to UL 94	V2
Thread type connection side	Pg16
Thread type on connection side	Pg16
Color	lightgrey RAL 7035

### Standards and Regulations

Halogen-free	yes
Flammability rating according to UL 94	V2

### Environmental Product Compliance

# Counter nut - A-INL-PG16-P-LG - 1424552

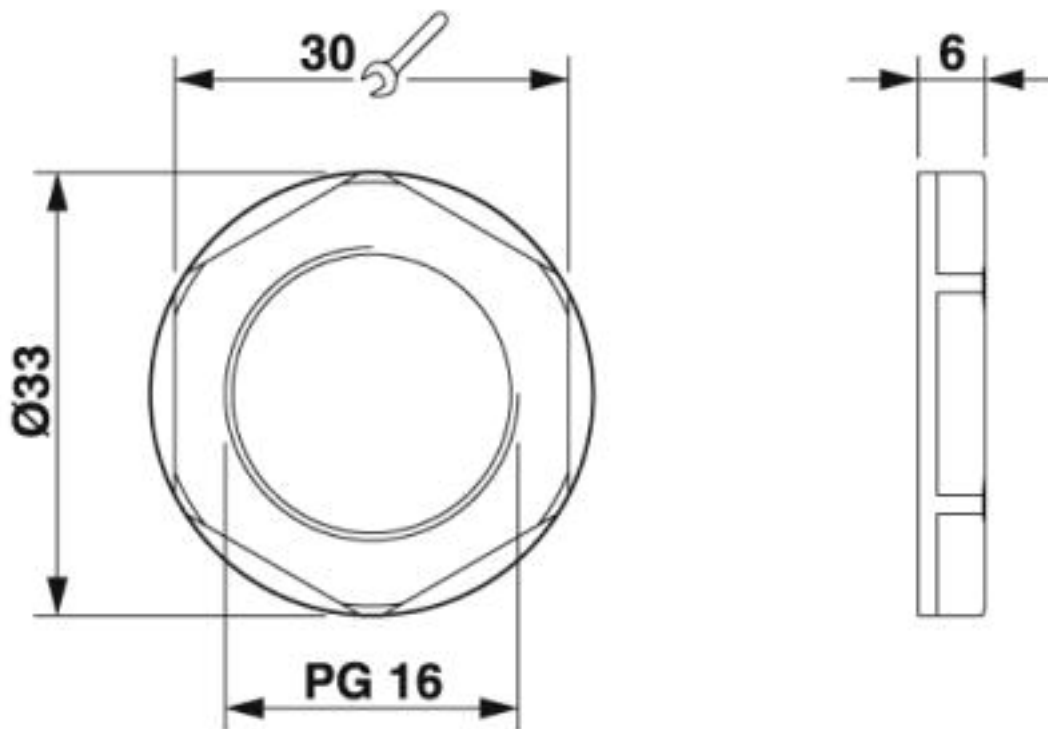
## Technical data

### Environmental Product Compliance

China RoHS	Environmentally friendly use period: unlimited = EFUP-e
	No hazardous substances above threshold values

## Drawings

Dimensional drawing



Phoenix Contact 2019 © - all rights reserved  
<http://www.phoenixcontact.com>

PHOENIX CONTACT GmbH & Co. KG  
Flachsmarktstr. 8  
32825 Blomberg  
Germany  
Tel. +49 5235 300  
Fax +49 5235 3 41200  
<http://www.phoenixcontact.com>