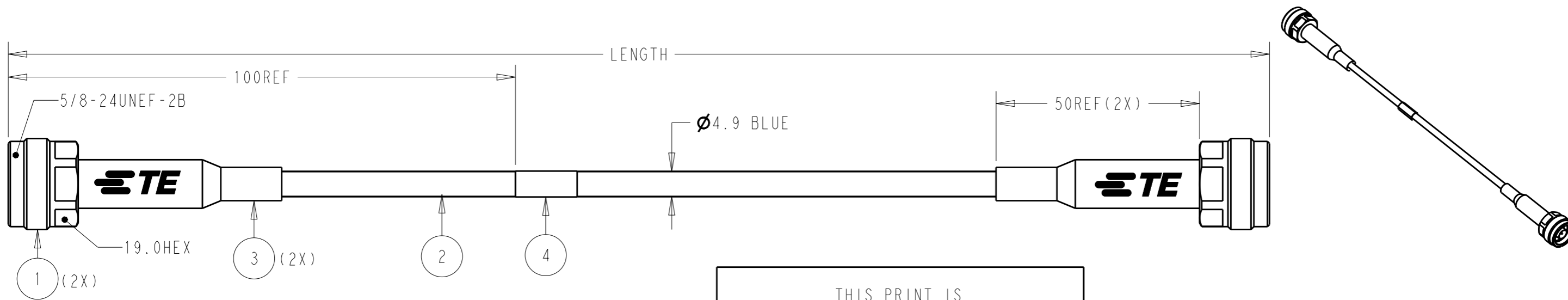


P	LTR	DESCRIPTION	DATE	DWN	APVD
1		INITIAL CREATED	23SEP2019	CL	RS



THIS PRINT IS  
**PRELIMINARY**  
 UNQUALIFIED PRODUCT  
 CONTACT PRODUCT ENGINEERING  
 BEFORE USING THIS PRINT

NOTES:

- MATERIAL AND PROCESSING MUST MEET REQUIREMENTS OF TEC-138-702
- CONNECTOR N-TYPE INTERFACE FOLLOW IEC61169-16
- PRODUCT RATING:  
 TEMPERATURE: -40°C TO +85°C  
 CHARACTERISTIC IMPEDANCE: 50 OHMS Normal  
 FREQUENCY RANGE: DC TO 18GHz  
 DURABILITY: NO LESS THAN 500TIMES  
 BEND RADIUS: 20MM MIN (STATIC)  
 50MM MIN(REPEATED)
- CABLE ASSEMBLY TO BE 100% SI TESTED  
 VSWR: 1.3:1 MAX @ DC~18GHz  
 INSERT LOSS: REFER TO TABLE  
 MECHANICAL PHASE STABILITY: <math>\lt; \pm 5^\circ</math>  
 MECHANICAL AMPLITUDE STABILITY: <math>\lt; \pm 0.1\text{dB}</math>
- CONNECTOR NEED COVER WITH CAP, PACKAGE FOLLOW TEC-107-115

1-2016657-5	1500±15	2.08dB@6GHz	3.96dB@18GHz
1-2016657-0	1000±15	1.52dB@6GHz	2.94dB@18GHz
2016657-6	600±10	1.07dB@6GHz	1.94dB@18GHz
PART NUMBER	LENGTH	INSERTION LOSS(MAX)	

PC	Q'TY	DESCRIPTION	ITEM
PC	1	LABEL	4
MR	AR	HEAT SHRINK TUBE	3
MR	AR	COAX CABLE, SOLID SPCCS 0.94MM, PTFE TAPE INSULATION, SPC TAPE OUTER CONDUCTOR 3.15MM, FEP JACKET, 50OHM, BLUE	2
PC	2	PC N-TYPE, MALE, STRAIGHT	1

THIS DRAWING IS A CONTROLLED DOCUMENT.		DWN 20AUG2019 Cedar Liu		<b>TE</b> TE Connectivity	
		CHK 28AUG2019 Roger Song			
DIMENSIONS: mm		TOLERANCES UNLESS OTHERWISE SPECIFIED:		NAME RF CA, N M TO N M, WITHOUT ARMOR 18GHz	
		0 PLC ±-		APVD -	
		1 PLC ±0.1		PRODUCT SPEC -	
MATERIAL TBD		2 PLC ±0.01		APPLICATION SPEC -	
		3 PLC ±0.001		WEIGHT -	
FINISH -		4 PLC ±0.0001		SIZE A3	
		ANGLES ±-		CAGE CODE 00779	
		finish_spec_2		DRAWING NO C-2016657	
		CUSTOMER DRAWING		RESTRICTED TO	
				SCALE 1:3	
				SHEET 1 OF 1	
				REV 1	