

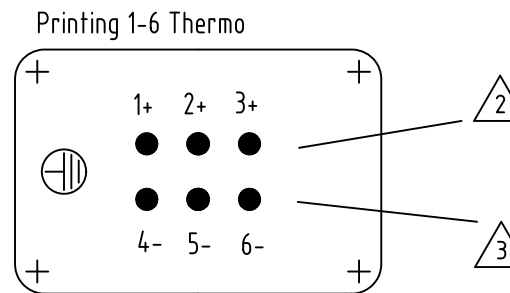
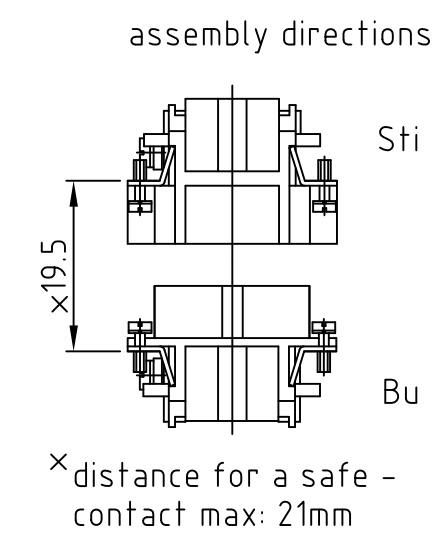
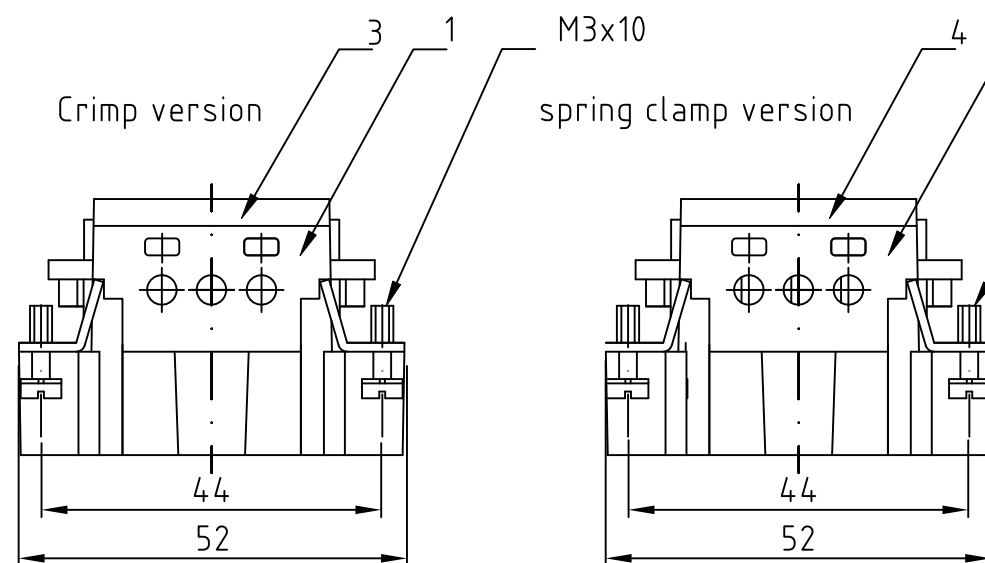
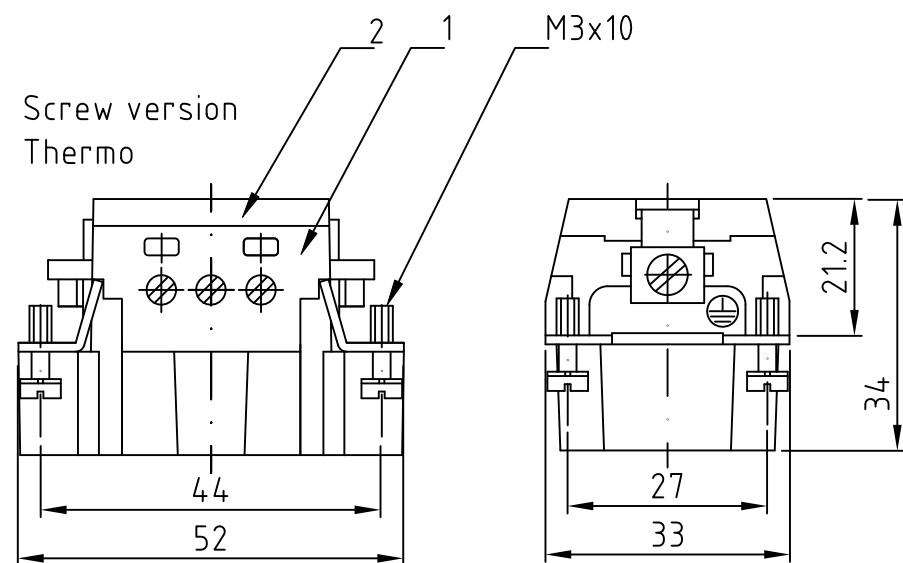
THIS DRAWING IS UNPUBLISHED.
VERTRÄULICHE UNVERÖFFENTLICHTE ZEICHNUNG

RELEASED FOR PUBLICATION
FREI FUER VERÖFFENTLICHUNG
ALL RIGHTS RESERVED.
ALLE RECHTE VORBEHALTEN

© COPYRIGHT - By -

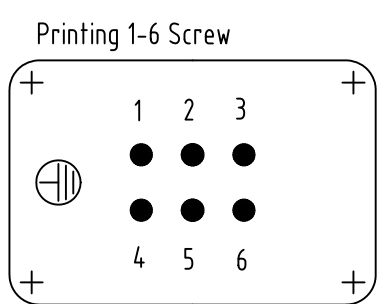
REVISIONS

P	LTR	DESCRIPTION BESCHREIBUNG	DATE	DWN	APVD
	A8	ECR-17-009069	09FEB2018	SG	MKO



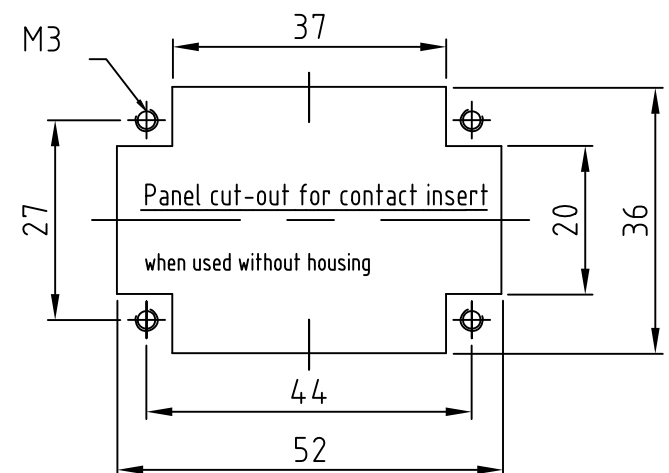
Contact arrangement

view from termination side



NOTES:

- 1 SUITABLE CRIMP CONTACTS: SERIES HE/HA
OUTER DIMENSIONS OF INSULATION: MAX. Ø3,2 MM
- ⚠ SUITABLE HOOD SIZE 5; 7; 9; 11: SERIES HA; HD
SUITABLE INSERTION AND EXTRACTION TOOL:
SCREWDRIVER 0,5x3 DIN 5264
- ⚠ Strip length: Screw connection 10mm
Spring clamp connection 10mm Crimp connection 7.5mm
- ⚠ STANDARDS:
DIN EN 61984; DIN EN 60664-1
- ⚠ PACKAGING:
5 SETS IN A CARTON, PRE-MOUNTED
- ⚠ SPECIAL PACKAGING: Krauss-Maffei
PACKAGING UNIT: 150 PIECES



OBSOLETE	OBSOLETE	SUPERSEDED BY T204-0063101-000			OBSOLETE
1	1	1	1	1	1
HE.6.Sti.S.KM	HE.6.Sti.S-AU	HE.6.Sti.S-C	HE.6.Sti.C	HE.6.Sti.S-T	HE.6.Sti.S

DESCRIPTION	MATERIAL	COLOR	ITEM NO. POS.	NOTES
cover spring clamp version		light grey	4	
cover crimp version		light grey	3	
cover screw version		light grey	2	
pin insert		light grey	1	

THIS DRAWING IS A CONTROLLED DOCUMENT.
DIESE ZEICHNUNG IST EIN KONTROLLIERTES DOKUMENT.

DIMENSIONS: MASSENEHTEIN: mm
TOLERANCES UNLESS OTHERWISE SPECIFIED: ALLGEMEINTOLERANZEN

0 PLC ± 0.10
1 PLC ± 0.15
2 PLC ± 0.20
3 PLC ± 0.25
4 PLC ± 0.30
ANGLES / WINKEL ± 0.5°

FINISH / OBERFLÄCHE / FARBE

DWN 16.02.1999
Gräf

CHK 18.02.1999
Schweiger

APVD -

NAME: Male insert
Stifteinsatz HE.6.STI

PRODUCT SPEC / PRODUKTSPEZ.
APPLICATION SPEC / VERARBEITUNGSSPEZ.

SIZE: A3
CAGE CODE: 00779
DRAWING NO. / ZEICHNUNGS-NR.: 1103634

RESTRICTED TO NUR FUER

CUSTOMER DRAWING / KUNDENZEICHNUNG
SCALE: MASSSTAB 1:1
SHEET: BLATT 1 OF 1
REV: A8