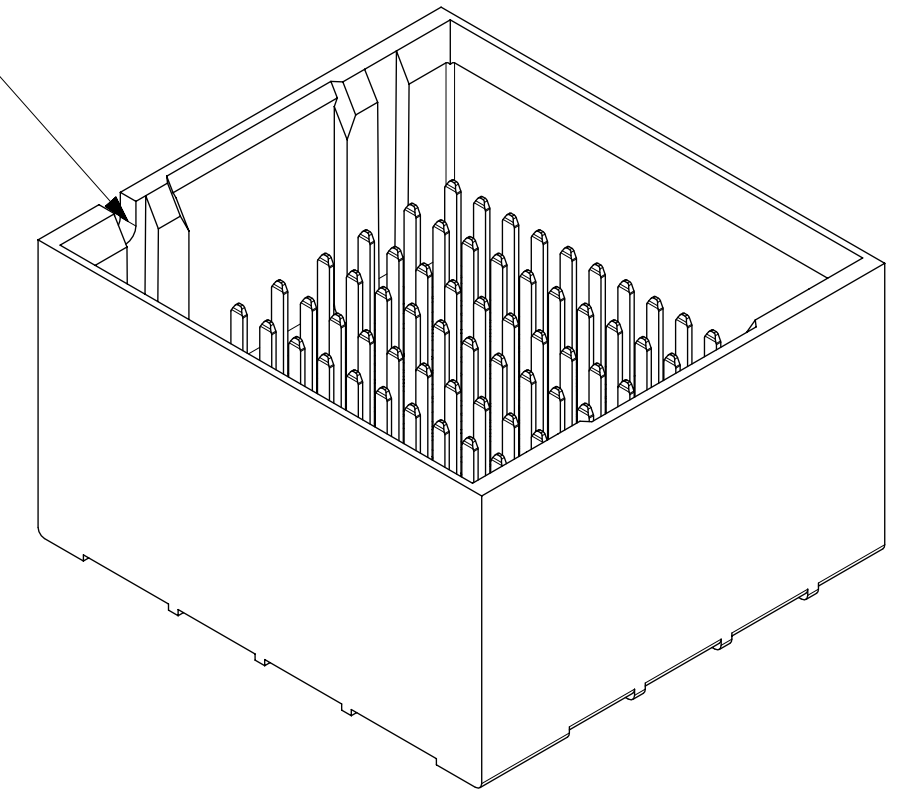


NOTCH DESIGNATES ROW A



(DUAL ENDWALL SHOWN)

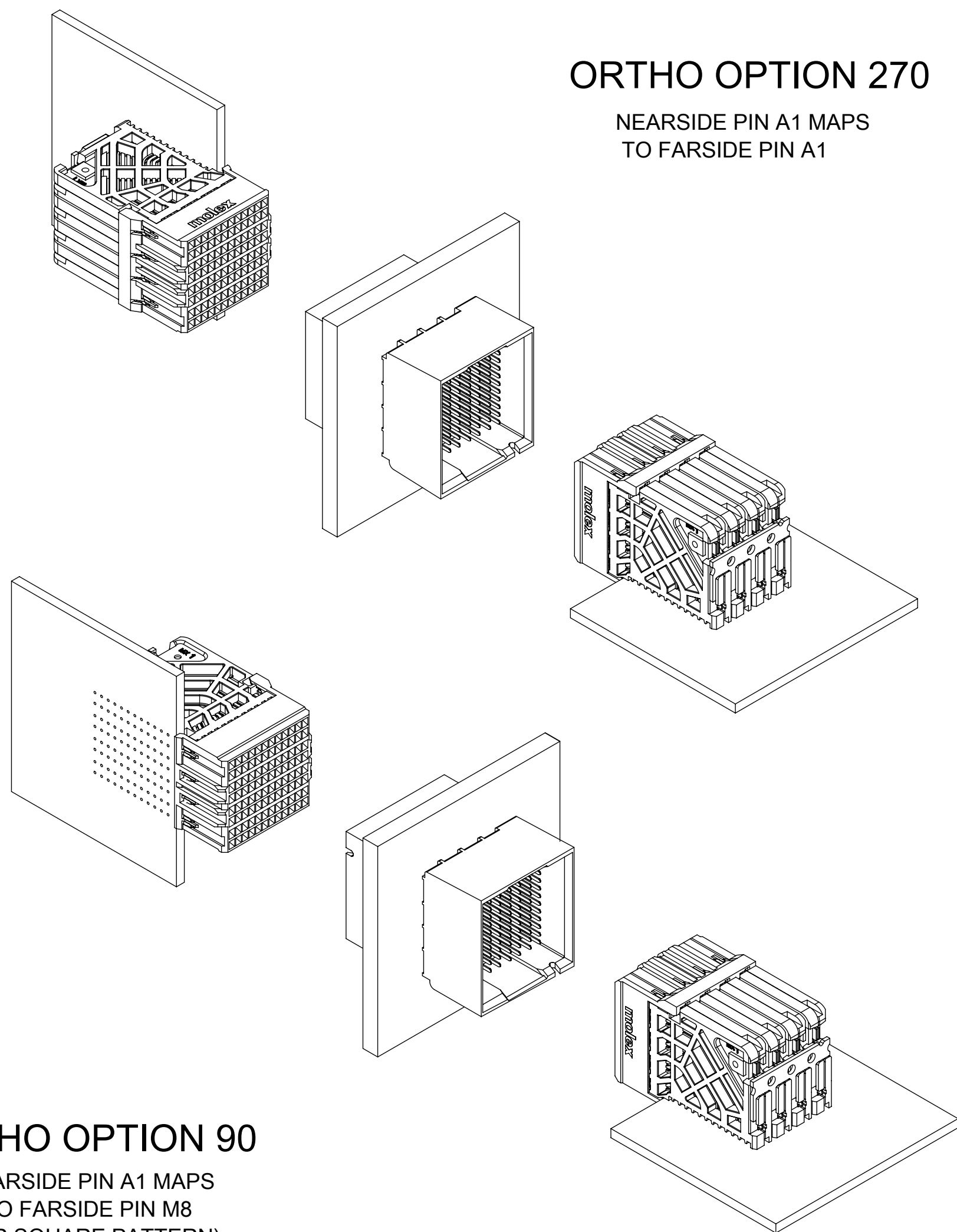
NOTES:

- MATERIALS: HOUSING - LIQUID CRYSTAL POLYMER (LCP) GLASS-FILLED, UL94V-0  
TERMINALS - HIGH PERFORMANCE COPPER ALLOY
- FINISH: 30μ MIN GOLD IN CONTACT AREA.  
SELECTIVE TIN OR TIN-LEAD ON PCB TAILS.  
NICKEL OVERALL.
- REFER TO MOLEX PRODUCT SPECIFICATION PS-76060-999 FOR PERFORMANCE SPECIFICATIONS AND ADDITIONAL PCB INFORMATION.
- THIS PART CONFORMS TO CLASS B REQUIREMENTS OF COSMETIC SPEC PS-45499-002.
- PRODUCT IS PACKAGED PER PK-70873-7706.
- SEE SHEETS 2 AND 3 FOR PART NUMBERS AND ORTHOGONAL PIN MAPPING.
- REFER TO MOLEX SALES DRAWING SD-76850-001 FOR THE MATING RECEPTACLES.
- THE KEEP-OUT ZONE FOR THE PART LENGTH INCLUDES AN ADDITIONAL 1.0mm TO ACCOMMODATE FOR SPACE REQUIRED BY THE DAUGHTERCARD ASSEMBLY.
- REFER TO MOLEX ROUTING GUIDE AS-76850-990 FOR ADDITIONAL PCB LAYOUT AND ROUTING RECOMMENDATIONS.
- CONNECTORS ARE SUPPLIED WITH A 2-56 UNC-2A SCREW.
- "THESE DIMENSIONS REPRESENT THE AREA NEEDED TO ACCOMODATE CONNECTOR INSERTION AND REPAIR ON THE PC BOARD. THIS DOES NOT REPRESENT THE ACTUAL PERIMETER OF THE CONNECTOR."

THIS DRAWING CONTAINS INFORMATION THAT IS PROPRIETARY TO MOLEX ELECTRONIC TECHNOLOGIES, LLC AND SHOULD NOT BE USED WITHOUT WRITTEN PERMISSION											
DIMENSION UNITS		SCALE		CURRENT REV DESC: CORRECTED REMASTERING DRAWING TYPO & REMOVED TIN/LEAD OPTION MODULE TYPE AT SHT2 2-F6							
mm		NTS		EC NO: 629583							
GENERAL TOLERANCES (UNLESS SPECIFIED)				4 PLACES		±		DRWN: JSGOH01		2018/06/06	
ANGULAR TOL				±		0.5°		CHK'D: STTAN		2021/02/04	
2 PLACES				±		0.13		APPR: STTAN		2021/02/04	
1 PLACE				±		0.25		INITIAL REVISION:		0005/11/09	
0 PLACES				±				APPR: JBINGHAM		2010/01/14	
DRAFT WHERE APPLICABLE MUST REMAIN WITHIN DIMENSIONS				THIRD ANGLE PROJECTION		DRAWING		SERIES		DOCUMENT NUMBER	
						C-SIZE		76845		SD-76845-001	
DOCUMENT STATUS				P1		RELEASE DATE		2021/02/04 03:13:18		DOC TYPE	
										PSD	
										DOC PART	
										001	
										REVISION	
										F2	
										SHEET NUMBER	
										1 OF 3	

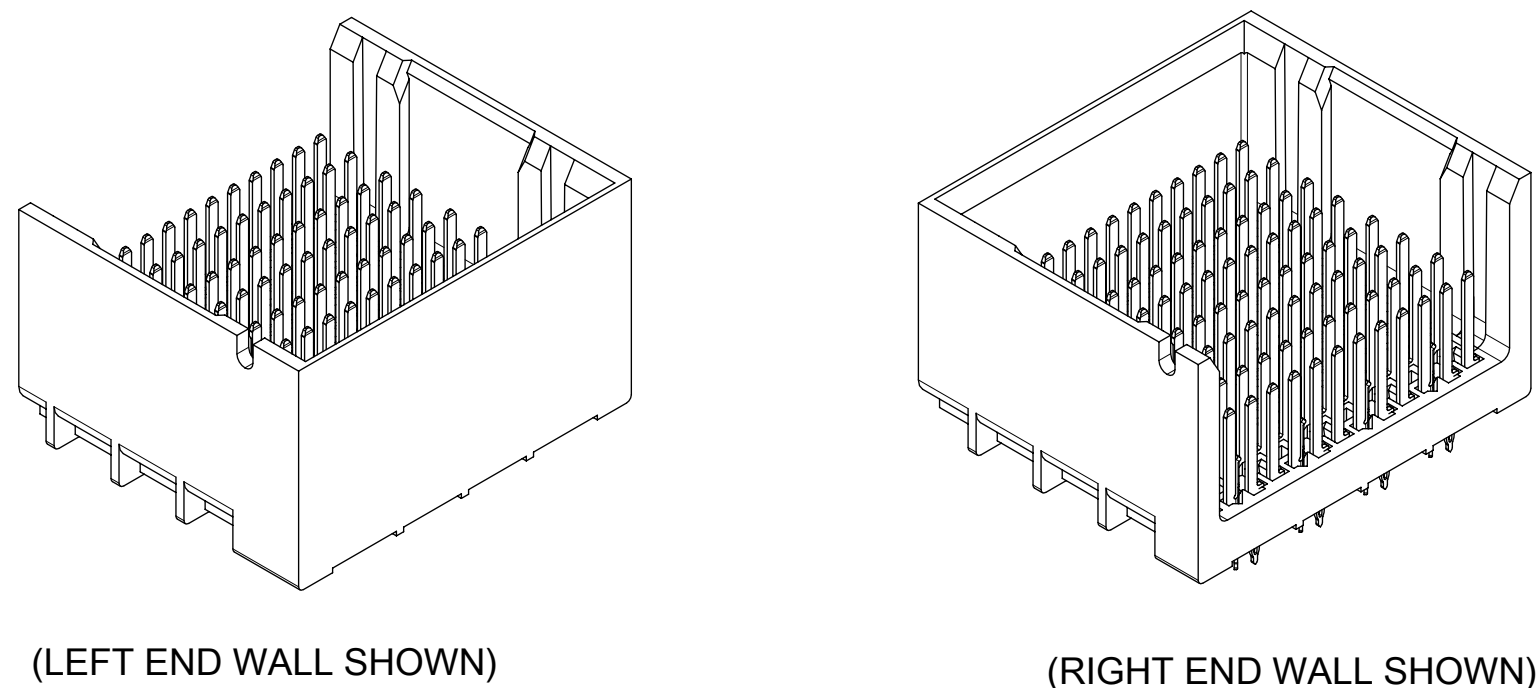
# ORTHO OPTION 270

NEAR SIDE PIN A1 MAPS  
TO FAR SIDE PIN A1



# ORTHO OPTION 90

NEAR SIDE PIN A1 MAPS  
TO FAR SIDE PIN M8  
(FOR SQUARE PATTERN)



(LEFT END WALL SHOWN)

(RIGHT END WALL SHOWN)

MATERIAL NUMBER	# OF COLUMNS	# OF DIFF PAIR	DIM "A"	DIM "B"	DIM "C"
76845-*60*	6	24	12.0	10.00	10.40
76845-*61*	6	24	13.4	10.00	10.40
76845-*62*	6	24	14.8	10.00	10.40
76845-*63*	6	24	13.4	10.00	10.40
76845-*80*	8	32	16.1	14.05	14.45
76845-*81*	8	32	17.5	14.05	14.45
76845-*82*	8	32	18.9	14.05	14.45
76845-*83*	8	32	17.5	14.05	14.45
76845-*10*	10	40	20.1	18.10	18.50
76845-*11*	10	40	21.5	18.10	18.50
76845-*12*	10	40	22.9	18.10	18.50
76845-*13*	10	40	21.5	18.10	18.50

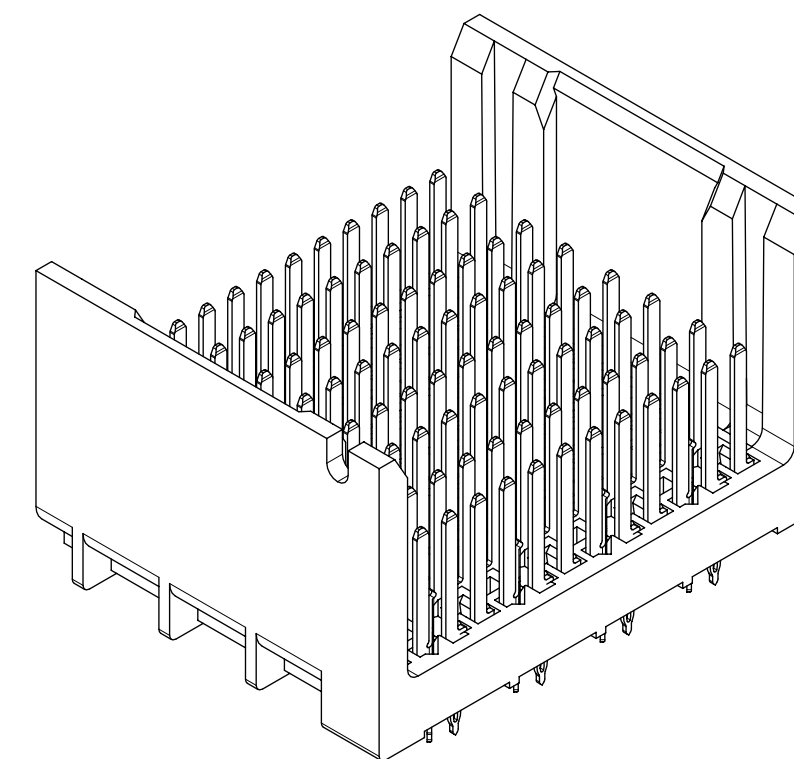
## 76845-\*\*\*\*

MODULE & TAIL PLATING TYPE  
1 = UNGUIDED, TIN

# OF COLUMNS  
6 = 6 COLUMN  
8 = 8 COLUMN  
1 = 10 COLUMN

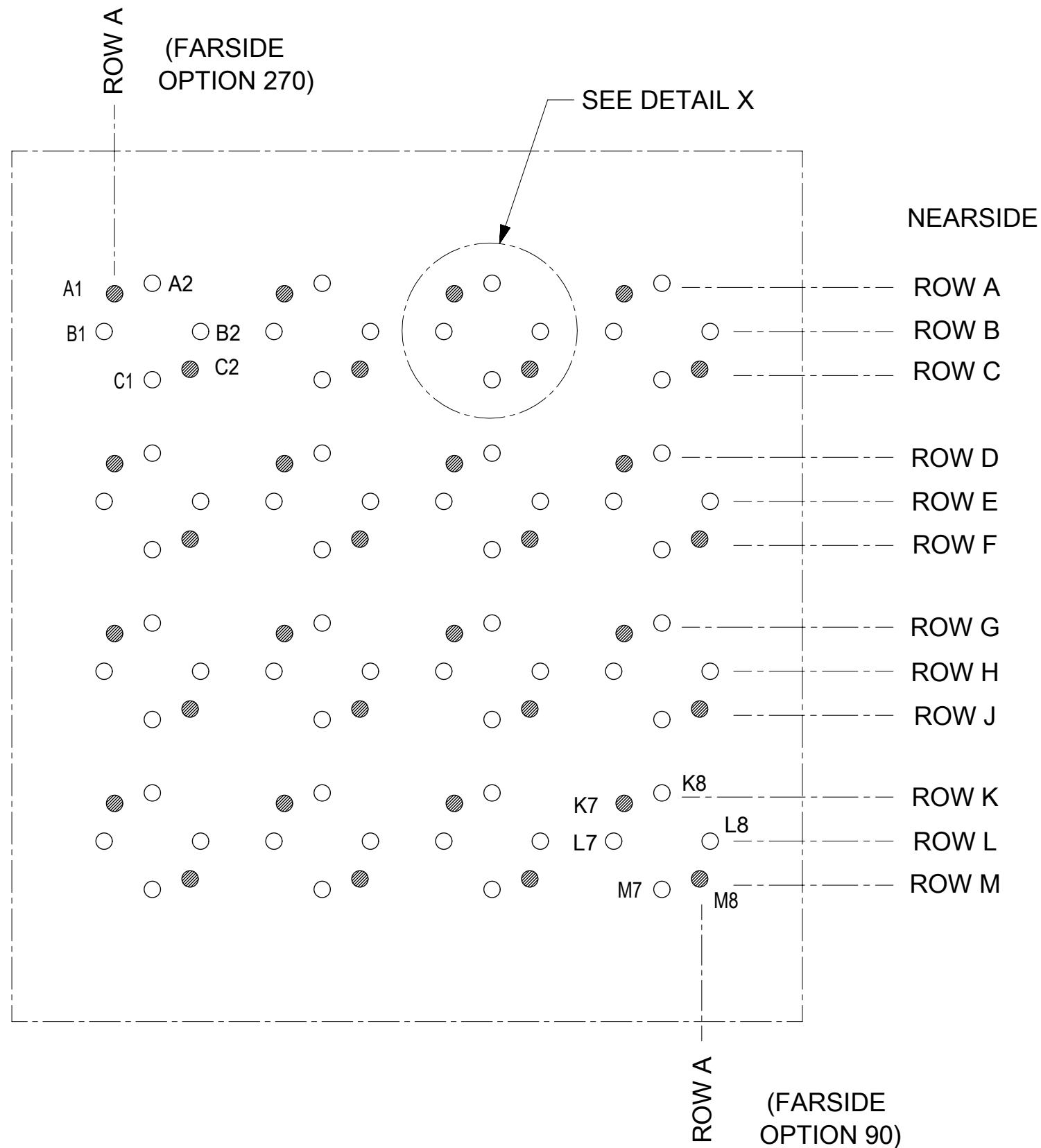
PIN LENGTH (P)  
4 = 4.90, (0.46 PTH)  
5 = 5.50, (0.46 PTH)  
7 = 4.90, (0.39 PTH)  
8 = 5.50, (0.39 PTH)

ENDWALL OPTIONS  
0 = OPEN ENDS  
1 = LEFT ENDWALL  
2 = DUAL ENDWALL  
3 = RIGHT ENDWALL

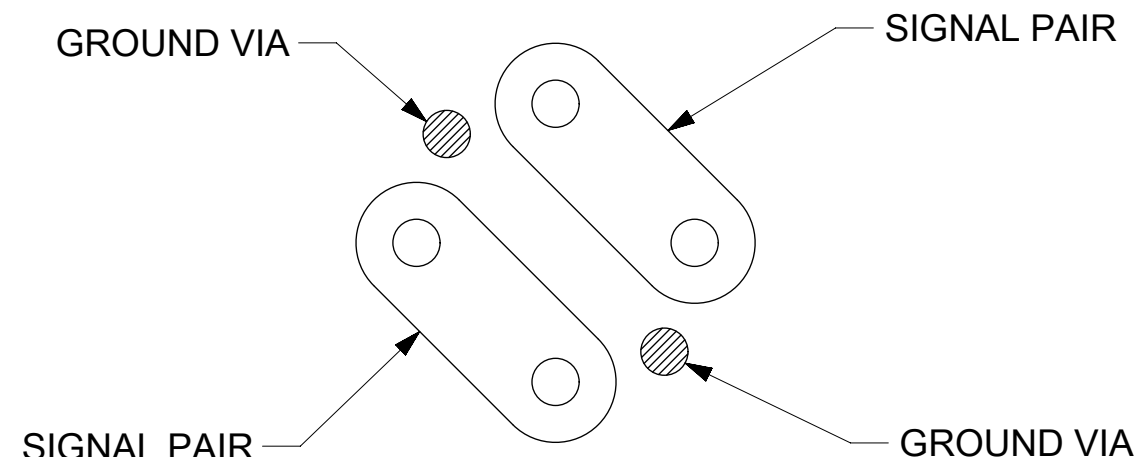


(OPEN END OPTION SHOWN)

THIS DRAWING CONTAINS INFORMATION THAT IS PROPRIETARY TO MOLEX ELECTRONIC TECHNOLOGIES, LLC AND SHOULD NOT BE USED WITHOUT WRITTEN PERMISSION											
DIMENSION UNITS		SCALE		CURRENT REV DESC: CORRECTED REMASTERING DRAWING TYPO & REMOVED TIN/LEAD OPTION MODULE TYPE AT SHT2 2-F6							
mm		NTS									
GENERAL TOLERANCES (UNLESS SPECIFIED)				EC NO: 629583						IMPACT 4 PAIR HEADER ORTHOGONAL ASSEMBLY UNGUIDED SALES DRAWING	
ANGULAR TOL ± 0.5°				4 PLACES ±		DRWN: JSGOH01		2018/06/06		PRODUCT CUSTOMER DRAWING	
3 PLACES ±				CHK'D: STTAN		2021/02/04		DOCUMENT NUMBER		DOC TYPE   DOC PART   REVISION	
2 PLACES ± 0.13				APPR: STTAN		2021/02/04		SD-76845-001		PSD 001 F2	
1 PLACE ± 0.25				INITIAL REVISION:		DRWN: JLAURX		0005/11/09		MATERIAL NUMBER	
0 PLACES ±				APPR: JBINGHAM		2010/01/14		CUSTOMER		SHEET NUMBER	
DRAFT WHERE APPLICABLE MUST REMAIN WITHIN DIMENSIONS				THIRD ANGLE PROJECTION		DRAWING		SERIES		SEE CHART	
				C-SIZE		76845		GENERAL MARKET		2 OF 3	



MIDPLANE PCB LAYOUT



DETAIL X  
SCALE 16:1

### ORTHO PIN MAPPING

#### OPTION 270 (NEARSIDE - FARSIDE)

A1-A1	A2-B1	A3-D1	A4-E1	A5-G1	A6-H1	A7-K1	A8-L1
B1-A2	B2-C1	B3-D2	B4-F1	B5-G2	B6-J1	B7-K2	B8-M1
C1-B2	C2-C2	C3-E2	C4-F2	C5-H2	C6-J2	C7-L2	C8-M2
D1-A3	D2-B3	D3-D3	D4-E3	D5-G3	D6-H3	D7-K3	D8-L3
E1-A4	E2-C3	E3-D4	E4-F3	E5-G4	E6-J3	E7-K4	E8-M3
F1-B4	F2-C4	F3-E4	F4-F4	F5-H4	F6-J4	F7-L4	F8-M4
G1-A5	G2-B5	G3-D5	G4-E5	G5-G5	G6-H5	G7-K5	G8-L5
H1-A6	H2-C5	H3-D6	H4-F5	H5-G6	H6-J5	H7-K6	H8-M5
J1-B6	J2-C6	J3-E6	J4-F6	J5-H6	J6-J6	J7-L6	J8-M6
K1-A7	K2-B7	K3-D7	K4-E7	K5-G7	K6-H7	K7-K7	K8-L7
L1-A8	L2-C7	L3-D8	L4-F7	L5-G8	L6-J7	L7-K8	L8-M7
M1-B8	M2-C8	M3-E8	M4-F8	M5-H8	M6-J8	M7-L8	M8-M8

### ORTHO PIN MAPPING

#### OPTION 90 (NEARSIDE - FARSIDE)

A1-M8	A2-L8	A3-J8	A4-H8	A5-F8	A6-E8	A7-C8	A8-B8
B1-M7	B2-K8	B3-J7	B4-G8	B5-F7	B6-D8	B7-C7	B8-A8
C1-L7	C2-K7	C3-H7	C4-G7	C5-E7	C6-D7	C7-B7	C8-A7
D1-M6	D2-L6	D3-J6	D4-H6	D5-F6	D6-E6	D7-C6	D8-B6
E1-M5	E2-K6	E3-J5	E4-G6	E5-F5	E6-D6	E7-C5	E8-A6
F1-L5	F2-K5	F3-H5	F4-G5	F5-E5	F6-D5	F7-B5	F8-A5
G1-M4	G2-L4	G3-J4	G4-H4	G5-F4	G6-E4	G7-C4	G8-B4
H1-M3	H2-K4	H3-J3	H4-G4	H5-F3	H6-D4	H7-C3	H8-A4
J1-L3	J2-K3	J3-H3	J4-G3	J5-E3	J6-D3	J7-B3	J8-A3
K1-M2	K2-L2	K3-J2	K4-H2	K5-F2	K6-E2	K7-C2	K8-B2
L1-M1	L2-K2	L3-J1	L4-G2	L5-F1	L6-D2	L7-C1	L8-A2
M1-L1	M2-K1	M3-H1	M4-G1	M5-E1	M6-D1	M7-B1	M8-A1

NOTE: PINOUTS SHOWN IN BALLOONS ARE GROUNDS.  
PINOUTS SHOWN ARE FOR SQUARE (8 COLUMN) PATTERN ONLY.

THIS DRAWING CONTAINS INFORMATION THAT IS PROPRIETARY TO MOLEX ELECTRONIC TECHNOLOGIES, LLC AND SHOULD NOT BE USED WITHOUT WRITTEN PERMISSION											
DIMENSION UNITS	SCALE	CURRENT REV DESC: CORRECTED REMASTERING DRAWING TYPO & REMOVED TIN/LEAD OPTION MODULE TYPE AT SHT2 2-F6									
mm	NTS	<b>molex</b>									
GENERAL TOLERANCES (UNLESS SPECIFIED)		IMPACT 4 PAIR HEADER ORTHOGONAL ASSEMBLY UNGUIDED SALES DRAWING									
ANGULAR TOL	± 0.5°	EC NO: 629583									
4 PLACES	±	DRWN: JSGOH01				2018/06/06					
3 PLACES	±	CHK'D: STTAN				2021/02/04					
2 PLACES	± 0.13	APPR: STTAN				2021/02/04					
1 PLACE	± 0.25	INITIAL REVISION:									
0 PLACES	±	DRWN: JLAURX				0005/11/09					
		APPR: JBINGHAM				2010/01/14					
DRAFT WHERE APPLICABLE MUST REMAIN WITHIN DIMENSIONS		THIRD ANGLE PROJECTION		DRAWING		SERIES		DOCUMENT NUMBER		DOC TYPE   DOC PART   REVISION	
		C-SIZE		76845		SD-76845-001		PSD		001   F2	
		MATERIAL NUMBER		CUSTOMER		SEE CHART		GENERAL MARKET		SHEET NUMBER	
										3 OF 3	