

MATERIALS AND FINISHES

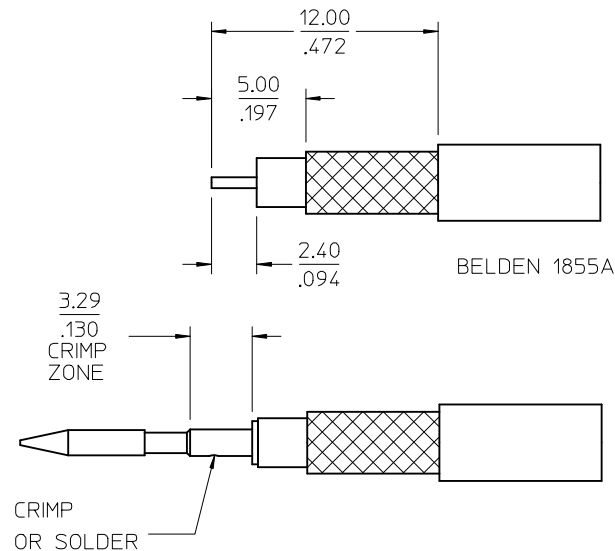
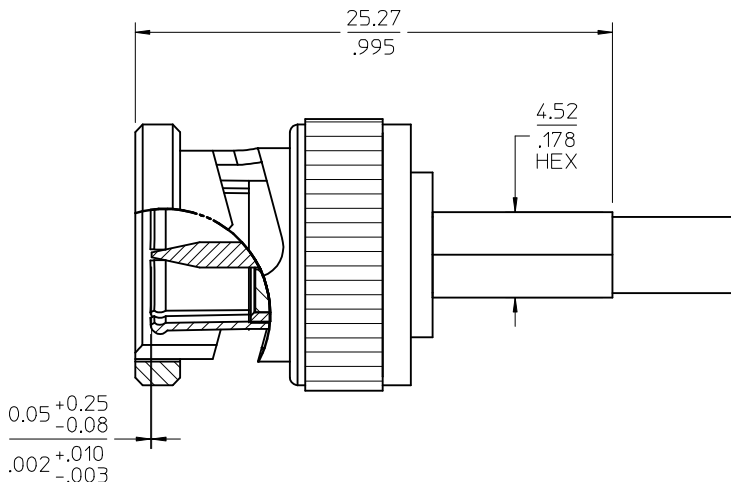
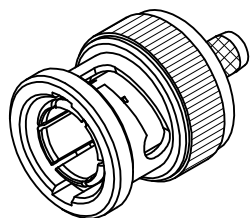
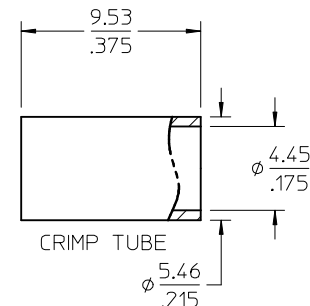
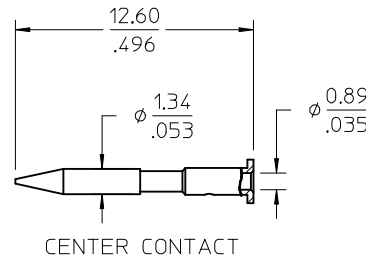
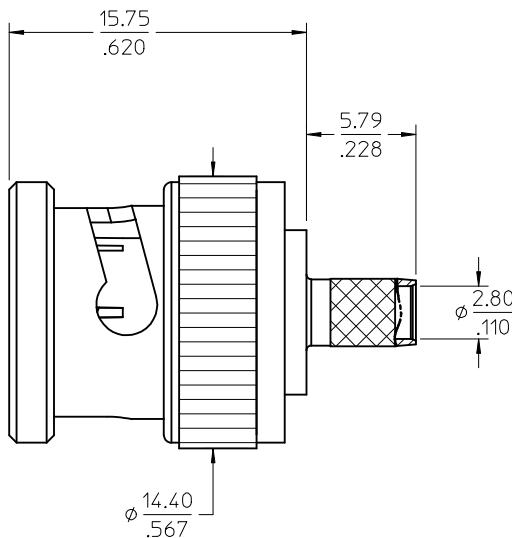
BODY: BRASS
PLATED NICKEL (70 μ-IN MIN)

CENTER CONTACT: BRASS
PLATED GOLD (SEE TABLE)

INSULATOR TEFLON

COUPLING NUT: ZINC
PLATED: NICKEL (70 μ-IN MIN)

CRIMP TUBE: BRASS
PLATED: NICKEL (100 μ-IN MIN)



73171-4291	10
73171-4290	30
PART NO.	FINISH CONT
	μ-IN GOLD

PS-89675-1030	PRODUCT SPECIFICATION
SPECIFICATION	DESCRIPTION

CHG: UPDATE VIEW FOR BODY DELETE FOIL NOTE 0.110 WAS 0.109	
EC NO: URF2013-0449	2013/02/04
DRWN: JWIENER	2013/02/04
CHKD: SSS	2013/02/04
APPR: JWIENER	2013/02/04
REV	DESCRIPTION
A1	

QUALITY SYMBOLS	▽=0
	▽=0

GENERAL TOLERANCES (UNLESS SPECIFIED)	
mm	INCH
4 PLACES ± .005	± .0005
3 PLACES ± .002	± .0002
2 PLACES ± .001	± .0001
1 PLACE ± .0005	± .00005
ANGULAR ± 2°	
DRAFT WHERE APPLICABLE MUST REMAIN WITHIN DIMENSIONS	

DIMENSION STYLE MM/IN	
DRAWN BY	DATE
AROBERTSON	2012/01/17
CHECKED BY	DATE
SSS	2012/01/17
APPROVED BY	DATE
JWIENER	2012/02/03
MATERIAL NO.	
SEE TABLE	
SIZE	C

SCALE	DESIGN UNITS	THIRD ANGLE PROJECTION
	METRIC	
TITLE		
BNC PLUG STR 75 OHM CRIMP/CRIMP 1855A CABLE BNC-PC, EWR-4875		
MOLEX INCORPORATED		
DOCUMENT NO.	SHEET NO.	
SD-73171-429	1 OF 1	
THIS DRAWING CONTAINS INFORMATION THAT IS PROPRIETARY TO MOLEX INCORPORATED AND SHOULD NOT BE USED WITHOUT WRITTEN PERMISSION		