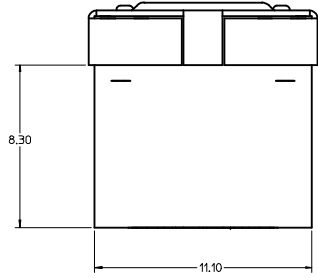
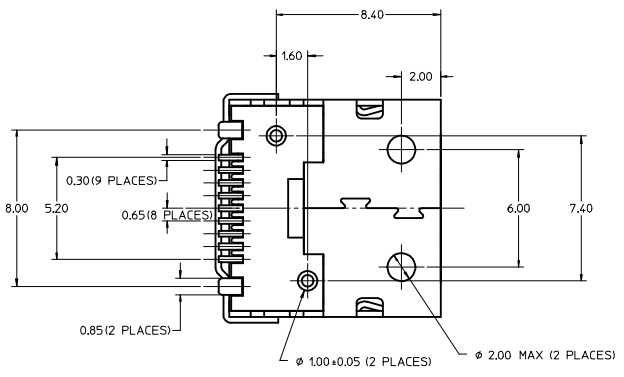
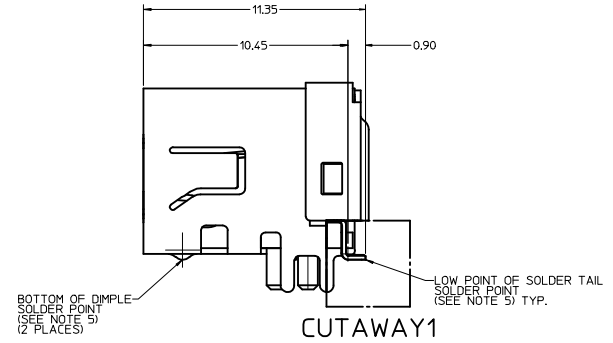
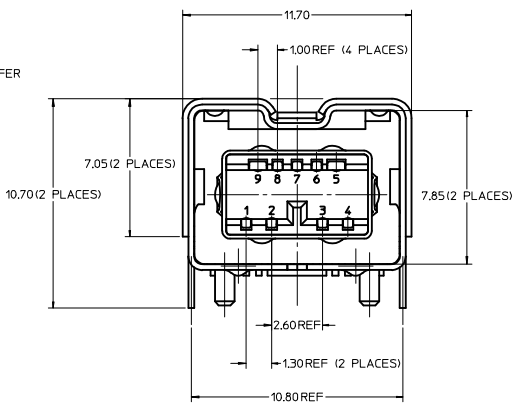
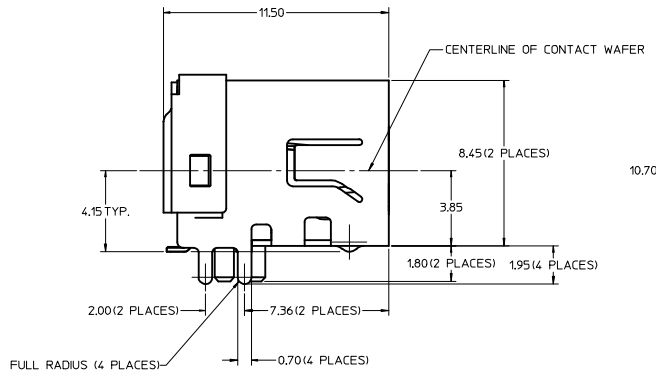


**NOTES:**

1. MATERIAL:
  - OUTER SHELL: COPPER ALLOY
  - BACK SHELL: STEEL
  - INNER SHELL: COPPER ALLOY
  - CONTACTS: COPPER ALLOY
  - PLASTIC MOLDINGS: THERMOPLASTIC; COLOR: BLACK
2. FINISH:
  - PLATED DEPOSITS TO CONFORM TO THE REQUIREMENTS OF IEEE1394B:
    - \*OUTER SHELL: EXCEPTION: 0.00076 MIN. PLATABLE NICKEL (NICKEL SULFATE) OVER 0.00305 MIN. COPPER
    - \*BACK SHELL: EXCEPTION: 0.00076 MIN. PLATABLE NICKEL (NICKEL SULFATE) OVER 0.00305 MIN. COPPER
    - \*INNER SHELL: EXCEPTION: 0.00076 MIN. PLATABLE NICKEL (NICKEL SULFATE) OVER 0.00305 MIN. COPPER
    - \*CONTACTS: 0.00076 MIN. SELECT GOLD AND 0.00305 MIN. SELECT TIN OVER 0.00127 MIN. NICKEL OVERALL
3. PRODUCT SPECIFICATION: PS-45240-001
4. PACKAGING: SEE CHART
5. COPLANARITY OF SOLDER POINTS = 0.10mm TOTAL.
6. THE KEYING PEGS ONLY DISTINGUISH THIS BILINGUAL SOCKET FROM A BETA SOCKET. THE KEYING PEGS AND THE FOUR THRU-HOLE SOLDER TAILS DO NOT ALIGN THE SOCKET TO THE PCB FOOTPRINT WITH SUFFICIENT PRECISION TO ASSURE CORRECT SOLDERING.



PART NUMBER	PACKAGING
46270-0001	TRAY PACKED PER PK-46270-001
46270-0002	TAPE & REEL PER PK-46270-003



BILINGUAL

<b>ADD TAPE &amp; REEL</b> IEC NO: UCP2009-2451 DRAWN BY: CHYKSSOUSEK CHECKED BY: APPR:FSM TH DATE: 2009/06/05 DATE: 2009/06/15	<b>QUALITY SYMBOLS</b> =0 =0	GENERAL TOLERANCES (UNLESS SPECIFIED)		DIMENSION STYLE <b>MM ONLY</b>	SCALE <b>8:1</b>	DESIGN UNITS <b>METRIC</b>	THIRD ANGLE PROJECTION		
		4 PLACES ± --- ± ---	3 PLACES ± --- ± ---	2 PLACES ± 0.15 ± ---	1 PLACE ± 0.25 ± ---	DRAWN BY: PELOZA DATE: 2006/08/02	CHECKED BY: PELOZA DATE: 2006/08/02	APPROVED BY: COMERC DATE: 2006/08/02	TITLE <b>BILINGUAL SOCKET ASS'Y                  RIGHT ANGLE                  THRU HOLE</b>
		ANGULAR ±1/2°		DRAFT WHERE APPLICABLE MUST REMAIN WITHIN DIMENSIONS		MATERIAL NO. <b>SEE CHART</b>	DOCUMENT NO. <b>SD-46270-001</b>	MOLEX INCORPORATED	SHEET NO. 1 OF 1
		THIS DRAWING CONTAINS INFORMATION THAT IS PROPRIETARY TO MOLEX INCORPORATED AND SHOULD NOT BE USED WITHOUT WRITTEN PERMISSION							