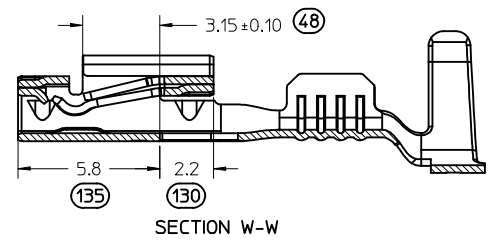
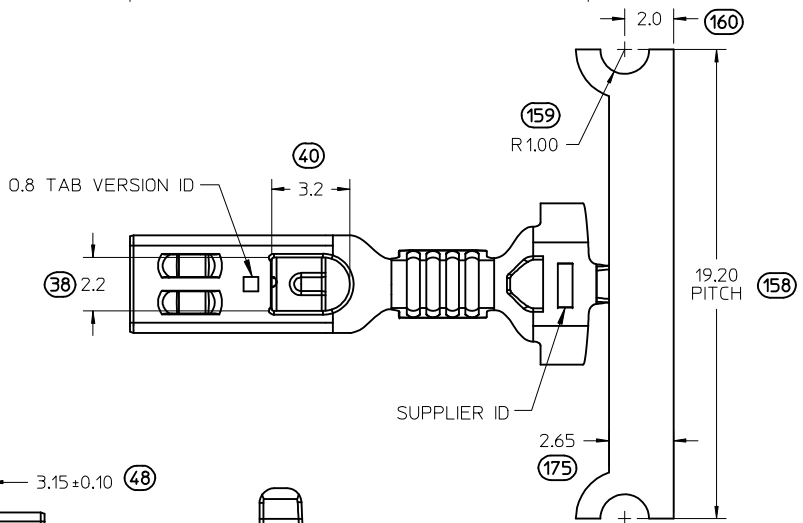
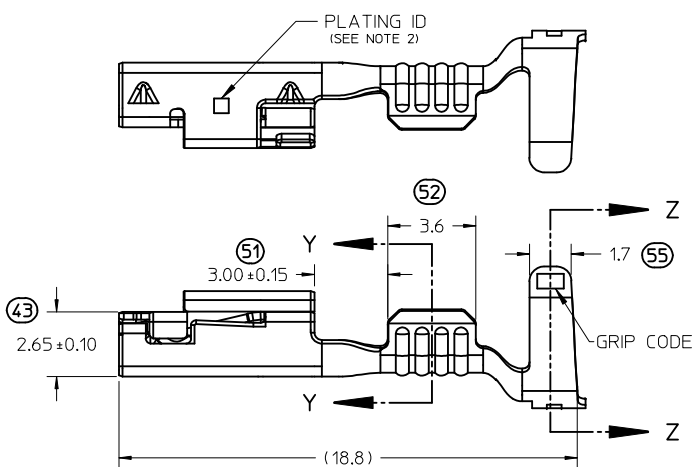
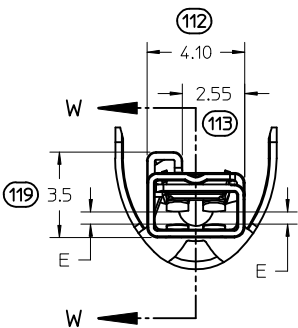
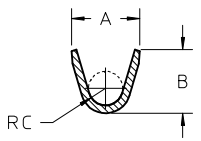


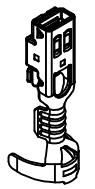
10 9 8 7 6 5 4 3 2 1



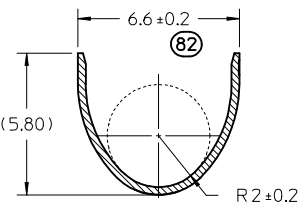
TERMINAL PART NUMBERS		GRIP CODE	WIRE GAUGE ISO/JASO mm <sup>2</sup>	PLATING	DIM A ±0.2	DIM B ±0.2	DIM RC ±0.2	DIM E (0,44)	APPLICABLE CABLE SEAL PART NUMBERS
D-WIND (LEFT PAYOFF)	B-WIND (RIGHT PAYOFF)								
34808-1001	34808-1005	VS	0.5 - 1.0	TIN (Sn)	2.8	(2.6)	0.7		64325-1332
34808-1002	34808-1006	S	1.5 - 2.0		4.1	(3.5)	0.9		64325-1345
34808-1003	34808-1007	M	2.5 - 3.0		4.1	(4.4)	1.0		64325-1358
34808-1004	34808-1008	L	4.0 - 5.0		5.0	(5.2)	1.3		64325-1366



CONDUCTOR GRIP SECTION Y-Y



ISO VIEW SCALE 5:1



INSULATOR GRIP SECTION Z-Z

NOTES: (UNLESS OTHERWISE SPECIFIED)

1. MATERIAL: COPPER ALLOY
2. PLATING MARK: TIN(Sn)- NO MARK
3. CRIMPING PER AS-98675-002
4. PACKAGING PER SD-31301-053
5. PROBING AT ANY LOCATION ON THE TERMINAL BEAM IS NOT PERMITTED
6. APPLICABLE CABLE SEAL PART INFORMATION SHOWN ON SD-64325-006

<b>ENTER DESCRIPTION</b> EC NO: UAU2013-0702 DRWN: AKARANA 2012/10/25 CHKD: DHEMNANI 2012/10/30 APPR: BMOSER 2012/11/26	<b>QUALITY SYMBOLS</b> ▽/0 ▽/0 ▽/0	<b>GENERAL TOLERANCES (UNLESS SPECIFIED)</b>		<b>DIMENSION STYLE MM ONLY</b>		SCALE <b>5:1</b>	DESIGN UNITS <b>METRIC</b>	THIRD ANGLE PROJECTION			
		4 PLACES ± --- ± ---	3 PLACES ± --- ± ---	2 PLACES ± 0.05 ± ---	1 PLACE ± 0.1 ± ---	0 PLACE ± ±	DRAWN BY AKARANA	DATE 2012/10/25	TITLE <b>CTX280 SEALED VR RCPT TERM</b>		
		ANGULAR ± 1 °					CHECKED BY DHEMNANI	DATE 2012/10/30			
		DRAFT WHERE APPLICABLE MUST REMAIN WITHIN DIMENSIONS					APPROVED BY BMOSER	DATE 2012/11/26	MATERIAL NO. <b>SEE TABLE 1</b>	DOCUMENT NO. <b>SD-34808-001</b>	SHEET NO. 1 OF 1

9 8 7 6 5 4 3 2 1