



# TAI-SAW TECHNOLOGY CO., LTD.

No. 3, Industrial 2nd Rd., Ping-Chen Industrial District,  
Taoyuan, 324, Taiwan, R.O.C.

TEL: 886-3-4690038 FAX: 886-3-4697532

E-mail: [tstsales@mail.taisaw.com](mailto:tstsales@mail.taisaw.com) Web: [www.taisaw.com](http://www.taisaw.com)

## Product Specifications Approval Sheet

Product Name: 184.32 MHz 4.4MHz BW SMD 3.8 x 3.8 mm SAW IF Filter

TST Parts No.: TB0995A

Customer Parts No.: \_\_\_\_\_

Customer signature required
Company: _____
Division: _____
Approved by : _____
Date: _____

Checked by: \_\_\_\_\_ Kazuma Lee 

Approval by: \_\_\_\_\_ Francis Chen 

Date: \_\_\_\_\_ 05 / 25 / 2011

1. Customer signed back is required before TST can proceed with sample build and receive orders.
2. Orders received without customer signed back will be regarded as agreement on the specifications.
3. Any specifications changes must be approved upon by both parties and a new revision of specifications shall be released to reflect the changes.



# TAI-SAW TECHNOLOGY CO., LTD.

No.3, Industrial 2nd Rd., Ping-Chen Industrial District, Taoyuan, Taiwan, R.O.C.

TEL: 886-3-4690038 FAX: 886-3-4697532

E-mail: [tstsales3@mail.taisaw.com](mailto:tstsales3@mail.taisaw.com) Web: [www.taisaw.com](http://www.taisaw.com)

SAW Filter 184.32MHz 5MHz BW (SMD 3.8×3.8 mm)

MODEL NO.: TB0995A

REV. NO.1

## A. MAXIMUM RATING:

1. Operating temperature range: -30°C to 85°C
2. Storage temperature range: -40°C to 85°C
3. Input Power Level : 15 dBm
4. Maximum DC Voltage : 10V

RoHS Compliant  
Lead free  
Lead-free soldering

Electrostatic Sensitive Device

## B. Characteristics :

1. Ambient Temperature: 25 °C

Item	Unit	Min.	Type.	Max.
Center frequency, <b>F<sub>c</sub></b>	MHz	-	184.32	-
Insertion Loss, <b>IL</b>	dB	-	5.2	8.0
-1dB bandwidth	MHz	-	4.4	-
VSWR <b>F<sub>c</sub>±1.5MHz</b>	MHz	-	2.0	2.4
Passband Ripple <b>F<sub>c</sub>±2.5MHz</b>	dB	-	1.6	2.0
Attenuation:(Reference level from Min IL)				
10MHz ~ 176.82MHz	dB	30	37	
191.82MHz ~ 284.32MHz	dB	30	39	
Temperature Coefficient	ppm/°C	-	-18	-
Source Impedance	Ohm	-	50	-
Load Impedance	Ohm	-	50	-

Note: Electrical characteristics shall be calculated with ideal capacitor and inductor.

### C. Frequency Characteristics :\_

#### (1) Wide band Response:(span 100MHz)

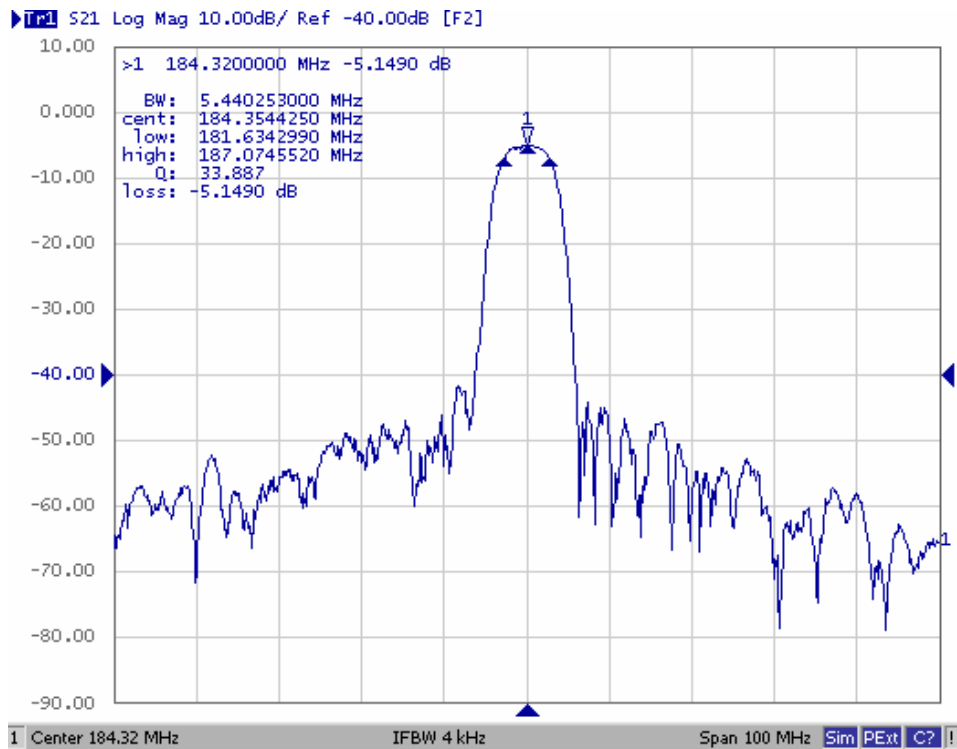


Fig1. Horizontal: 10MHz/Div Vertical: 10dB/Div

#### (2) Pass band Response and Group Time Delay Response:

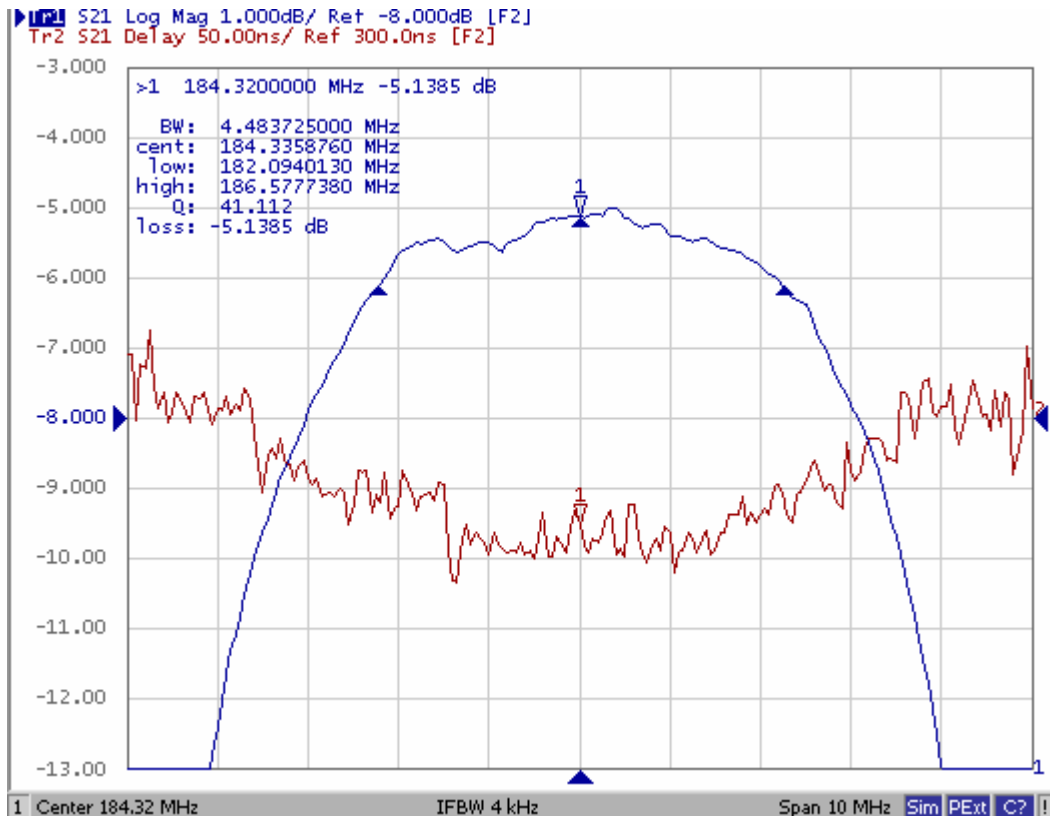
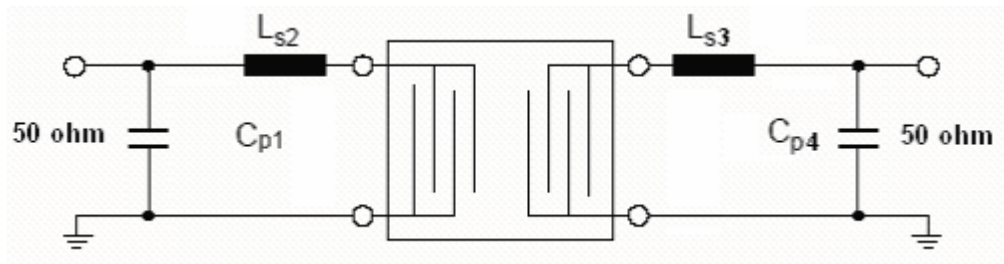


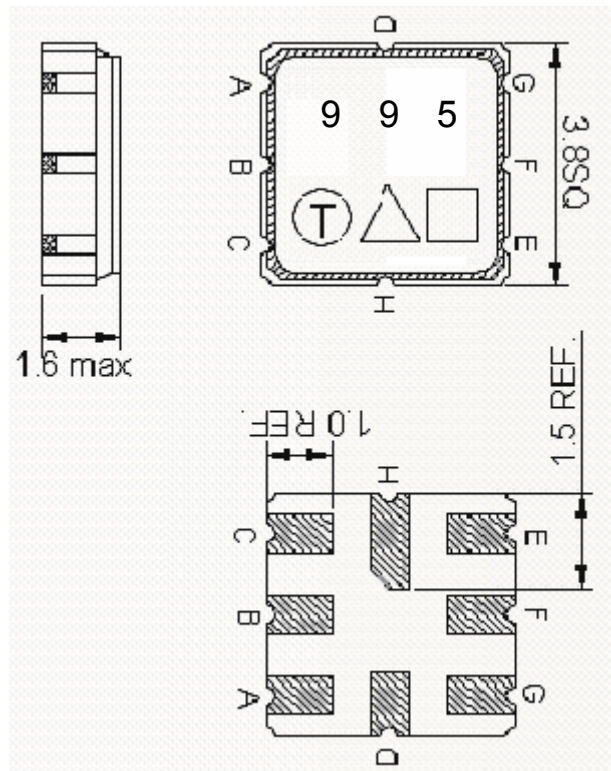
Fig2. Horizontal: 1MHz/Div Vertical: 1dB/Div  
Vertical: 50ns/Div

**D. Matching Circuit:**



**Ls2=125nH Ls3=110nH Cp1=27pF Cp4=24pF**

**E Outline Drawing:**



#A –Input

#E – Output

#B,C,D,F,G,H – Ground

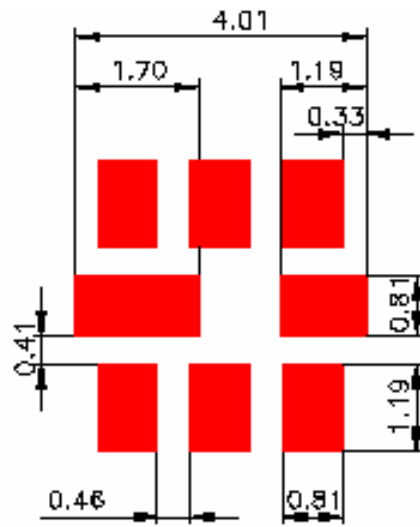
□ : Week Code (Follow the table from planner each year)

Unit : mm

△ : Product / Year Code

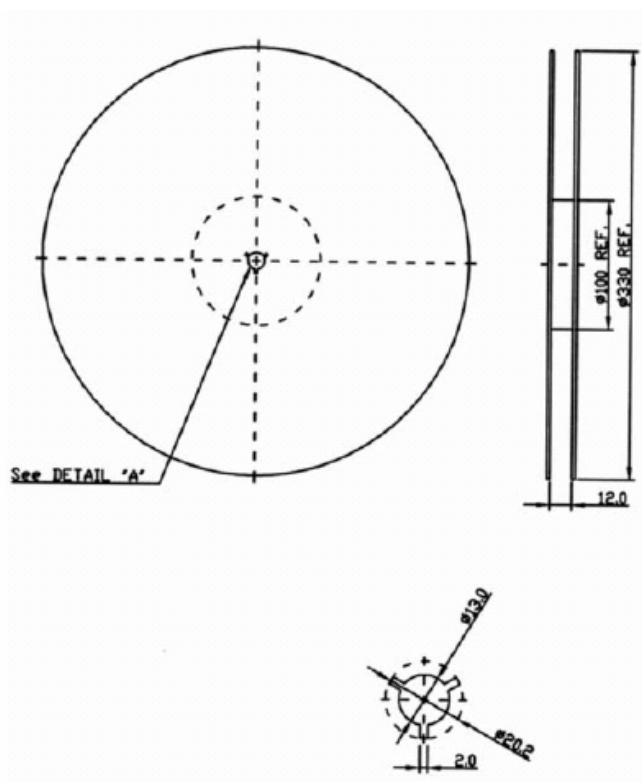
Year	2009 2011	2010 2012
Product Code	B	b

**F. PCB Footprint:**

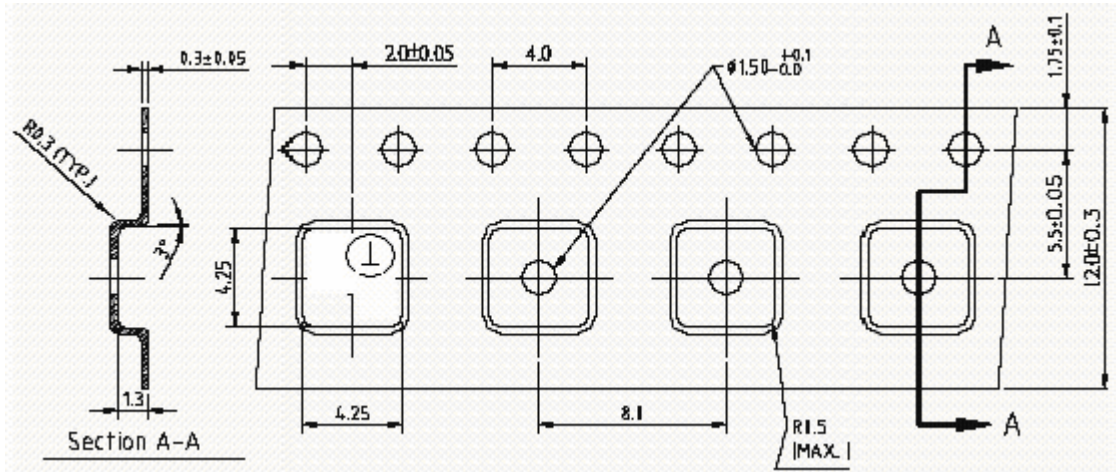


**G. PACKING:**

1. REEL DIMENSION:



2. TAPE DIMENSION:



H. RECOMMENDED REFLOW PROFILE :

