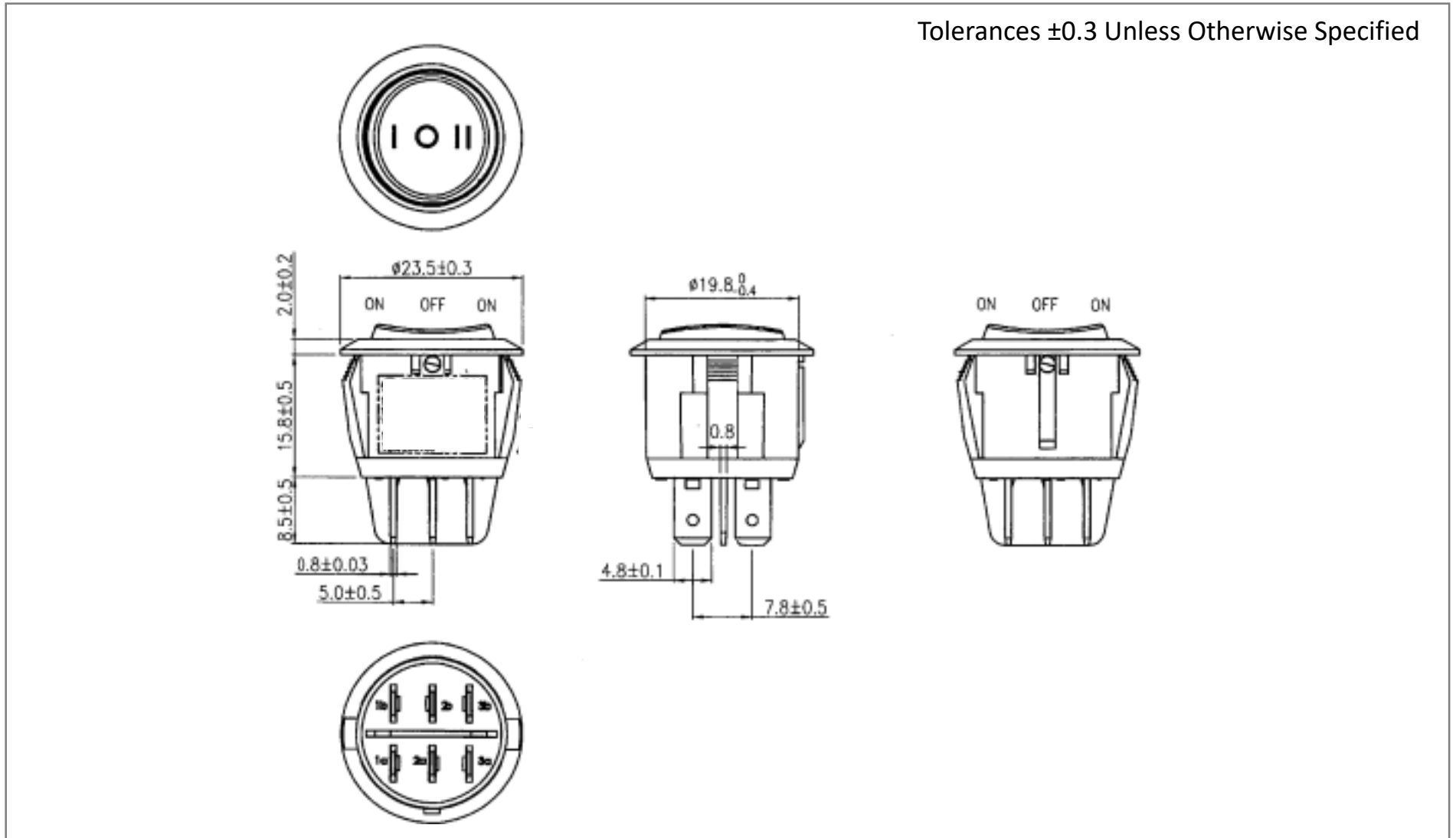
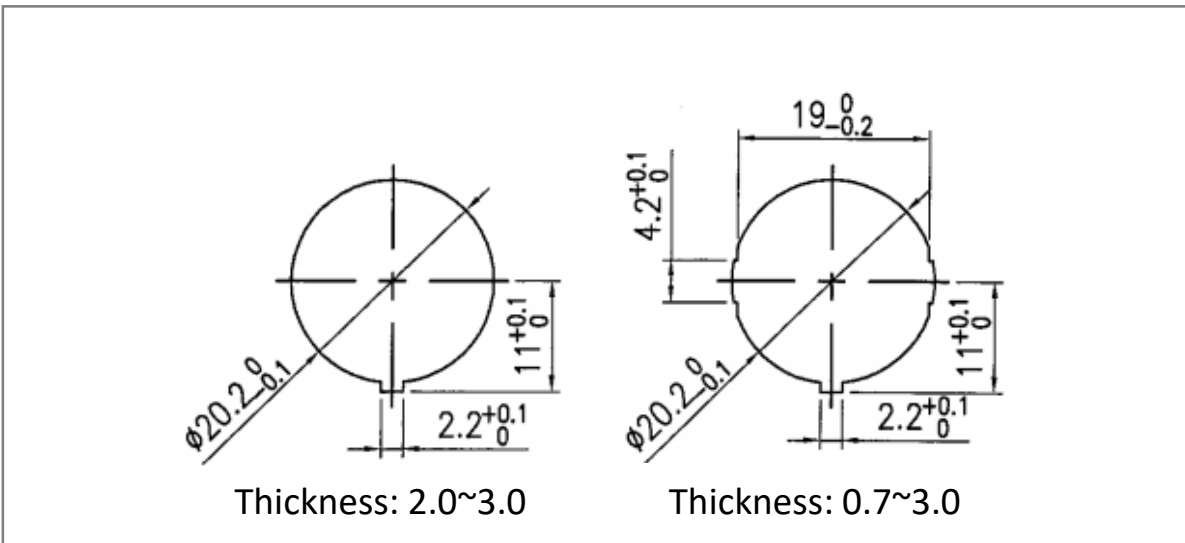


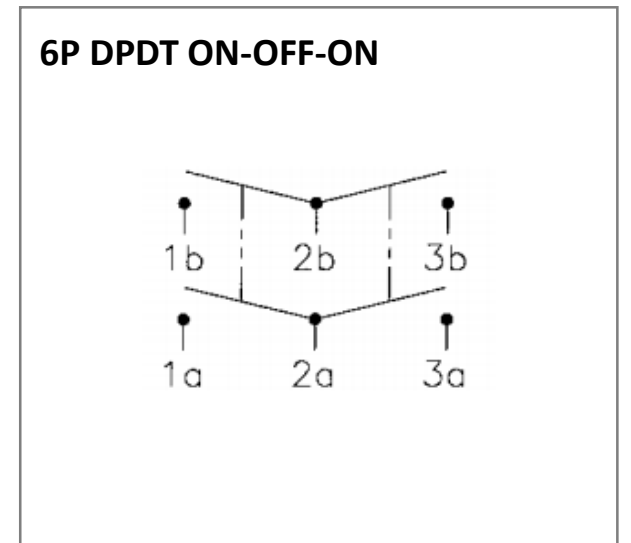
Mechanical Dimensions (mm)



Mounting Hole



Circuit Diagram



Electrical Specifications

<b>Rating</b>	20A 14V DC 10A 28V DC	
<b>Contact Resistance</b>	50m ohm Max.	
<b>Insulation Resistance</b>	DC 500V 100M ohm Min.	
<b>Dielectric Strength</b>	AC 1500V 1 minute	
<b>Operation Temperature</b>	-25°C~85°C	

Material Specifications

<b>Frame</b>	Black, Nylon#66
<b>Actuator</b>	Black, Nylon#66
<b>Terminal</b>	Copper alloy, Silver plated
<b>Printed</b>	White, hot stamping