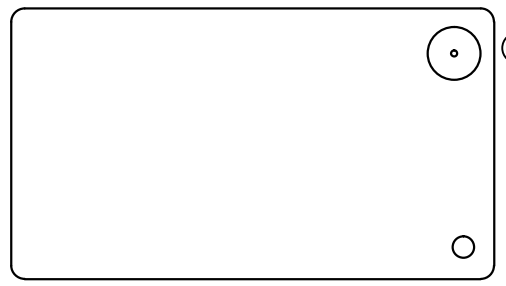


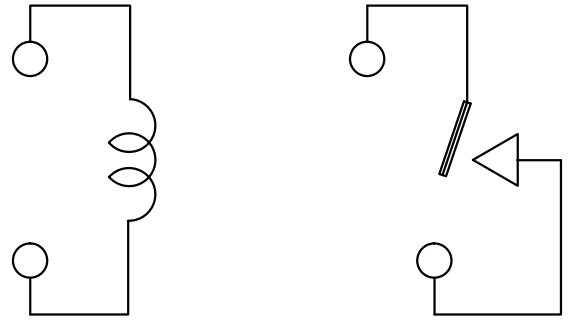
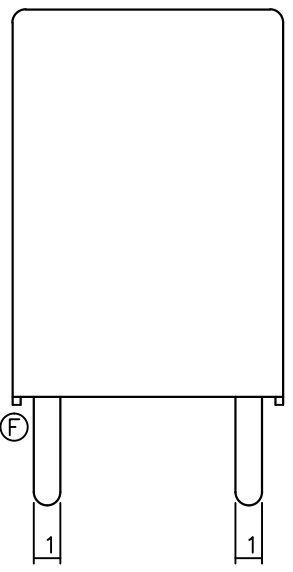
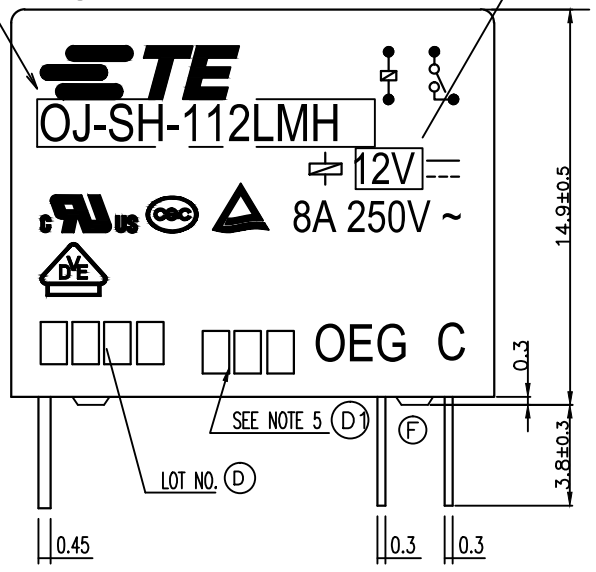
THIS DRAWING IS UNPUBLISHED. RELEASED FOR PUBLICATION
 © COPYRIGHT - By - TE CONNECTIVITY ALL RIGHTS RESERVED.

LOC	DIST	REVISIONS				
P	LTR	DESCRIPTION	DATE	DWN	APVD	
HB	-	F	REMOVED THE PWB ON THE BASE TO CASE E00-15-011310	3Nov2015	HYS	CHL



PART B

PART A



CONNECTION FIGURE

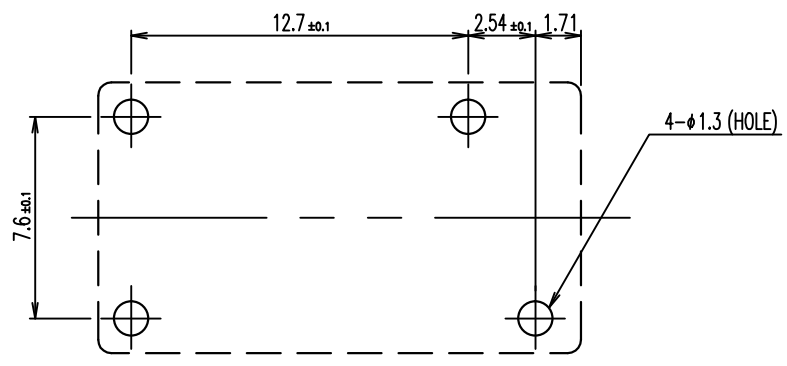
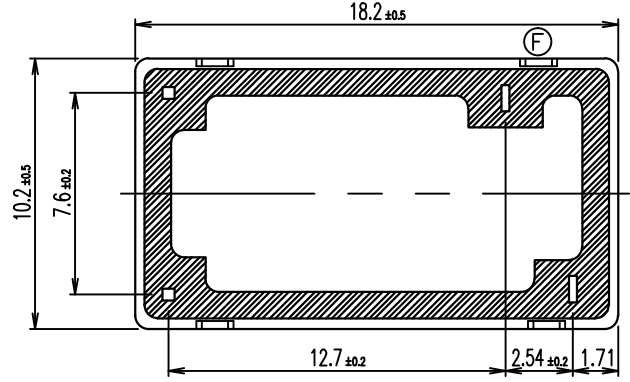


FIGURE FOR PRINTED CIRCUIT BOARD PROCESSING (BOTTOM VIEW)



THIS DRAWING IS A CONTROLLED DOCUMENT.		DWN	H.Sasaki	TE Connectivity			
DIMENSIONS: mm		CHK	Y.Oikawa	NAME			
TOLERANCES UNLESS OTHERWISE SPECIFIED:		APVD	A.Nagai	-			
0 PLC ± - 1 PLC ± - 2 PLC ± - 3 PLC ± - 4 PLC ± - ANGLES ± -		PRODUCT SPEC	-	OJ-SS-LMH CUSTOMER DRAWING			
MATERIAL		APPLICATION SPEC	-	SIZE	CAGE CODE	DRAWING NO	RESTRICTED TO
FINISH		WEIGHT	-	A3	00779	1461080	-
CUSTOMER DRAWING				SCALE	5:1	SHEET	1 OF 2
				REV	F		

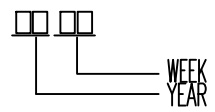
THIS DRAWING IS UNPUBLISHED. RELEASED FOR PUBLICATION - , - .
 © COPYRIGHT - By - TE CONNECTIVITY ALL RIGHTS RESERVED.

LOC	DIST	REVISIONS					
HB	-	P	LTR	DESCRIPTION	DATE	DWN	APVD
		-		SEE SHEET 1	-	-	-

4-1419144-4	OJ-SS-124LMH	107-79010	24V	OJ-SS-124LMH	g
1-1461080-1	OJ-SS-118LMH	107-79010	18V	OJ-SS-118LMH	f
2-1419129-5	OJ-SS-112LMH	107-79010	12V	OJ-SS-112LMH	e
1461080-3	OJ-SS-109LMH	107-79010	9V	OJ-SS-109LMH	d
4-1419144-0	OJ-SS-106LMH	107-79010	6V	OJ-SS-106LMH	c
1461080-2	OJ-SS-105LMH	107-79010	5V	OJ-SS-105LMH	b
1461080-1	OJ-SS-103LMH	107-79010	3V	OJ-SS-103LMH	a
TE PART NO	TE TYPE NAME	PACKAGE SPEC.	PART B	PART A	TYPE

RELAY TYPE

ⓓ Ⓞ NOTES:
 1. LOT NO. SYSTEM AS FOLLOWING:



ⓓ 2. TERMINAL DIMENSION IS BEFORE SOLDER DIP;
 ⓓ 3. FOR THE TIN-PLATING OF THE PINS:
 +0.1mm FOR WIDTH, THICKNESS AND DIAMETER.
 +0.5mm FOR LENGTH.

ⓔ ⓓ 4. MARKING FROM INK TO LASER AND USING WELDED CONTACT

ⓓ 5. ADD LOT NO. SYSTEM AS FOLLOWING;
 I, DIGITS FOR DAY OF THE WEEK
 1...MONDAY IN THIS WEEK;
 2...TUESDAY IN THIS WEEK;

 7...SUNDAY IN THIS WEEK
 II, DIGITS FOR SHIFT OF THE DAY
 1...DAY SHIFT IN THIS DAY;
 2...NIGHT SHIFT IN THIS DAY;
 III, ONE CHARACTER DISTINGUISH THE LINE IDENTITY,
 SUCH AS: A,B,....Z

		EPOXY RESIN	SEAL (BASE & BOBBIN)	15
		JUEW	MAGNETIC WIRE	14
94V-0		P.B.T	CASE	13
94V-0		P.B.T	BASE	12
94V-0		P.B.T	BOBBIN	11
	SOLDER DIP	C.P WIRE	COIL TERMINAL	10
94V-0		P.P.S	CARD	9
		Ag ALLOY	MOVABLE CONTACT	8
		Ag ALLOY	NO.CONTACT	7
		STEEL	HINGE SPRING	6
	SOLDER DIP	Cu ALLOY	NO.TERMINAL	5
	SOLDER DIP	Cu ALLOY	MOVABLE SPRING	4
	NIP	STEEL	CORE	3
	NIP	STEEL	ARMATURE	2
	NIP	STEEL	YOKE	1
INCOMBUSTIBILITY	TREATMENT	MATERIAL	DESCRIPTION	ITEM

THIS DRAWING IS A CONTROLLED DOCUMENT.		DWN	H.Sasaki	-
DIMENSIONS: mm		CHK	Y.Oikawa	-
TOLERANCES UNLESS OTHERWISE SPECIFIED:		APVD	A.Nagai	-
	0 PLC	± -	NAME	
	1 PLC	± -	-	
	2 PLC	± -	OJ-SS-LMH CUSTOMER DRAWING	
	3 PLC	± -	-	
4 PLC	± -	SIZE		
ANGLES	± -	CAGE CODE		
MATERIAL	FINISH	DRAWING NO		RESTRICTED TO
-	-	A3 00779		-
CUSTOMER DRAWING		1461080		-
		SCALE	5:1	SHEET 2 OF 2
		REV		F