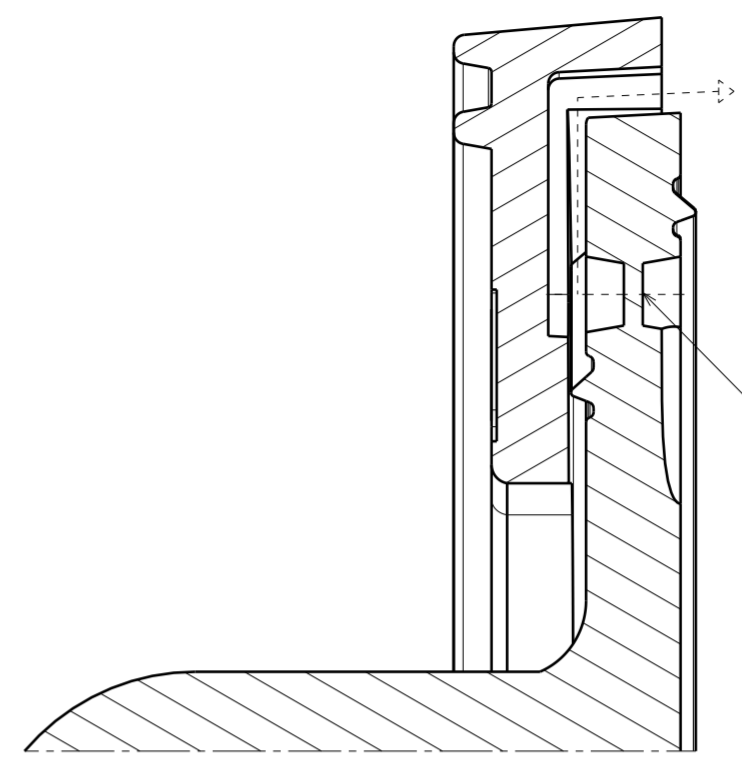
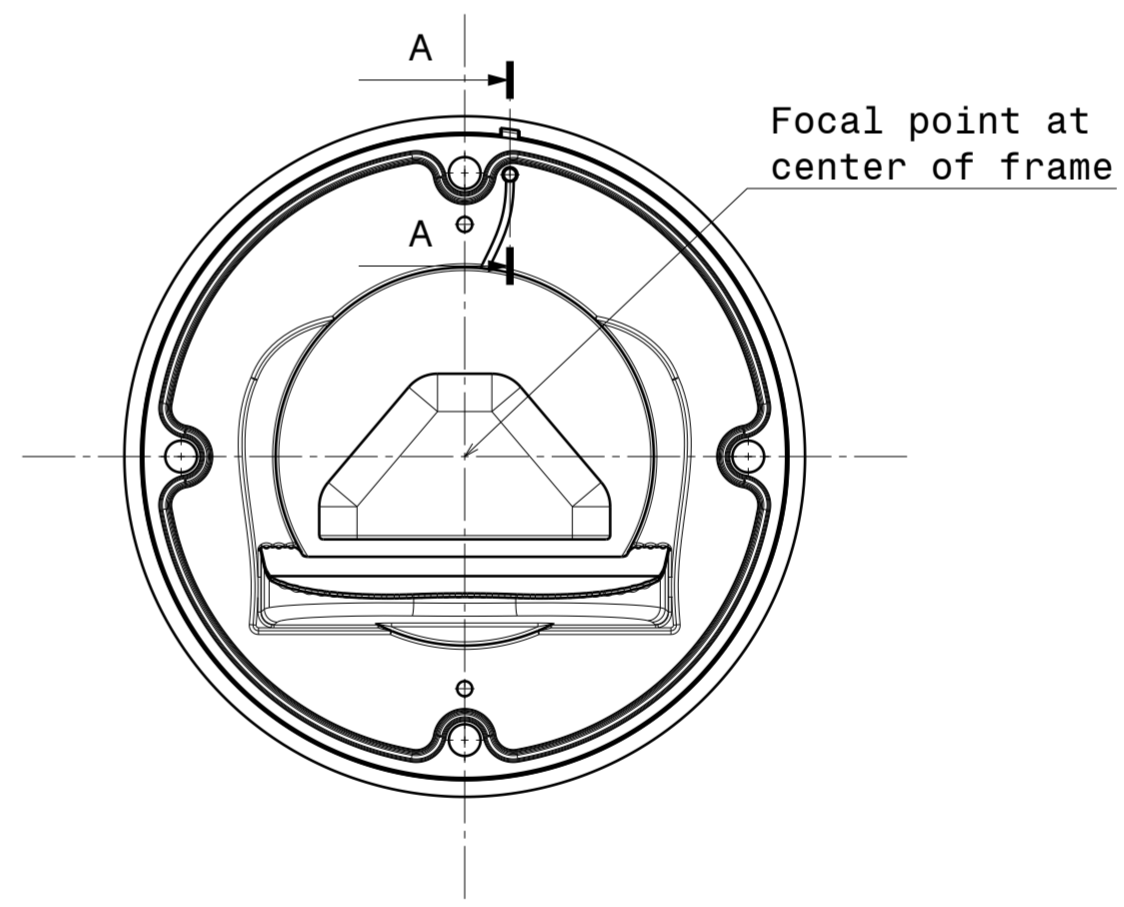
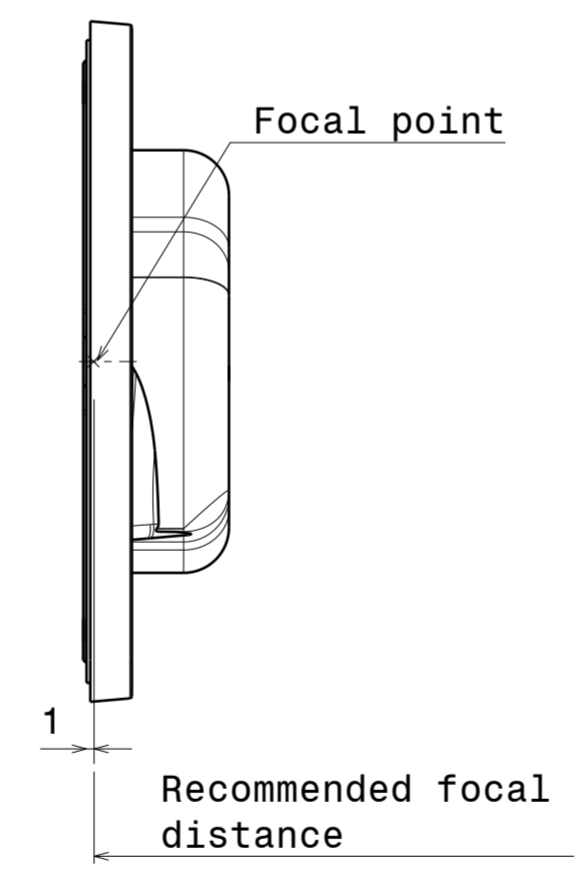
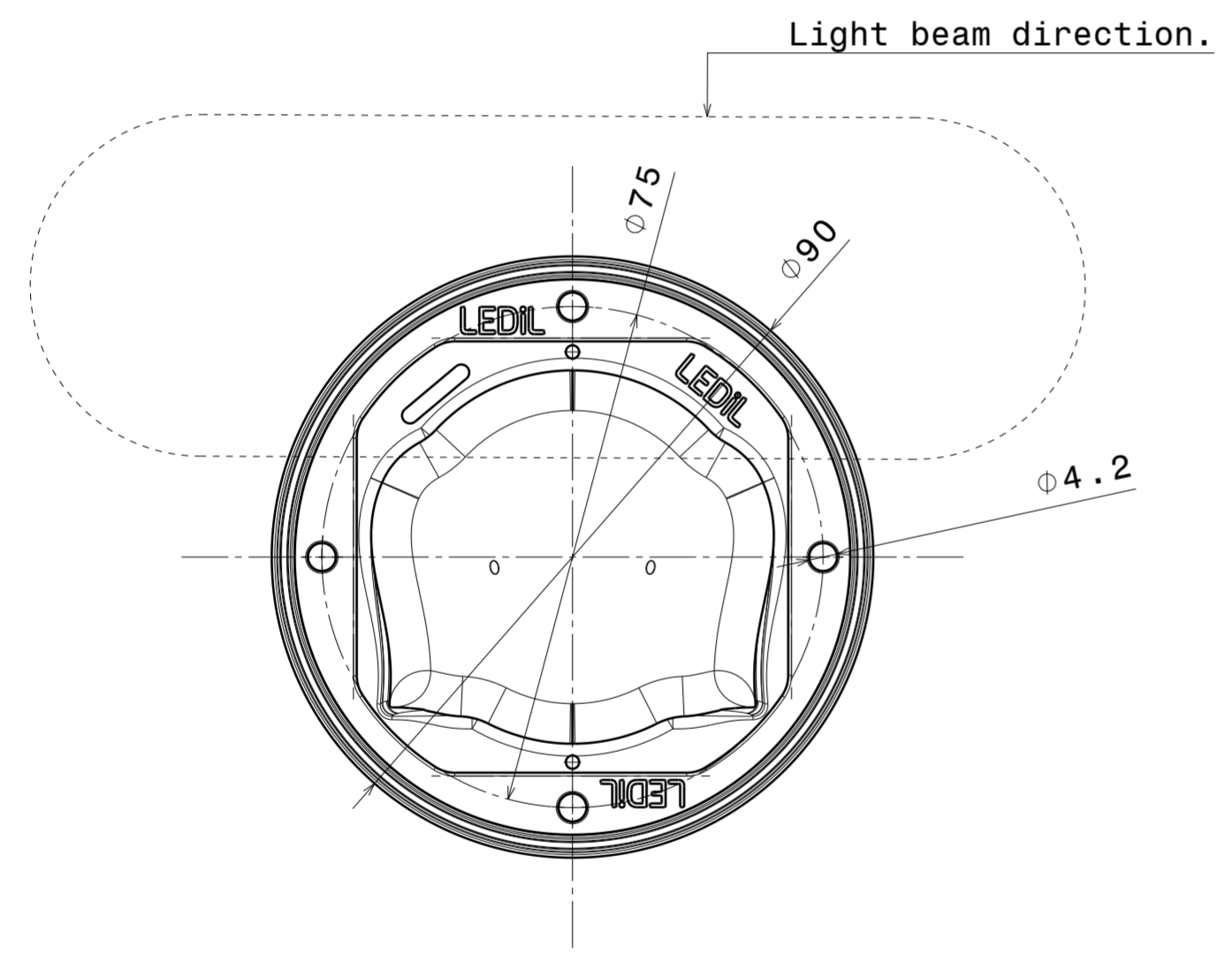


Isometric view  
Scale: 1:1



Venting pipe:  
Piercing this membrane  
will Allow lens breathing

Section view A-A  
Scale: 5:1



NOTE: Maximum recommended tightening torque for STELLA-FRAME is 0,4Nm

INDEX	PART NO	DESCRIPTION	MATERIAL	COLOUR
1	STELLA-DWC2	LENS	Optical grade LSR	
2	STELLA-DWC2	FRAME	PA66GF30	black/white

Tolerances if not otherwise shown  
According to DIN ISO 2768-1  
Linear measures: class V  
Please note that due to the elasticity of products made of silicone actual measured values may vary, and therefore typical tolerance values may not be applied.

THIRD ANGLE PROJECTION:

This drawing is the property of LEDiL Oy. It may not be reproduced, copied or communicated without a written agreement with LEDiL Oy.

**LEDiL** Ledil Oy  
Salorankatu 10  
FIN 24240 SALO  
Finland

DRAWING TITLE  
**STELLA-DWC2 datasheet**

SIZE	PART NUMBER
A2	FN14976
SCALE	1:1
WEIGHT	-
SHEET	1/1