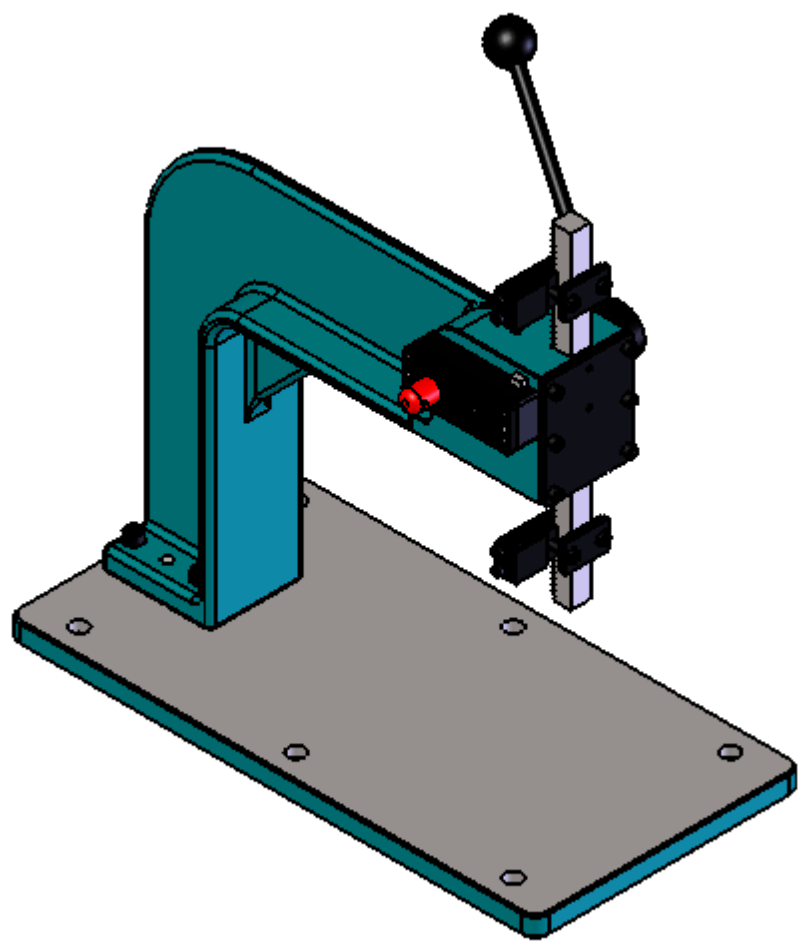
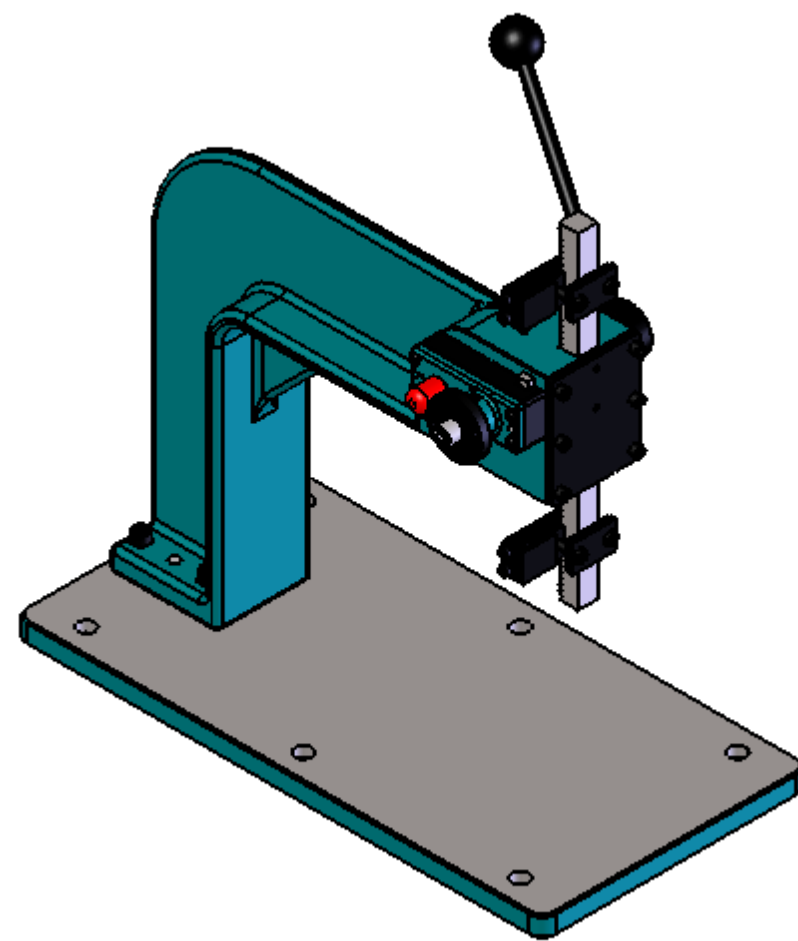


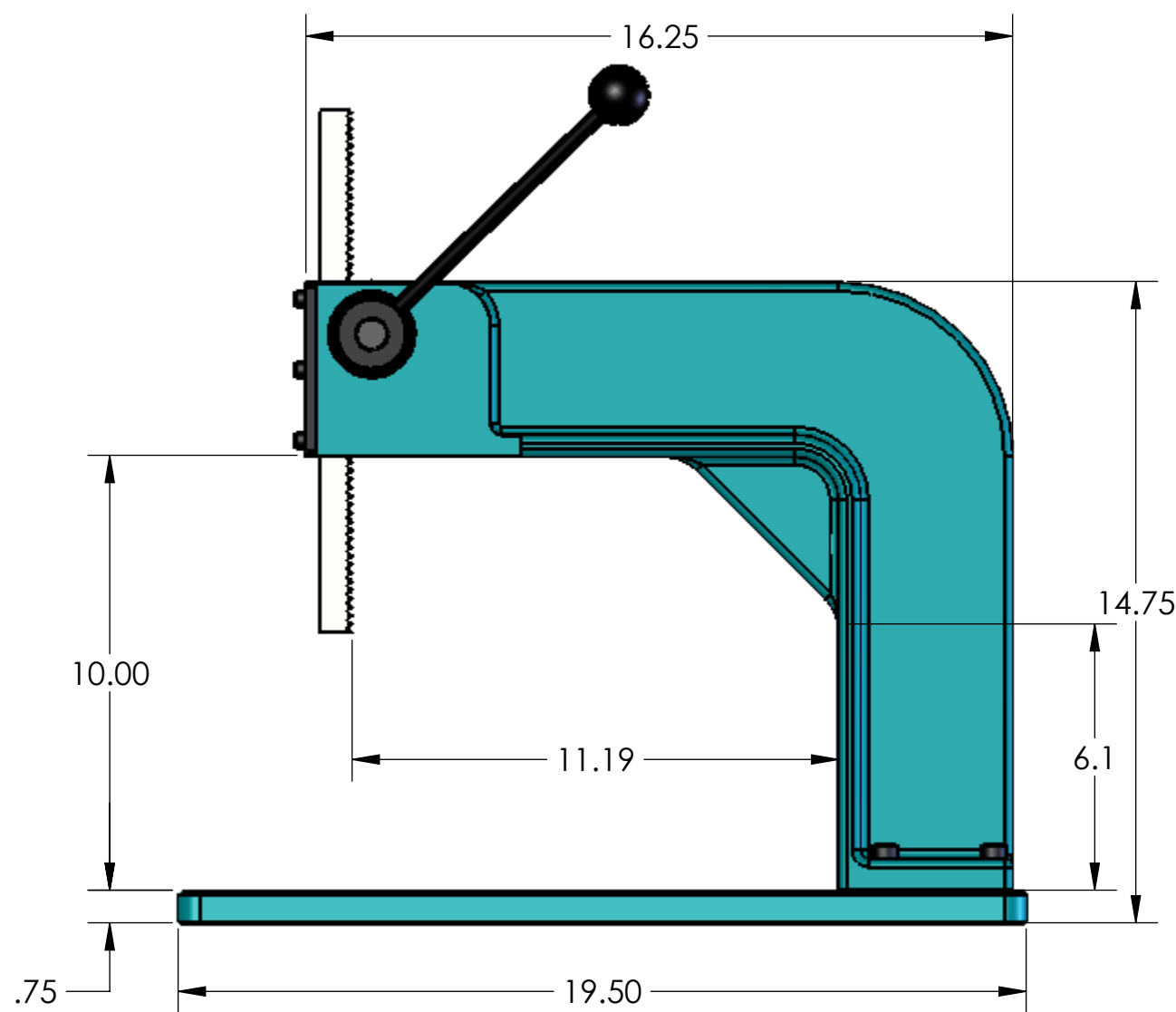
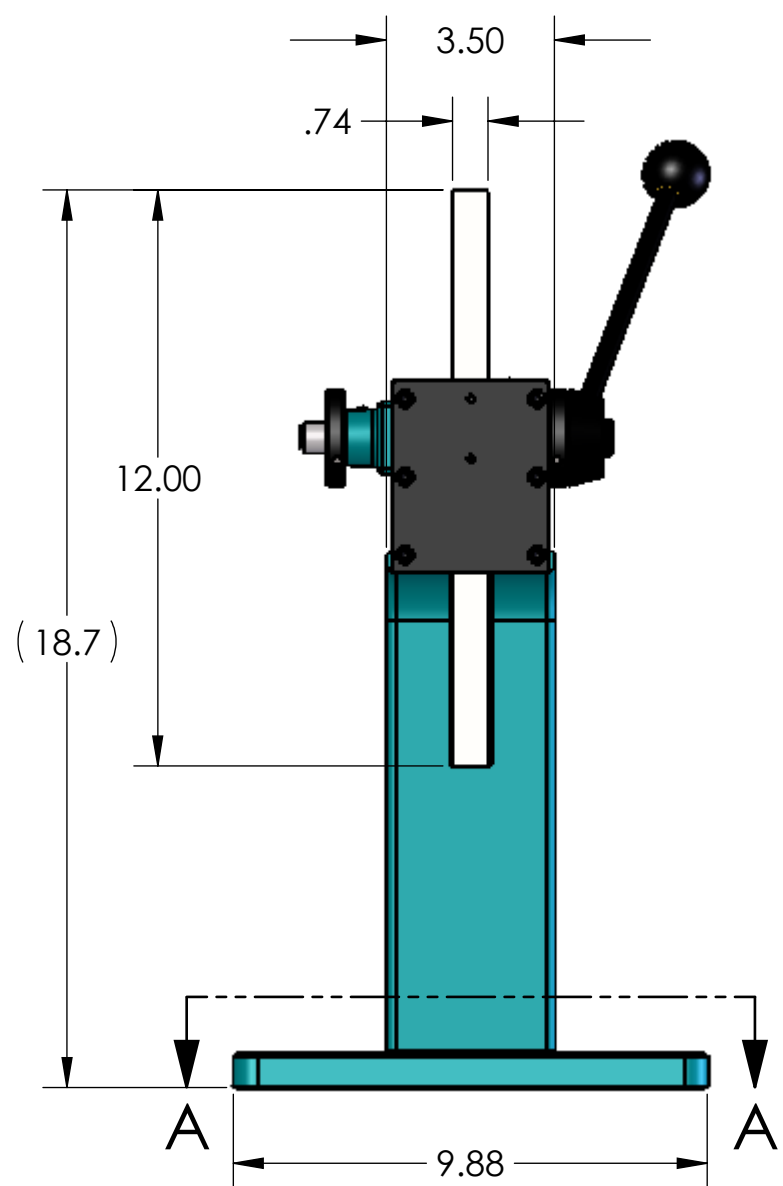
DT-6000-AH



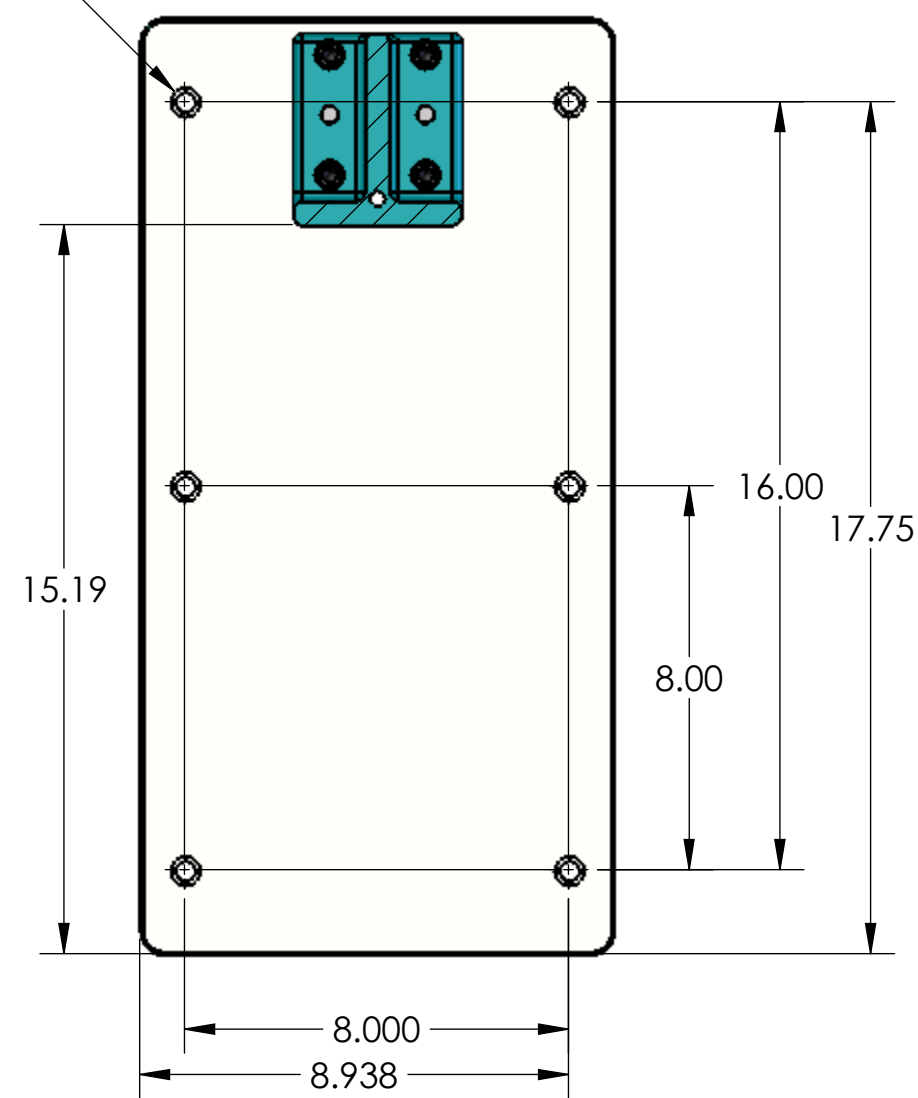
DT-6000-FS



DT-6000-AH-FS



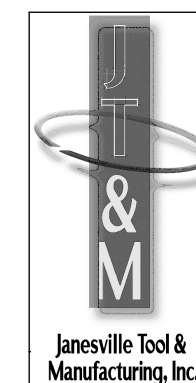
6X  $\phi$ .406 THRU  
 $\square$   $\phi$ .61  $\nabla$ .40



SECTION A-A  
 SCALE 1 : 4

NOTES:

1. AH MODELS ARE INDEXABLE @ 15° INCREMENTS
2.  $\phi$ .159  $\nabla$ .75 #10-32  $\nabla$ .50 HOLE ON BOTTOM OF RAM
3. ADJUSTABLE HEAD HEIGHT WITH ADDITION OF OPTIONAL RISER BLOCK
4. HANDLE IS  $\phi$ 3/8" X 6.0 LG



**Janesville Tool & Manufacturing Inc.**  
 3930 Enterprise Drive  
 Janesville, WI 53546  
 Phone: 608-314-1620, Fax 608-314-1625

TITLE:  
 DT-6000 PRESS ASSEMBLY

SIZE	DWG. NO.	REV
<b>C</b>	<b>DT-6000-AH</b>	

SCALE: 1:8	WEIGHT: 77.72	SHEET 1 OF 1
------------	---------------	--------------