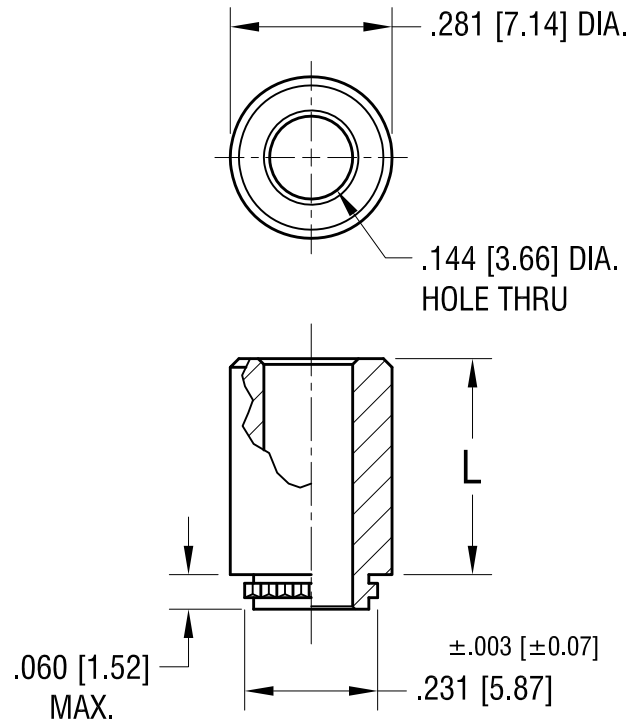


THIS DOCUMENT IS THE PROPERTY OF  
KEYSTONE ELECTRONICS CORP. AND  
SHALL NOT BE REPRODUCED, DISTRIBUTED  
OR USED AS A BASIS FOR MANUFACTURE  
WITHOUT PRIOR WRITTEN PERMISSION  
FROM KEYSTONE ELECTRONICS CORP.

**ACTUAL SIZE**



P/N 4858



PART NO.	'L' DIM.
4855	.065 [1.65]
4856	.125 [3.18]
4857	.250 [6.35]
4858	.375 [9.53]
4859	.500 [12.70]

NOTE:  
1. MTG HOLE: .213 [5.4]

DATE	DESCRIPTION	REV.
11.22.21	CHANGE AS PER ECN 21-151	B
12.19.05	CHANGE AS PER ECN 05-084	A

<b>KEYSTONE ELECTRONICS CORP.</b>			
www.keyelco.com • NEW HYDE PARK NY 11040 • Tel (516)328-7500			
PART NAME <b>FORCE-FIT STANDOFF, CLEAR HOLE</b>			
MATERIAL <b>STAINLESS STEEL</b>			
FINISH <b>NONE</b>		DRN BY <b>BOONE</b>	DATE <b>4.22.96</b>
		APP'D <b>RH</b>	SCALE <b>3X</b>
TOLERANCES INCH [MM] DECIMAL $\pm .005$ [ $\pm 0.13$ ] ANGULAR $\pm 1^\circ$ UNLESS OTHERWISE SPECIFIED	CODE <b>C</b>	DWG NO. <b>4855 - 4859</b>	