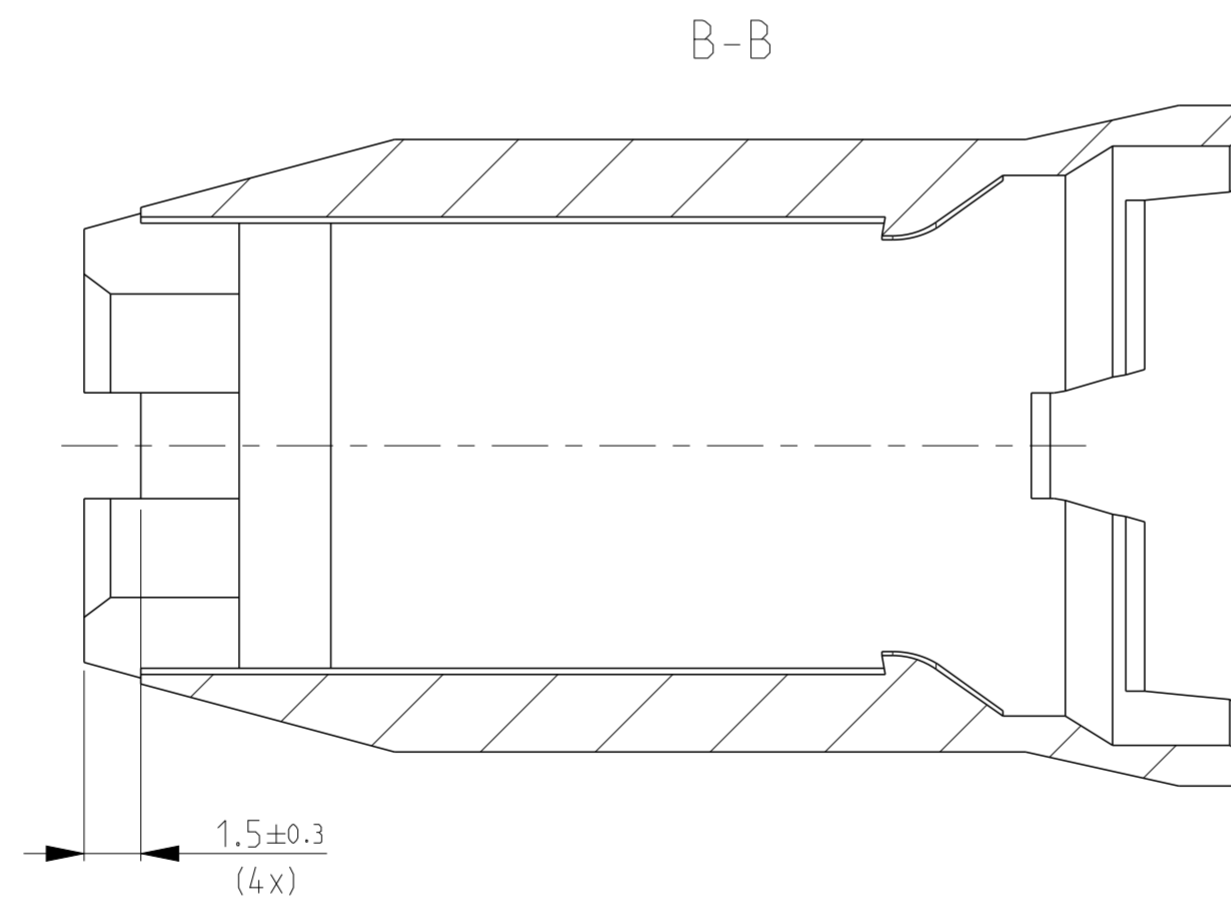
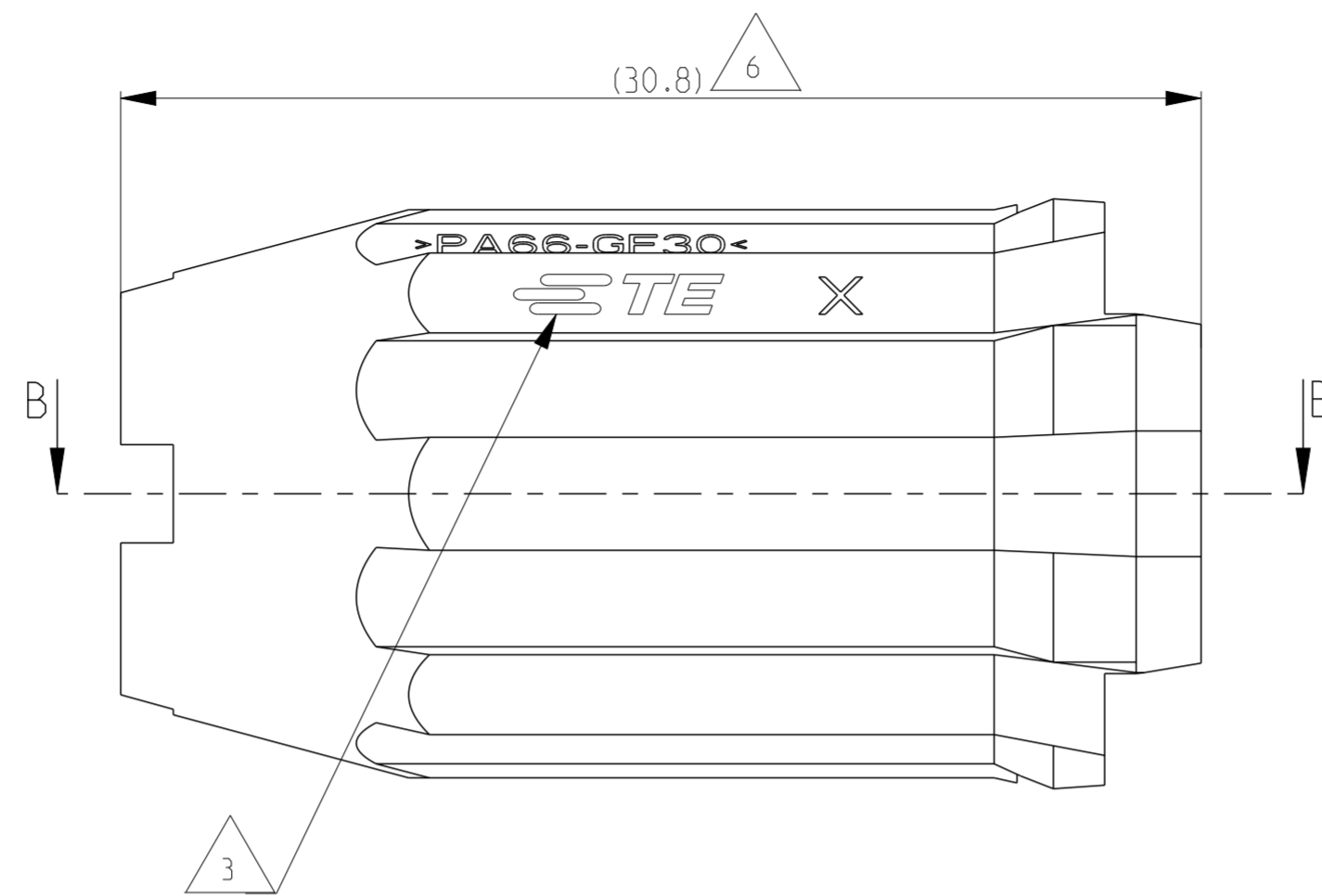
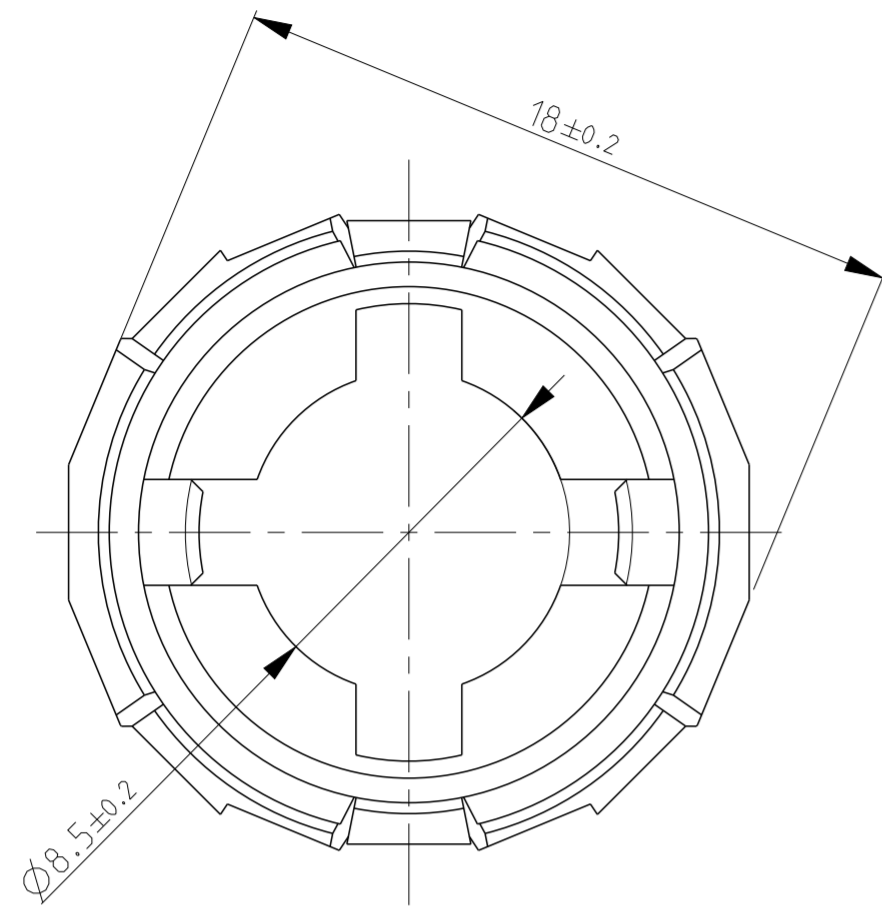
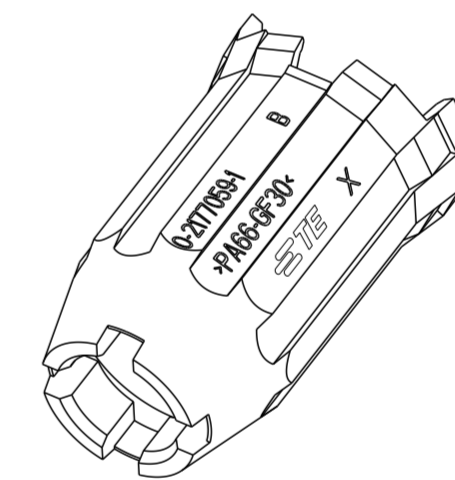


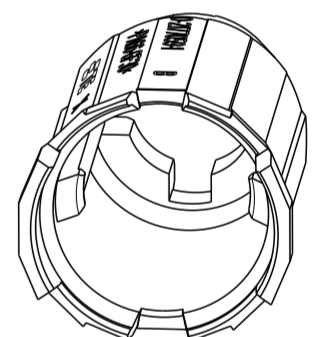
REVISIONS					
P	LTR	DESCRIPTION	DATE	DWN	APVD
C1		New dash variant added to table	13SEP2018	VS	TS
C2		Note 6 added	20JAN2020	SK	TS
C3		Master batch modified	30Mar2020	SK	TS
C4		Updated Matl. MB and Prod. Spec. in the tables	05MAY2022	JJH	MH



- 1 ONLY THE GERMAN LANGUAGE IS AUTHORITATIVE
Massgebend ist der deutsche Text
- 2 PACKAGING: BULK PACKAGING IN PLASTIC BAG AND SHIPPING BOX
Verpackung: Schuettgut in Folienbeutel und Versandkarton
- △3 SUPPLIER-MARK
Lieferanten Kennzeichnung
- △6 PRODUCTION DATE ACC. TO TE SPEC. 115-20010 " SYSTEM B"
Produktionsdatum nach TE Spez. 115-20010 " System B"

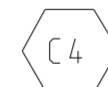
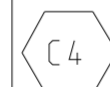


2:1



2:1

NOTE Bem.	FEATURE Merkmal
△4	PRODUCT-SPEC. 108-94297 Produkt-Spez.
△5	APPLICATION-SPEC. 114-94130 Verarbeitungs-Spez.

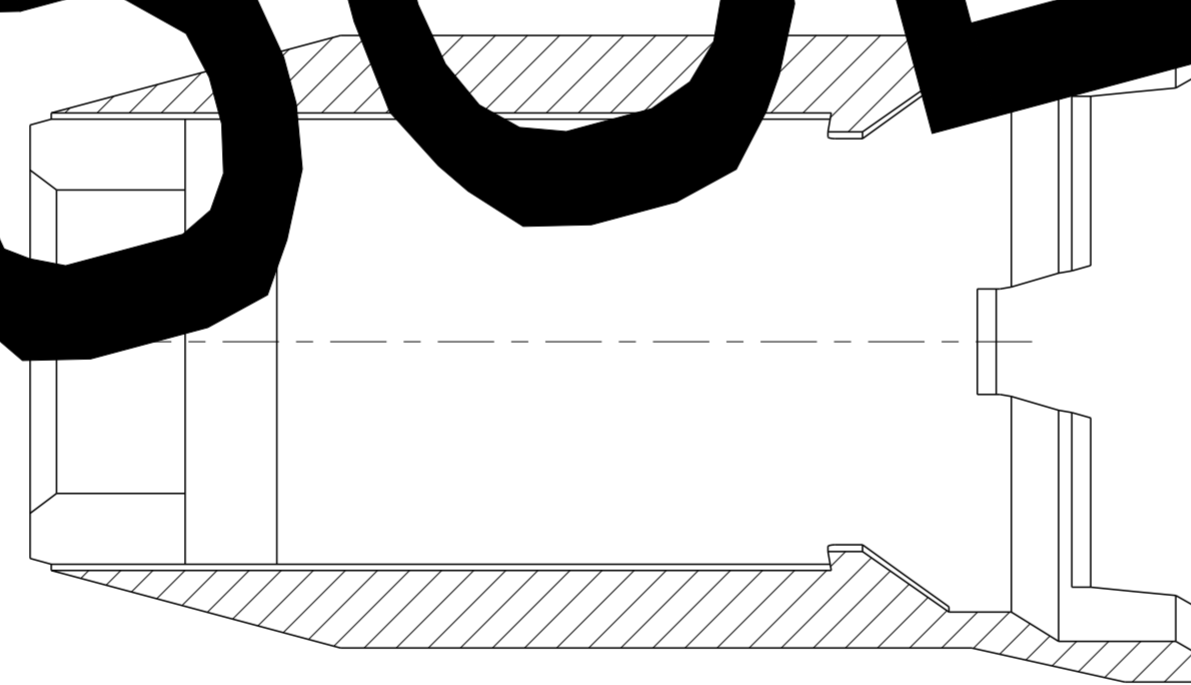
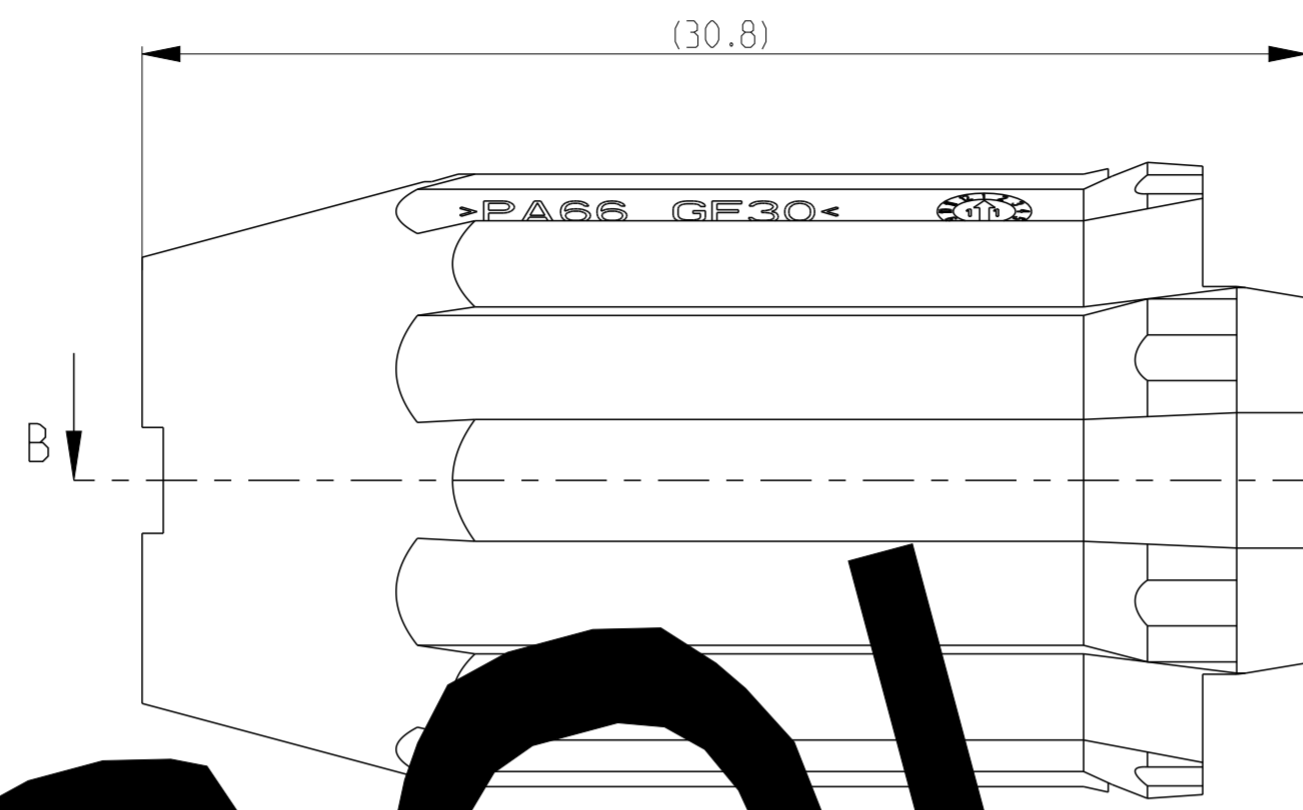
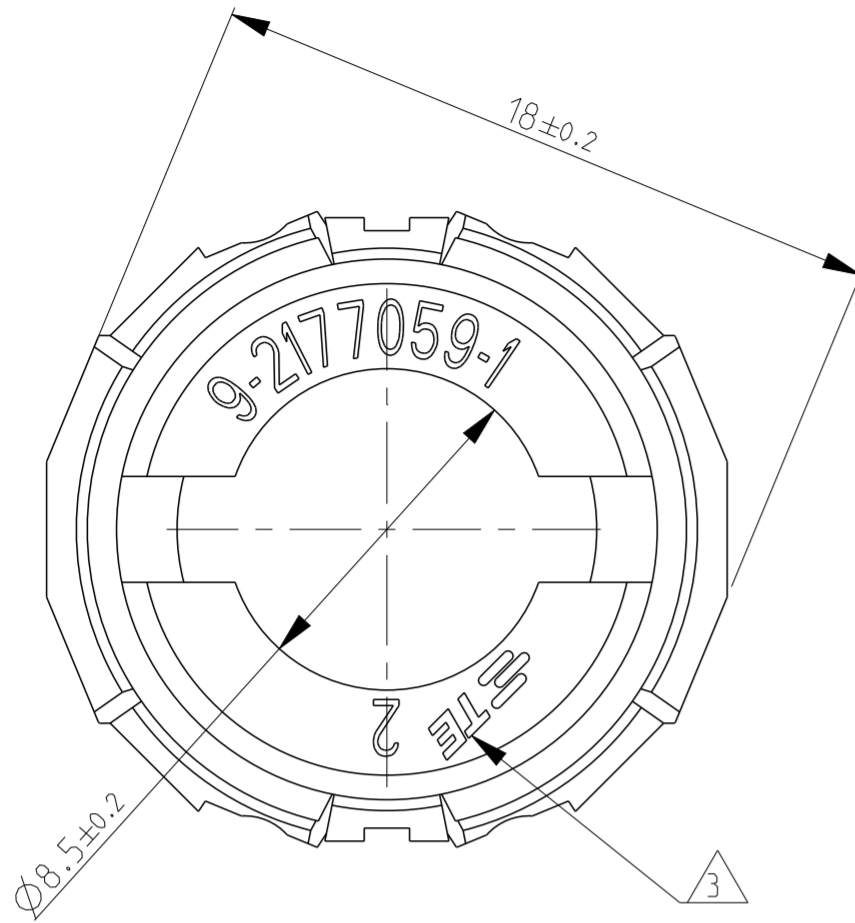


TE-PART-NO.	DESCRIPTION	MATERIAL	VOLUME [cm ³]	DENSITY [g/cm ³]	WEIGHT [g]	COLOUR	TOOL
5-2177059-1	FINGER PROT CAP 8MM HV.180 DEG Fingerschutzkappe 8mm HV. 180 Grad	PA66-GF30 PN 2136618-1 W. 2.5% - 4% BATCH PN 2136234-7	1.254	1.36	1.7	DUSTY GREY SIMILLAR TO RAL 7037	SERIAL-TOOL Serien-Werkzeug
2177059-1	FINGER PROT CAP 8MM HV.180 DEG Fingerschutzkappe 8mm HV. 180 Grad	PA66-GF30 PN 2-703555-6 ALTERNATIVE PN 2411748-1 W. 2.5% - 4% BATCH PN 2136234-7	1.254	1.36	1.7	ORANGE SIMILLAR TO RAL 2003	SERIAL-TOOL Serien-Werkzeug

THIS DRAWING IS A CONTROLLED DOCUMENT. DIMENSIONING AND TOLERANCING PER GPS (ISO STANDARDS)		DWN I. Salman 18MAY2011	 TE Connectivity
DIMENSIONS: mm		CHK U. Hoepfner 19MAY2011	
TOLERANCES UNLESS OTHERWISE SPECIFIED:		APVD D. H. Yu 19MAY2011	
0 PLC ± DIN ISO 1 PLC ± 2768 2 PLC ± - mK 3 PLC ± 4 PLC ± ANGLES ±		NAME FINGER PROT CAP 8MM HV, 180 DEG Fingerschutzkappe 8mm HV, 180 Grad	
MATERIAL SEE TABLE	FINISH SEE TABLE	WEIGHT SEE TABLE	SIZE A2
CUSTOMER DRAWING		SCALE 5:1	SHEET 1 OF 2

-1 AS SHOWN
wie gezeichnet

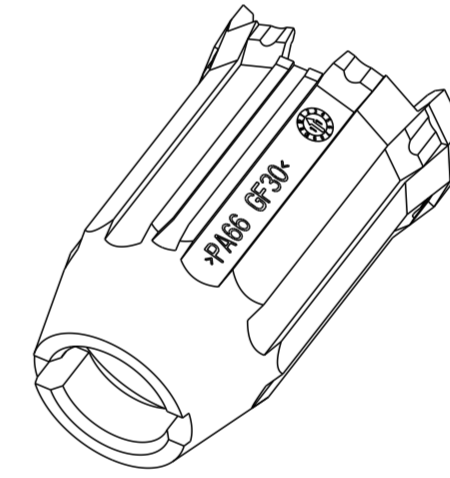
P	LTR	DESCRIPTION	DATE	DWN	APVD
-	-	SEE SHEET 1	-	-	-
-	-		-	-	-
-	-		-	-	-



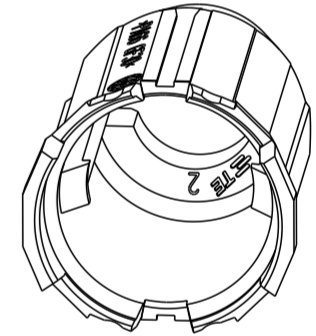
B-B

NOTES:

- Bemerkungen:
- 1 GERMAN LANGUAGE IS AUTHORITY. Maßangaben sind der deutschen Text.
- 2 PACKAGING BULK PACKAGING BAG AND SHIPPING BOX. Verpackung Schutzgut in Beutel und Versandkarton.
- 3 SUPPLIER'S DRAWING. Lieferantenszeichnung.



2:1



2:1

OBSOLETE!

NOTE Bem.	FEATURE Merkmal
4	PRODUCT-SPEC. 108-94297 Produkt-Spez.
5	APPLICATION-SPEC. 114-94130 Verarbeitungs-Spez.

9- -1 AS SHOWN
wie gezeichnet

TE-PART-NO.	DESCRIPTION	MATERIAL	VOLUME [cm ³]	DENSITY [g/cm ³]	WEIGHT [g]	COLOUR	TOOL
9-2177059-1	FINGER PROT CAP 8MM HV, 180 DEG Fingerschutzkappe 8mm HV, 180 Grad	PA66-GF30 PN 0-0702281-1 W. 2.5% - 4% BATCH PN 0-1573806-1	1.285	1.36	1.75	ORANGE RAL 2003	LOW-VOLUME-TOOL Kleinserien-Werkzeug

THIS DRAWING IS A CONTROLLED DOCUMENT. DIMENSIONING AND TOLERANCING PER GPS (ISO STANDARDS)		DWN I.Salman 18MAY2011	TE Connectivity	
DIMENSIONS: mm		CHK U.Hoepfner 19MAY2011		
TOLERANCES UNLESS OTHERWISE SPECIFIED:		APVD D.H.Vu 19MAY2011	NAME FINGER PROT CAP 8MM HV, 180 DEG Fingerschutzkappe 8mm HV, 180 Grad	
0 PLC ±		PRODUCT SPEC	SIZE	
1 PLC ± DIN ISO		APPLICATION SPEC	CAGE CODE	
2 PLC ± 2768			DRAWING NO	
3 PLC ± - mK			RESTRICTED TO	
4 PLC ±			SCALE	
ANGLES ±		WEIGHT	SHEET	
FINISH		SEE TABLE	2 OF 2	
MATERIAL		SEE TABLE	REV	
SEE TABLE		CUSTOMER DRAWING	C 4	