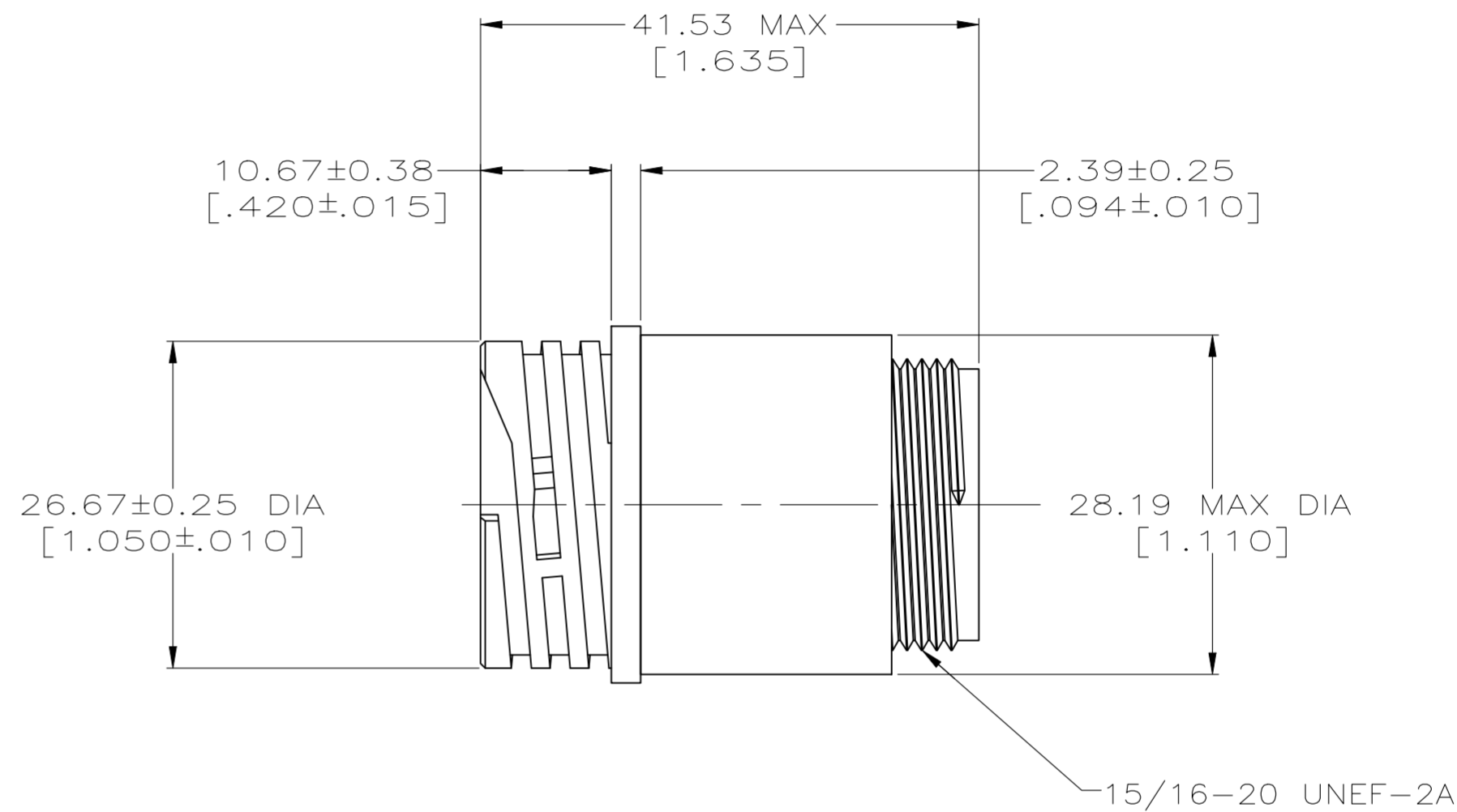
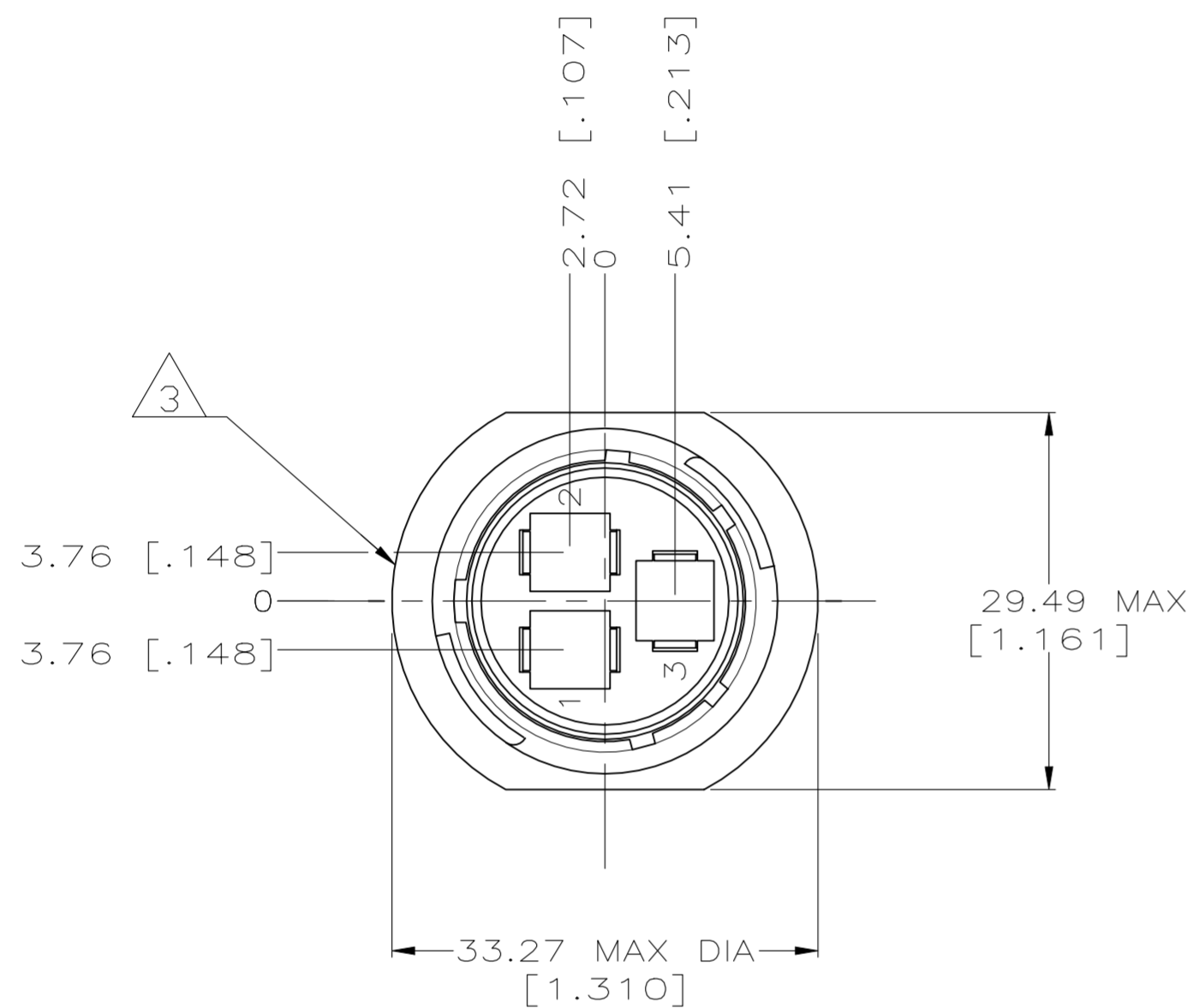


REVISIONS					
P	LTR	DESCRIPTION	DATE	DWN	APVD
H		ECO-21-006944	12OCT2021	RK	MZ



- 1. CAVITY IDENTIFICATION ON FRONT AND REAR FACE.
- 2. WILL ACCEPT THREE (3) TYPE XII PIN CONTACTS.
- 3. TE LOGO AND PART NUMBER LOCATED ON ANY FLANGE EDGE

206207-1
PART NO

THIS DRAWING IS A CONTROLLED DOCUMENT.		DWN D.HARDY 06/01/94	TE Connectivity																					
DIMENSIONS: mm[INCHES]		CHK W.G.LENKER 06/08/94																						
TOLERANCES UNLESS OTHERWISE SPECIFIED:		APVD A.FRANTUM 07/13/94	NAME RCPT HSG, STANDARD SEX, SHELL SIZE 17, CPC																					
<table border="1"> <tr><td>0 PLC</td><td>±</td><td>-</td></tr> <tr><td>1 PLC</td><td>±</td><td>-</td></tr> <tr><td>2 PLC</td><td>±</td><td>0.13 [.005]</td></tr> <tr><td>3 PLC</td><td>±</td><td>-</td></tr> <tr><td>4 PLC</td><td>±</td><td>-</td></tr> <tr><td>ANGLES</td><td>±</td><td>-</td></tr> </table>		0 PLC	±	-	1 PLC	±	-	2 PLC	±	0.13 [.005]	3 PLC	±	-	4 PLC	±	-	ANGLES	±	-	PRODUCT SPEC -	SIZE A2	CAGE CODE 00779	DRAWING NO C=206207	RESTRICTED TO -
0 PLC	±	-																						
1 PLC	±	-																						
2 PLC	±	0.13 [.005]																						
3 PLC	±	-																						
4 PLC	±	-																						
ANGLES	±	-																						
MATERIAL NYLON, BLACK	FINISH -	WEIGHT -	SCALE 2:1	SHEET 1 of 1	REV H																			
CUSTOMER DRAWING																								