

PART No. MATRIX

E 2 6 E 0 6 0 2 1 M X X X X

E=ETHERNET/
Ethernet

HEADS:
2 = M12 x Coding
6 = RJ45

HEADS STYLE:
060 = MALE STR / MALE STR

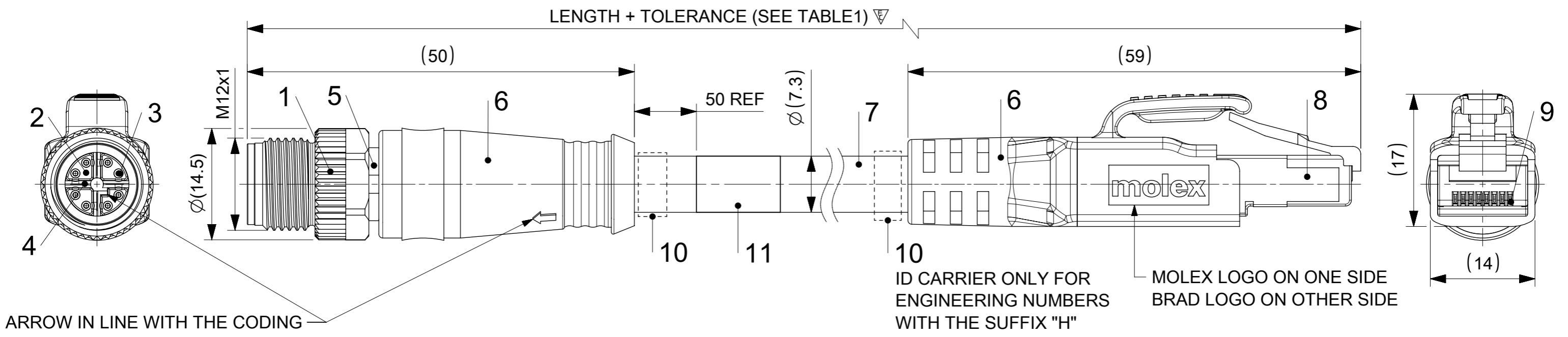
WIRING TYPE:
E=8 Pole (STRAIGHT WIRED)

CABLE TYPE :
CABLE 21

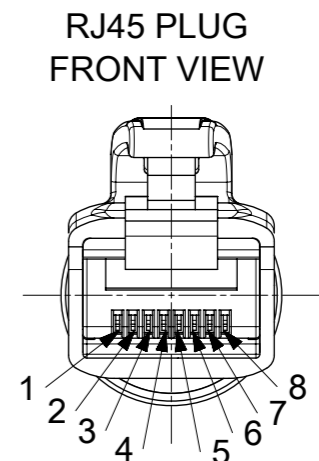
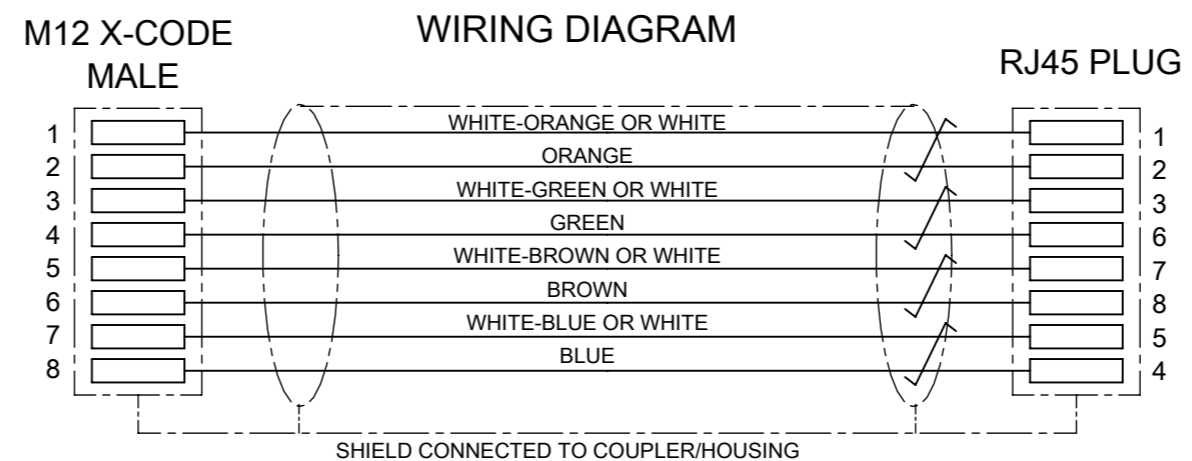
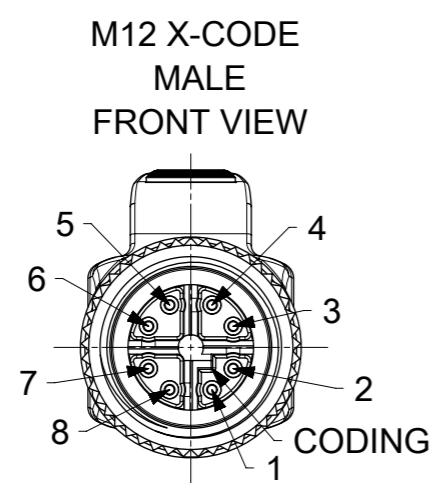
UNITS:
M= METER
T= 10xMETER

LENGTH EXAMPLES:
005=0.5 m
010=1 m
150=15 m
T100=100 m

H= 2 PCS. OF I/D Carrier

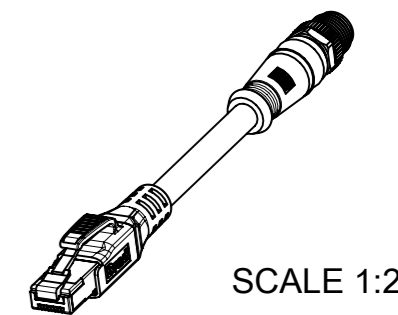


ARROW IN LINE WITH THE CODING
BRAD LOGO ON OTHER SIDE



BILL OF MATERIAL

ITEM	QTY	DESCRIPTION	MATERIAL	FINISH/COLOR
1	1	COUPLING NUT	BRASS	Ni PLATED
2	1	INSERT	PA	BLACK
3	8	CONTACT M12 XC MALE	BRASS	Au PLATED
4	1	SHIELDING CROSS	Zn DIE-CAST	-
5	1	SHIELDING SHELL	BRASS	Ni PLATED
6	-	OVERMOULD	TPU	BLACK
7	1	CABLE 4X(2X AWG26/7) CAT 7	TPE	GREEN
8	1	PLUG RJ45	-	-
9	8	CONTACT RJ45	PHOSPHOR BRONZE	SELECTIVE Au PLATED
10	SEE PN MATRIX	ID CARRIER	PVC	TRANSPARENT
11	1	LABEL 2.0X1.75	VINYL	YELLOW




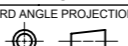
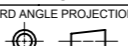
FUNCTIONAL SYMBOLS	THIS DRAWING CONTAINS INFORMATION THAT IS PROPRIETARY TO MOLEX ELECTRONIC TECHNOLOGIES, LLC AND SHOULD NOT BE USED WITHOUT WRITTEN PERMISSION	CURRENT REV DESC: NOTE CHANGED		molex															
	<table border="1"> <tr> <th>DIMENSION UNITS</th> <th>SCALE</th> </tr> <tr> <td>mm</td> <td>2:1</td> </tr> </table> <p>GENERAL TOLERANCES (UNLESS SPECIFIED)</p> <p>ANGULAR TOL ± 1.0°</p> <p>4 PLACES ±</p> <p>3 PLACES ±</p> <p>2 PLACES ± 0.05</p> <p>1 PLACE ± 0.3</p> <p>0 PLACES ± 0.5</p>	DIMENSION UNITS	SCALE			mm	2:1	<p>EC NO: 692351</p> <p>DRWN: ARPITT 2022/01/19</p> <p>CHK'D: RSILLER 2022/01/25</p> <p>APPR: RSILLER 2022/01/25</p> <p>INITIAL REVISION:</p> <p>DRWN: RSCHEBER 2019/05/14</p> <p>APPR: RSILLER 2021/03/16</p>		<p>CSE M12 CAT6A RJ45 8P MA STR TPE XM SHLD</p> <p>PRODUCT CUSTOMER DRAWING</p>									
DIMENSION UNITS	SCALE																		
mm	2:1																		
DIVISIONAL SYMBOLS	<table border="1"> <tr> <th>DRAFT WHERE APPLICABLE MUST REMAIN WITHIN DIMENSIONS</th> <th>THIRD ANGLE PROJECTION</th> <th>DRAWING</th> <th>SERIES</th> <th>MATERIAL NUMBER</th> <th>CUSTOMER</th> <th>SHEET NUMBER</th> </tr> <tr> <td></td> <td></td> <td>A3-SIZE</td> <td>120341</td> <td>SEE TABLE 1</td> <td>GENERAL MARKET</td> <td>1 OF 2</td> </tr> </table>	DRAFT WHERE APPLICABLE MUST REMAIN WITHIN DIMENSIONS	THIRD ANGLE PROJECTION	DRAWING	SERIES	MATERIAL NUMBER	CUSTOMER	SHEET NUMBER			A3-SIZE	120341	SEE TABLE 1	GENERAL MARKET	1 OF 2	<p>DOCUMENT NUMBER: 1203410874</p> <p>DOC TYPE: PSD</p> <p>DOC PART: 000</p> <p>REVISION: A3</p>			
DRAFT WHERE APPLICABLE MUST REMAIN WITHIN DIMENSIONS	THIRD ANGLE PROJECTION	DRAWING	SERIES	MATERIAL NUMBER	CUSTOMER	SHEET NUMBER													
		A3-SIZE	120341	SEE TABLE 1	GENERAL MARKET	1 OF 2													

TABLE 1

MOLEX P/N	ENGINEERING NO.	DESCRIPTION	LENGTH
1203410874	E26E06021M005	M12 CAT6A M/RJ45 ST/ST TPE GREEN	500
1203410875	E26E06021M010	M12 CAT6A M/RJ45 ST/ST TPE GREEN	1000
1203410876	E26E06021M020	M12 CAT6A M/RJ45 ST/ST TPE GREEN	2000
1203410877	E26E06021M030	M12 CAT6A M/RJ45 ST/ST TPE GREEN	3000
1203410878	E26E06021M040	M12 CAT6A M/RJ45 ST/ST TPE GREEN	4000
1203410879	E26E06021M050	M12 CAT6A M/RJ45 ST/ST TPE GREEN	5000
1203410880	E26E06021M060	M12 CAT6A M/RJ45 ST/ST TPE GREEN	6000
1203410897	E26E06021M070	M12 CAT6A M/RJ45 ST/ST TPE GREEN	7000
1203410881	E26E06021M080	M12 CAT6A M/RJ45 ST/ST TPE GREEN	8000
1203410898	E26E06021M090	M12 CAT6A M/RJ45 ST/ST TPE GREEN	9000
1203410882	E26E06021M100	M12 CAT6A M/RJ45 ST/ST TPE GREEN	10000
1203410883	E26E06021M150	M12 CAT6A M/RJ45 ST/ST TPE GREEN	15000
1203410884	E26E06021M200	M12 CAT6A M/RJ45 ST/ST TPE GREEN	20000
WITH ID CARRIER			
1203411039	E26E06021M010H	M12 CAT6A M/RJ45 ST/ST TPE GREEN ID	1000
1203411040	E26E06021M020H	M12 CAT6A M/RJ45 ST/ST TPE GREEN ID	2000
1203411041	E26E06021M030H	M12 CAT6A M/RJ45 ST/ST TPE GREEN ID	3000
1203411042	E26E06021M040H	M12 CAT6A M/RJ45 ST/ST TPE GREEN ID	4000
1203411043	E26E06021M050H	M12 CAT6A M/RJ45 ST/ST TPE GREEN ID	5000
1203411095	E26E06021M060H	M12 CAT6A M/RJ45 ST/ST TPE GREEN ID	6000
1203411097	E26E06021M080H	M12 CAT6A M/RJ45 ST/ST TPE GREEN ID	8000
1203411096	E26E06021M070H	M12 CAT6A M/RJ45 ST/ST TPE GREEN ID	7000
1203411004	E26E06021M100H	M12 CAT6A M/RJ45 ST/ST TPE GREEN ID	10000
1203411098	E26E06021M120H	M12 CAT6A M/RJ45 ST/ST TPE GREEN ID	12000
1203411005	E26E06021M150H	M12 CAT6A M/RJ45 ST/ST TPE GREEN ID	15000
1203411044	E26E06021M200H	M12 CAT6A M/RJ45 ST/ST TPE GREEN ID	20000
1203411099	E26E06021M250H	M12 CAT6A M/RJ45 ST/ST TPE GREEN ID	25000
1203411045	E26E06021M300H	M12 CAT6A M/RJ45 ST/ST TPE GREEN ID	30000
1203411046	E26E06021M350H	M12 CAT6A M/RJ45 ST/ST TPE GREEN ID	35000
1203411047	E26E06021M400H	M12 CAT6A M/RJ45 ST/ST TPE GREEN ID	40000
1203410989	E26E06021M450H	M12 CAT6A M/RJ45 ST/ST TPE GREEN ID	45000
1203411048	E26E06021M500H	M12 CAT6A M/RJ45 ST/ST TPE GREEN ID	50000
1203411049	E26E06021M550H	M12 CAT6A M/RJ45 ST/ST TPE GREEN ID	55000
1203410990	E26E06021M600H	M12 CAT6A M/RJ45 ST/ST TPE GREEN ID	60000
1203410991	E26E06021M650H	M12 CAT6A M/RJ45 ST/ST TPE GREEN ID	65000
1203410992	E26E06021M700H	M12 CAT6A M/RJ45 ST/ST TPE GREEN ID	70000
1203411050	E26E06021M750H	M12 CAT6A M/RJ45 ST/ST TPE GREEN ID	75000
1203410993	E26E06021M800H	M12 CAT6A M/RJ45 ST/ST TPE GREEN ID	80000
1203410994	E26E06021M850H	M12 CAT6A M/RJ45 ST/ST TPE GREEN ID	85000

NOTES:
 VOLTAGE RATING: 30 V A.C. OR 42 V D.C.
 CURRENT RATING: 0.5 A
 TEMPERATURE RATING:
 STATIC: -40 °C TO 80 °C
 DYNAMIC: -25 °C TO 80 °C
 IP RATING:
 M12 SIDE IP 67 (IN MATED AND LOCKED CONDITION)
 RJ45 SIDE IP 20
 TRANSMISSION CHARACTERISTICS ACCORDING TO ISO/IEC 11801 CLASS E_A CHANNEL,
 WITH INSERTION LOSS BEING IGNORED FOR CABLE LENGTHS <1 m OR >65 m
 PACKAGING: CORDSETS ARE PACKED IN A POLYBAG

LENGTH	TOLERANCE
0 m - 1 m	+40 mm
>1 m - 5 m	+60 mm
>5 m - 10 m	+80 mm
>10 m - 20 m	+140 mm
>20 m - 30 m	+160 mm
>30 m	+1% length

FUNCTIONAL SYMBOLS	THIS DRAWING CONTAINS INFORMATION THAT IS PROPRIETARY TO MOLEX ELECTRONIC TECHNOLOGIES, LLC AND SHOULD NOT BE USED WITHOUT WRITTEN PERMISSION		CURRENT REV DESC: NOTE CHANGED	
$\nabla_A = 0$ $\nabla_B = 0$ $\nabla_C = 0$	DIMENSION UNITS mm	SCALE 1:1	 CSE M12 CAT6A RJ45 8P MA STR TPE XM SHLD	
DIVISIONAL SYMBOLS	GENERAL TOLERANCES (UNLESS SPECIFIED) ANGULAR TOL ± 1.0° 4 PLACES ± 3 PLACES ± 2 PLACES ± 0.05 1 PLACE ± 0.3 0 PLACES ± 0.5		EC NO: 692351 DRWN: ARPITT 2022/01/19 CHK'D: RSILLER 2022/01/25 APPR: RSILLER 2022/01/25	
	INITIAL REVISION: DRWN: RSCHEBER 2019/05/14 APPR: RSILLER 2021/03/16		PRODUCT CUSTOMER DRAWING DOCUMENT NUMBER: 1203410874 DOC TYPE: PSD DOC PART: 000 REVISION: A3	
	DRAFT WHERE APPLICABLE MUST REMAIN WITHIN DIMENSIONS 	THIRD ANGLE PROJECTION 	DRAWING: A3-SIZE SERIES: 120341	MATERIAL NUMBER: SEE TABLE 1 CUSTOMER: GENERAL MARKET SHEET NUMBER: 2 OF 2