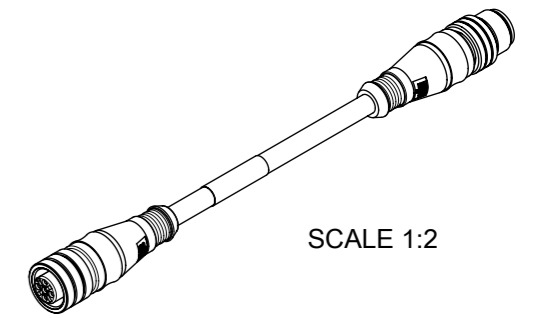


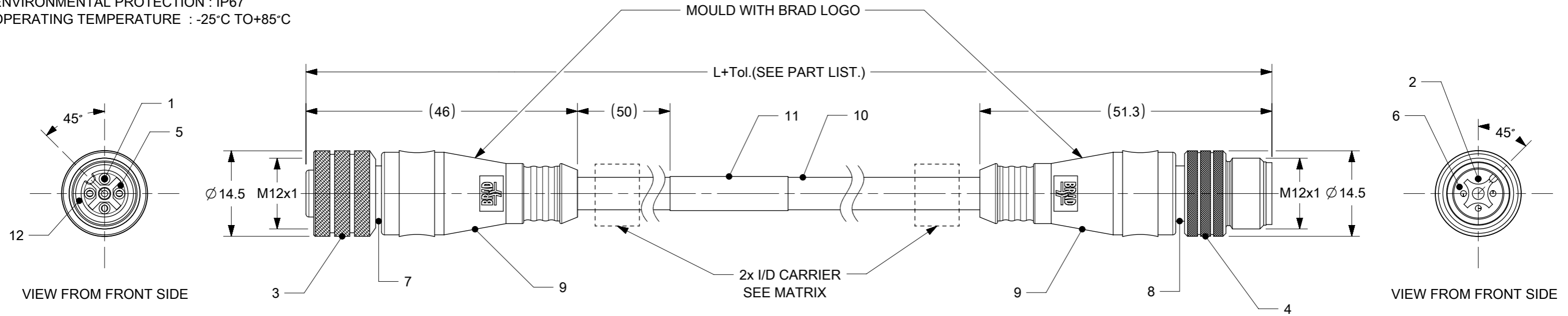
# FEMALE MICRO-CHANGE M12 STRAIGHT TO MALE MICRO-CHANGE M12 STRAIGHT

## ELECTRICAL SPECIFICATIONS :

VOLTAGE RATING : 3-4P = 250V  
 5P = 60V  
 8P = 30V  
 CURRENT RATING : 3-5P = 4 AMPS  
 8P = 2 AMPS  
 INSULATION RESISTANCE :  $10^8 \Omega$  MN  
 MATING CYCLES : MAX. 100  
 ENVIRONMENTAL PROTECTION : IP67  
 OPERATING TEMPERATURE : -25°C TO +85°C



SCALE 1:2



## CONTACTS POSITION FRONT VIEW:

	3 CONTACTS		4 CONTACTS		5 CONTACTS		8 CONTACTS	
FEMALE								
MALE								
CONNECTIONS	PIN	WIRE	PIN	WIRE	PIN	WIRE	PIN	WIRE
	1	BROWN	1	BROWN	1	BROWN	1	WHITE
	2	-	2	WHITE	2	WHITE	2	BROWN
	3	BLUE	3	BLUE	3	BLUE	3	GREEN
	4	BLACK	4	BLACK	4	BLACK	4	YELLOW
					5	GREY	5	GREY
							6	PINK
							7	BLUE
						8	RED	

CODING REQUIRED TO IEC 61076-2-101

## BOM

ITEM	QTY.	DESCRIPTION	MATERIAL	FINISH/COLOR
1	3/ 4 / 5 / 8	CONTACT FEMALE	BRASS	SELECTIVE GOLD OVER NICKEL
2	3/ 4 / 5 / 8	CONTACT MALE	BRASS	SELECTIVE GOLD OVER NICKEL
3	1	COUPLING NUT FEMALE	BRASS	Ni-PLATED
4	1	COUPLING NUT MALE	BRASS	Ni-PLATED
5	1	M12 INSERT FEMALE	PUR	BLACK
6	1	M12 INSERT MALE	PUR	BLACK
7	1	SLEEVE SHLD FEMALE	BRASS	Ni-PLATED
8	1	SLEEVE SHLD MALE	BRASS	Ni-PLATED
9	-	OVERMOULD	TPU	SEE MATRIX
10	-	CABLE	SEE MATRIX	SEE MATRIX
11	1	LABEL YELLOW	VINYL	-
12	1	O-RING	FPM	RED

SYMBOLS	THIS DRAWING CONTAINS INFORMATION THAT IS PROPRIETARY TO MOLEX ELECTRONIC TECHNOLOGIES, LLC AND SHOULD NOT BE USED WITHOUT WRITTEN PERMISSION	CURRENT REV DESC:			
	DIMENSION UNITS: mm SCALE: 2:1 GENERAL TOLERANCES (UNLESS SPECIFIED): ANGULAR TOL: ± 1.0° 4 PLACES: ± 3 PLACES: ± 2 PLACES: ± 0.05 1 PLACE: ± 0.3 0 PLACES: ± 0.5 DRAFT WHERE APPLICABLE MUST REMAIN WITHIN DIMENSIONS	EC NO: 630450 DRWN: SSM 2020/01/14 CHK'D: RSILLER 2020/01/14 APPR: RSILLER 2020/01/14 INITIAL REVISION: DRWN: RSTONE 2017/01/04 APPR: BWOODMAN 2017/01/18			MICRO-CHANGE ASSEMBLY MALE/FEMALE, SHIELDED 3-8 POLE PRODUCT CUSTOMER DRAWING
		DOCUMENT NUMBER	DOC TYPE	DOC PART	REVISION
		SD-120069-041	PSD	001	A3
		MATERIAL NUMBER	CUSTOMER	SHEET NUMBER	
		SEE SHEET 3	GENERAL MARKET	1 OF 3	

# ENGINEERING NO. - NUMERICAL CODE

8 8 X S 3 0 X X X M X X X X X

8 = M12  
MICRO  
CHANGE

8 = M12  
MICRO  
CHANGE

S30= Double-Ended Cordset  
Shielded Female Straight  
to Shielded Male Straight

Contacts:  
3=3 Contacts  
4=4 Contacts  
5=5 Contacts  
8=8 Contacts

Cable type:  
S20 - Yellow Braided PVC 0.34mm<sup>2</sup>(22AWG)  
P20 - Black Braided PUR 0.34mm<sup>2</sup>(22AWG)  
P19 - Black Braided PUR 0.25mm<sup>2</sup>(24AWG)  
S19 - Yellow Braided PVC 0.25mm<sup>2</sup>(24AWG)

Units:  
M=Meter  
F=Feet

Length  
Examples:  
020=0.5 METERS  
050=5 METERS  
200=20 METERS

Overmold color:  
Blank= PUR (Standard)  
A=Grey / G=Black / Y=Yellow  
BLANK = Yellow TPU for  
cables S19, S20

Coupling Nut Material :  
Blank : Standard  
1 = Stainless Steel  
5= Delrin  
7= Teflon Coated  
H= 2x ID Carrier

## CABLE INFORMATION :

CABLE TYPE	NO. OF WIRES	CROSS SECTION	CABLE JACKET	UL	CSA	STATIC: TEMP. / BENDING RADIUS	DYNAMIC: TEMP. / BENDING RADIUS	DRAG CHAIN	SHIELD
P19	8	0.25mm <sup>2</sup>	PUR BLACK	-	-	-40°C to +90°C, >7.5xO.D.	-15°C to +90°C, >12.5xO.D.	2 000 000 cycles, Velocity = 120m/min ; bending 15XO.D.	YES
P20	3/4/5	0.34mm <sup>2</sup>	PUR BLACK LSOH	-	-	-40°C to +90°C	-25°C to +90°C	-	YES
S19	8	0.25mm <sup>2</sup>	PVC YELLOW	UL 2661	CSA C22.2	-30°C to +105°C, 10xO.D.	-15°C to +105°C, 15xO.D.	2 000 000 cycles , speed =4m/sec	YES
S20	3/4/5	0.34mm <sup>2</sup>	PVC YELLOW	UL 2661	1731-CSA	-30°C to +105°C	-40°C to +105°C	-	YES

## CABLE LENGTH TOLERANCES

OVER [mm]	UP TO AND INCLUDING [mm]	TOLERANCES [mm]
0	305	+19
305	915	+45
915	1830	+56
1830	3660	+89
3660	7320	+165
7320	14640	+317
14640	30500	+610
30500	>	+2% of finished length

SYMBOLS	THIS DRAWING CONTAINS INFORMATION THAT IS PROPRIETARY TO MOLEX ELECTRONIC TECHNOLOGIES, LLC AND SHOULD NOT BE USED WITHOUT WRITTEN PERMISSION		CURRENT REV DESC:		<b>molex</b>			
▽ = 0	DIMENSION UNITS	SCALE	EC NO: 630450 DRWN: SSM 2020/01/14 CHK'D: RSILLER 2020/01/14 APPR: RSILLER 2020/01/14		MICRO-CHANGE ASSEMBLY MALE/FEMALE, SHIELDED 3-8 POLE			
▽ = 0	mm	1:1						
▽ = 0	GENERAL TOLERANCES (UNLESS SPECIFIED)				PRODUCT CUSTOMER DRAWING			
▽ = 0	ANGULAR TOL ± 1.0°							
▽ = 0	4 PLACES	±	INITIAL REVISION: DRWN: RSTONE 2017/01/04 APPR: BWOODMAN 2017/01/18		DOCUMENT NUMBER	DOC TYPE	DOC PART	REVISION
▽ = 0	3 PLACES	±			SD-120069-041	PSD	001	A3
▽ = 0	2 PLACES	± 0.05			MATERIAL NUMBER	CUSTOMER	SHEET NUMBER	
▽ = 0	1 PLACE	± 0.3	THIRD ANGLE PROJECTION	DRAWING	SERIES	SEE SHEET 3		
▽ = 0	0 PLACES	± 0.5	DRAFT WHERE APPLICABLE MUST REMAIN WITHIN DIMENSIONS	A3-SIZE	120069	GENERAL MARKET	2 OF 3	

# PART LIST

No..	MOLEX PN	ENGINEERING NO.	LENGTH
1	1200695045	883S30P20M010	1m
2	1200698146	883S30P20M030	3m
3	1200698080	883S30P20M050	5m
4	1200698035	884S30P20M010	1m
5	1200698036	884S30P20M050	5m
6	1200698128	884S30P20M100	10m
7	1200698129	884S30P20M150	15m
8	1200695054	885S30P20M003	0.3m
9	1200699582	885S30P20M006H	0.6m
10	1200698395	885S30P20M010	1m
11	1200698728	885S30P20M0101	1m
12	1200699583	885S30P20M010H	1m
13	1200698342	885S30P20M015	1.5m
14	1200698039	885S30P20M020	2m
15	1200699584	885S30P20M020H	2m
16	1200698448	885S30P20M030	3m
17	1200699585	885S30P20M030H	3m
18	1200698040	885S30P20M050	5m
19	1200699586	885S30P20M050H	5m
20	1200698544	885S30P20M060	6m
21	1200699587	885S30P20M060H	6m
22	1200695053	885S30P20M100	10m
23	1200699588	885S30P20M100H	10m
24	1200698590	885S30P20M120	12m
25	1200698729	885S30P20M1501	15m
26	1200699589	885S30P20M150H	15m
27	1200699590	885S30P20M200H	20m
28	1200698140	885S30P20M250	25m
29	1200699591	885S30P20M300H	30m
30	1200699592	885S30P20M350H	35m

NO.	MOLEX PN	ENGINEERING NO.	LENGTH
32	1200698041	888S30P19M003	0.3m
33	1200698111	888S30P19M010	1m
34	1200690211	888S30P19M020	2m
35	1200698042	888S30P19M030	3m
36	1200100233	888S30P19M050	5m
37	1200698349	888S30P19M065	6.5m
38	1200695005	888S30P19M100	10m
39	1200695011	888S30P19M250	25m
40	1200698032	883S30S20M020	2m
41	1200100128	883S30S20M050	5m
42	1200100203	884S30S20M100	10m
43	1200698343	885S30S20M015	1.5m
44	1200698091	888S30S19M010	1m
45	1200698341	888S30S19M030	3m
46	1200698344	888S30S19M065	6.5m
47	1200699605	885S30P20M070	7m
48	1200699606	885S30P20M055	5.5m
49	1200699703	885S30P20M090	9m

SYMBOLS	THIS DRAWING CONTAINS INFORMATION THAT IS PROPRIETARY TO MOLEX ELECTRONIC TECHNOLOGIES, LLC AND SHOULD NOT BE USED WITHOUT WRITTEN PERMISSION				
	DIMENSION UNITS	SCALE	CURRENT REV DESC:		
= 0	mm	1:1	<p><b>molex</b></p> <p>MICRO-CHANGE ASSEMBLY MALE/FEMALE, SHIELDED 3-8 POLE</p> <p>PRODUCT CUSTOMER DRAWING</p> <p>DOCUMENT NUMBER: <b>SD-120069-041</b>    DOC TYPE: PSD    DOC PART: 001    REVISION: A3</p>		
= 0	GENERAL TOLERANCES (UNLESS SPECIFIED)				
= 0	ANGULAR TOL ± 1.0°				
= 0	4 PLACES	±			
= 0	3 PLACES	±			
= 0	2 PLACES	± 0.05			
= 0	1 PLACE	± 0.3			
= 0	0 PLACES	± 0.5			
= 0	DRAFT WHERE APPLICABLE MUST REMAIN WITHIN DIMENSIONS				
= 0	THIRD ANGLE PROJECTION	DRAWING			
	SERIES	MATERIAL NUMBER	CUSTOMER	SHEET NUMBER	
	A4-SIZE	120069	SEE PART LIST	GENERAL MARKET	3 OF 3

DOCUMENT STATUS	P1	RELEASE DATE	2020/01/14	08:55:14
-----------------	----	--------------	------------	----------