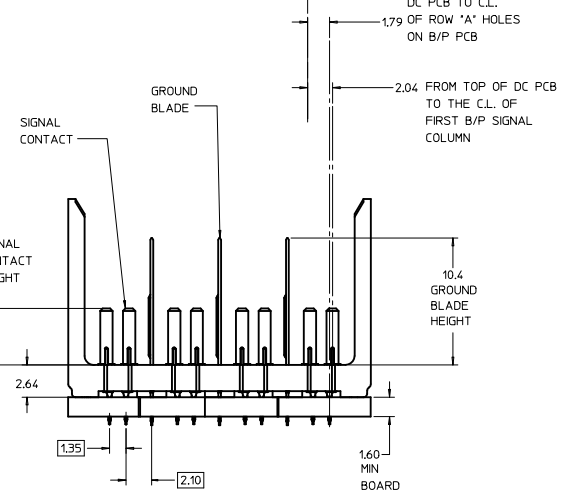
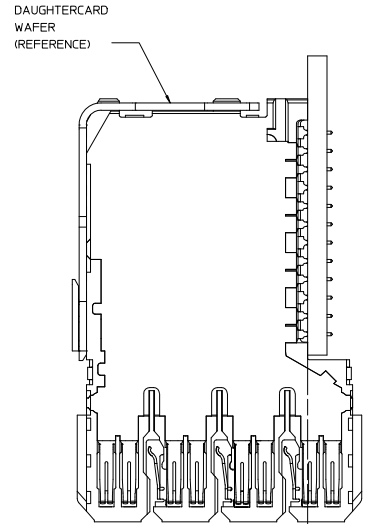
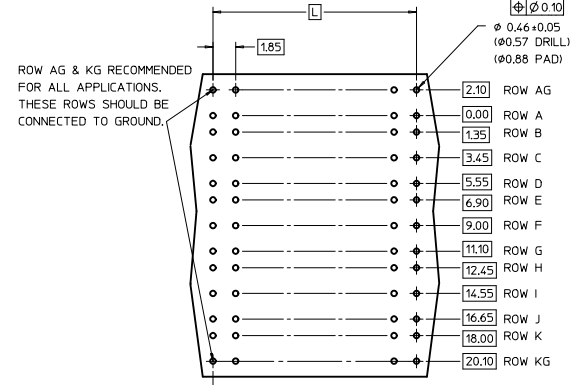


MODULE ORIENTATION OPEN = 0		PIN LENGTH DIM "M"		GOLD (Au) THICKNESS micrometers	
COLUMN	KEYING ORIENTATION	0=3.55 mm	0.25		
1 = 10 COL	0 = OPEN	1=4.55 mm	0.76		
2 = 25 COL		2=5.55 mm			
5 = 5 COL		3=3.55 mm			
7 = 7 COL		4=4.55 mm			
		5=5.55 mm			
		7=3.55 mm			
		8=4.55 mm	1.27		
		9=5.55 mm			

- NOTES:**
- MATERIAL: HOUSING - LIQUID CRYSTAL POLYMER (LCP) GLASS-FILLED, UL 94V-0, COLOR - GRAY, SIGNAL CONTACT AND GROUND BLADE - HIGH PERFORMANCE COPPER ALLOY.
 - FINISHES: SELECTIVE GOLD (Au) 0.25 (MAPS), 0.76, 1.27 micrometers THICKNESS ON CONTACT AREA, SELECTIVE MATTE TIN (Sn) ON PCB TAILS, NICKEL (Ni) OVERALL.
 - THIS PART CONFORMS TO MOLEX PRODUCT SPECIFICATION PS-75221-999.
 - FOR MIXED CONTACT MATING LENGTHS CONSULT MOLEX FOR AVAILABILITY, CONTACT PAIRS MUST BE THE SAME LENGTH.
 - FOR SPECIFIC PART NUMBER AND MATING INFORMATION PLEASE REFER TO CHART.
 - PACKAGE PER PK-70873-563.
 - EITHER MARK PART NUMBER AND DATE CODE APPROXIMATELY WHERE SHOWN OR PLACE A LABEL ON THE TUBE.
 - THESE PARTS CONFORM TO MOLEX COSMETIC SPECIFICATION PS-45499-002 CLASS B.



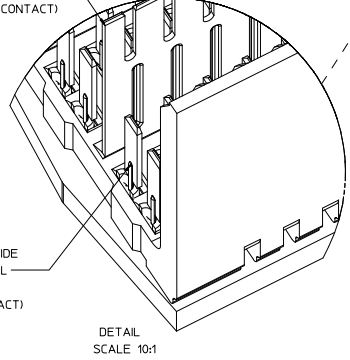
PART NUMBER TABLE				
ASSY PART NO.	K	L	P	TOTAL NO. OF DIFFERENTIAL PAIRS
75838-010*	9	16.65	18.35	40
75838-020*	24	44.40	46.10	100
75838-050*	4	7.40	9.10	20
75838-070*	6	11.10	12.80	28



ROW AG & KG RECOMMENDED FOR ALL APPLICATIONS. THESE ROWS SHOULD BE CONNECTED TO GROUND.

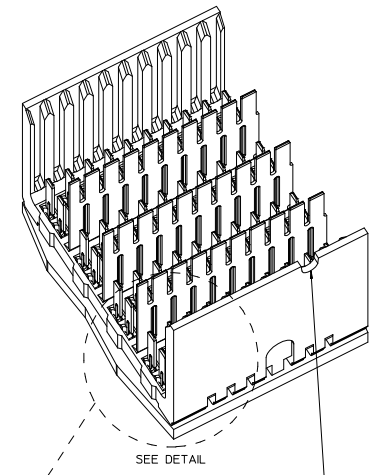
BACKPLANE HOLE PATTERN (COMPONENT SIDE-10 POS SHOWN)

MATING SIDE OF SHIELD (OPPOSITE RIB SIDE OF CONTACT)

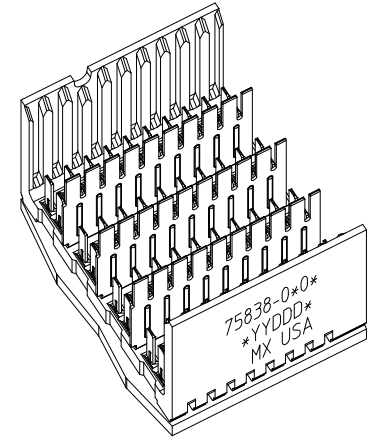


DETAIL SCALE 10:1

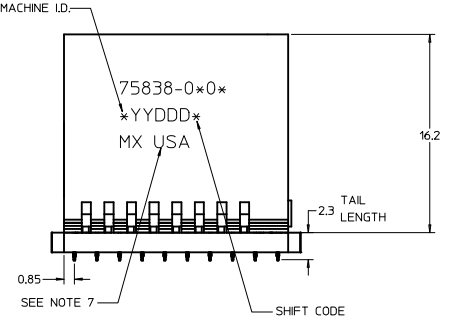
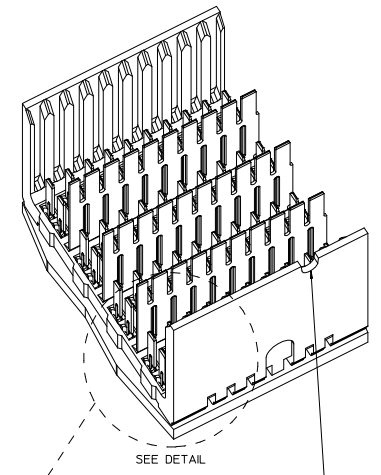
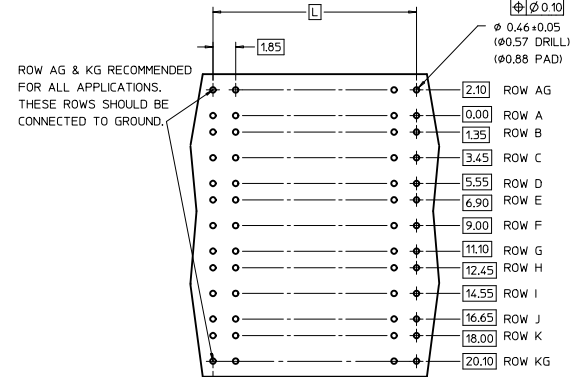
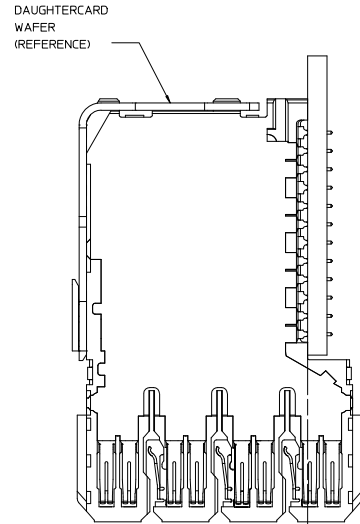
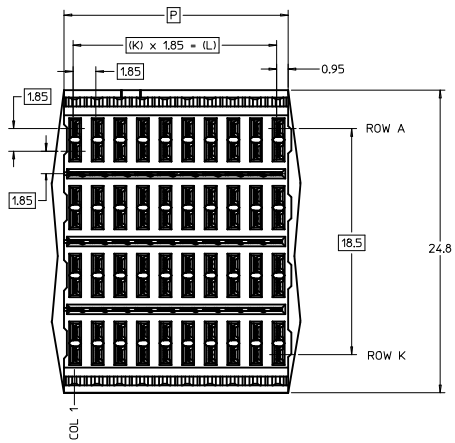
LEAD-FREE PLATING ON SIGNALS, & GROUNDS.



NOTCH DESIGNATES POSITION A1. ARCH AND NOTCH ON OPPOSITE SIDE OF PART MARKING



ADD MAPS PLATING EC NO: UCP2012-3688 DRWNSDANIELLY 2011/10/27 CHKDMMOLFE 2012/05/14 APPRSMILLER 2012/05/23	QUALITY SYMBOLS	GENERAL TOLERANCES (UNLESS SPECIFIED)	DIMENSION STYLE	SCALE	DESIGN UNITS	THIRD ANGLE PROJECTION
	▽=0	mm	MM ONLY	5:1	METRIC	
	▽=0	INCH				
	▽=0					
		4 PLACES ±---+---	DRAWN BY	DATE	TITLE	
		3 PLACES ±---+---	CTHOMAS	2006/01/03	GBX 4-PAIR OPEN END BACKPLANE ASSEMBLY	
		2 PLACES ±0.25+---	CHECKED BY	DATE	LEAD-FREE SALES DRAWING	
		1 PLACE ±0.38+---	KMULVEY	2006/01/04		
		0 PLACE ±+---	APPROVED BY	DATE		
			JB INGHAM	2006/01/05		
		ANGULAR ±---°	MATERIAL NO.	DOCUMENT NO.	SHEET NO.	
		DRAFT WHERE APPLICABLE MUST REMAIN WITHIN DIMENSIONS	SEE TABLE	SD-75838-010	1 OF 1	
			THIS DRAWING CONTAINS INFORMATION THAT IS PROPRIETARY TO MOLEX INCORPORATED AND SHOULD NOT BE USED WITHOUT WRITTEN PERMISSION			

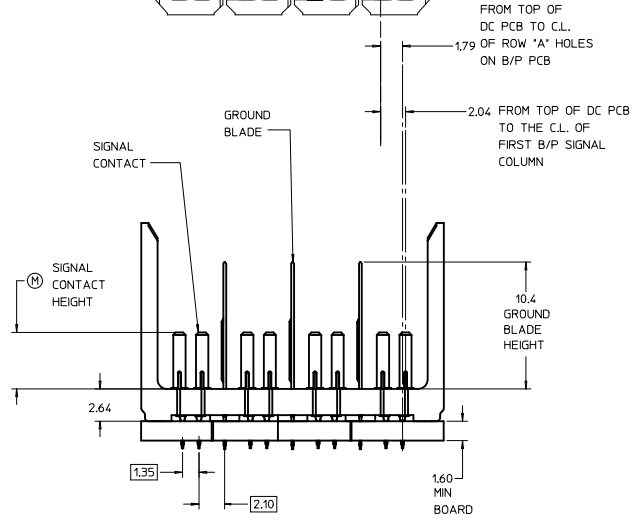


MODULE ORIENTATION OPEN = 0

COLUMN	PIN LENGTH DIM "M"	GOLD (Au) THICKNESS micrometers
1 = 10 COL	0-3.55 mm	0.25
2 = 25 COL	1-4.55 mm	
5 = 5 COL	2-5.55 mm	0.76
7 = 7 COL	3-3.55 mm	
	4-4.55 mm	
	5-5.55 mm	
	7-3.55 mm	1.27
	8-4.55 mm	
	9-5.55 mm	

KEYING ORIENTATION 0 = OPEN

- NOTES:
- MATERIAL: HOUSING - LIQUID CRYSTAL POLYMER (LCP) GLASS-FILLED, UL 94V-0, COLOR - GRAY, SIGNAL CONTACT AND GROUND BLADE - HIGH PERFORMANCE COPPER ALLOY.
 - FINISHES: SELECTIVE GOLD (Au) 0.25 (MAPS), 0.76, 1.27 micrometers THICKNESS ON CONTACT AREA, SELECTIVE MATTE TIN (Sn) ON PCB TAILS, NICKEL (Ni) OVERALL.
 - THIS PART CONFORMS TO MOLEX PRODUCT SPECIFICATION PS-75221-999.
 - FOR MIXED CONTACT MATING LENGTHS CONSULT MOLEX FOR AVAILABILITY, CONTACT PAIRS MUST BE THE SAME LENGTH.
 - FOR SPECIFIC PART NUMBER AND MATING INFORMATION PLEASE REFER TO CHART.
 - PACKAGE PER PK-70873-563.
 - EITHER MARK PART NUMBER AND DATE CODE APPROXIMATELY WHERE SHOWN OR PLACE A LABEL ON THE TUBE.
 - THESE PARTS CONFORM TO MOLEX COSMETIC SPECIFICATION PS-45499-002 CLASS B.



LEAD-FREE PLATING ON SIGNALS, & GROUNDS.

PART NUMBER TABLE				
ASSY PART NO.	K	L	P	TOTAL NO. OF DIFFERENTIAL PAIRS
75838-010*	9	16.65	18.35	40
75838-020*	24	44.40	46.10	100
75838-050*	4	7.40	9.10	20
75838-070*	6	11.10	12.80	28

ADD MAPS PLATING EC NO: UCP2012-3688 DRWNS/DANIELLY 2011/10/27 CHKD/MOLFE 2012/05/14 APPR/S MILLER 2012/05/23	QUALITY SYMBOLS	GENERAL TOLERANCES (UNLESS SPECIFIED)	DIMENSION STYLE	SCALE	DESIGN UNITS	THIRD ANGLE PROJECTION
	▽=0	mm	MM ONLY	5:1	METRIC	
	▽=0	INCH				
	▽=0					
		4 PLACES ±---+---	DRAWN BY	DATE	TITLE	
		3 PLACES ±---+---	CTHOMAS	2006/01/03	GBX 4-PAIR OPEN END BACKPLANE ASSEMBLY	
		2 PLACES ±0.25+---	CHECKED BY	DATE	LEAD-FREE SALES DRAWING	
		1 PLACE ±0.38+---	KMULVEY	2006/01/04		
		0 PLACE ±+---	APPROVED BY	DATE		
		ANGULAR ±---°	JB INGHAM	2006/01/05		
		DRAFT WHERE APPLICABLE MUST REMAIN WITHIN DIMENSIONS	MATERIAL NO.	DOCUMENT NO.	SHEET NO.	
			SEE TABLE	SD-75838-010	1 OF 1	
			THIS DRAWING CONTAINS INFORMATION THAT IS PROPRIETARY TO MOLEX INCORPORATED AND SHOULD NOT BE USED WITHOUT WRITTEN PERMISSION			