

MATERIALS AND FINISHES:

SMA JACK BULKHEAD IP68 CONNECTOR:

BODY, CRIMP TUBE, JAM NUT: BRASS
PLATED GOLD

CENTER CONTACT: BERYLLIUM COPPER
PLATED GOLD

INSULATOR: PTFE

LOCK WASHER: PHOSPHOR BRONZE
PLATED GOLD

GASKET: SILICONE RUBBER

MHF® I LK CONNECTOR:

CABLE: 1.37MM CABLE

HEAT SHRINK TUBE: PE

PERFORMANCE REQUIREMENTS

FREQUENCY RANGE: 0~6GHz

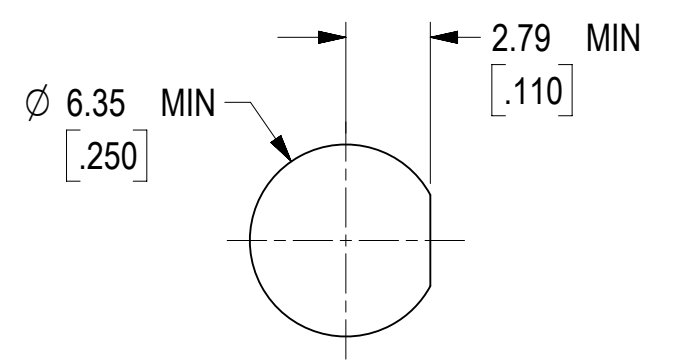
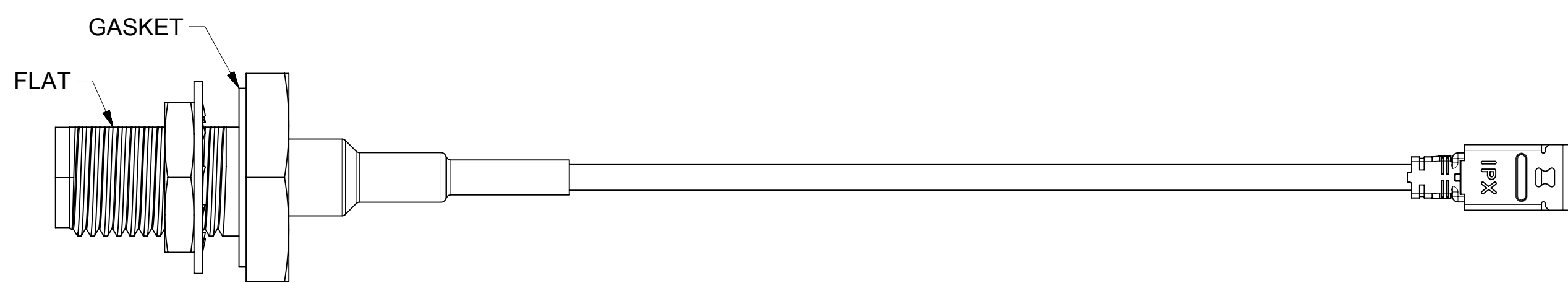
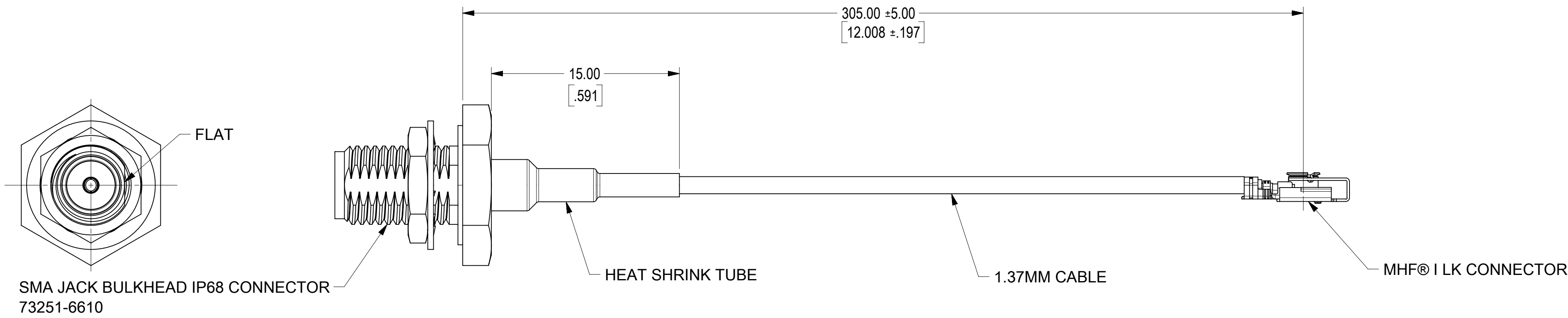
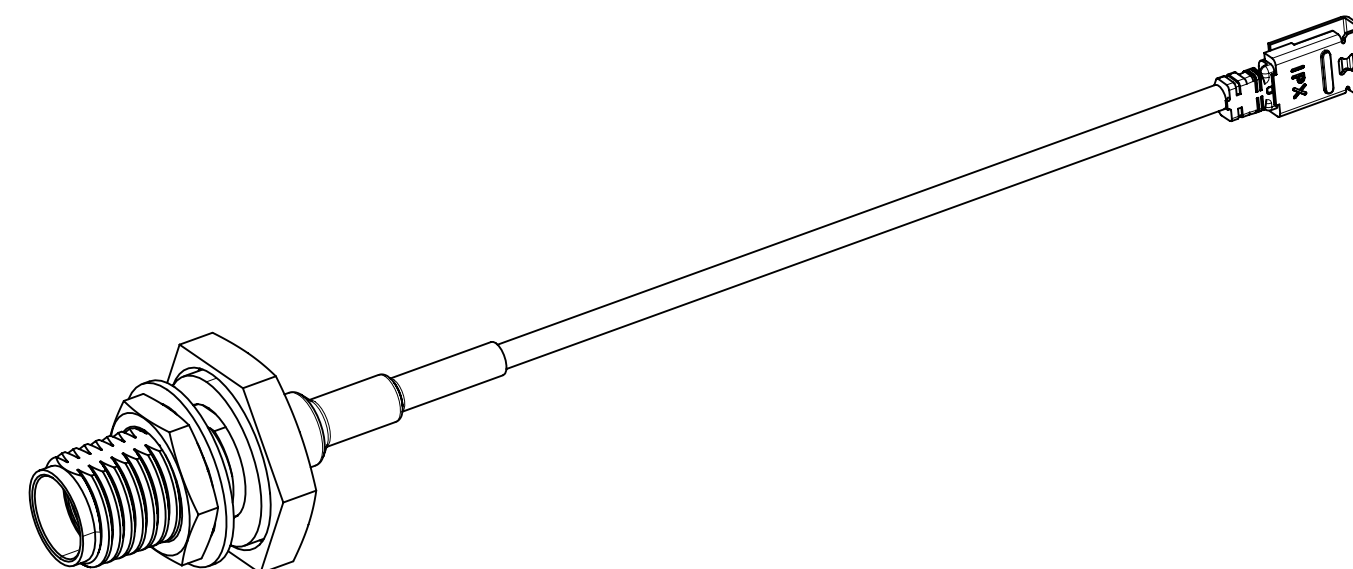
IMPEDANCE: 50 Ω

WITHSTAND VOLTAGE(AC): 350V @0.5mA

CONTINUITY: 100% TEST

PANEL LEAKAGE: IP68

PACKAGING BY PLASTIC BAG



RECOMMENDED MOUNTING HOLE

PART # 73230-6130

FUNCTIONAL SYMBOLS	THIS DRAWING CONTAINS INFORMATION THAT IS PROPRIETARY TO MOLEX ELECTRONIC TECHNOLOGIES, LLC AND SHOULD NOT BE USED WITHOUT WRITTEN PERMISSION		
	DIMENSION UNITS	SCALE	CURRENT REV DESC:
$\frac{F}{A} = 0$	MM/INCH	4:1	EC NO: 721426 DRWN: YHUANG11 2022/07/15 CHK'D: MYLU07 2022/09/21 APPR: LCHEN03 2022/09/22
$\frac{E}{C} = 0$	GENERAL TOLERANCES (UNLESS SPECIFIED)		
$\frac{E}{P} = 0$	ANGULAR TOL	± °	INITIAL REVISION:
DIVISIONAL SYMBOLS	4 PLACES	±	DRWN: YHUANG11 2022/07/15
	3 PLACES	±	APPR: LCHEN03 2022/09/22
	2 PLACES	±	
	1 PLACE	±	
	0 PLACES	±	
DRAFT WHERE APPLICABLE MUST REMAIN WITHIN DIMENSIONS		THIRD ANGLE PROJECTION	DRAWING SERIES
			C-SIZE 73230
DOCUMENT STATUS		DOCUMENT NUMBER	DOC TYPE DOC PART REVISION
P1	RELEASE DATE 2022/09/22 07:56:02	732306130	PSD 000 A
		MATERIAL NUMBER	CUSTOMER SHEET NUMBER
		73230-6130	GENERAL MARKET 1 OF 1