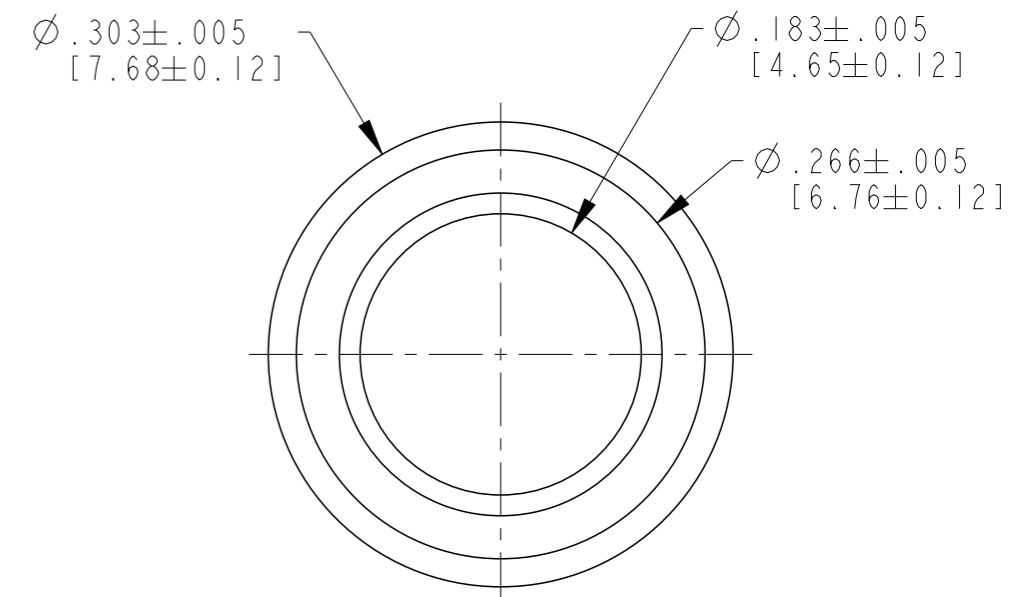
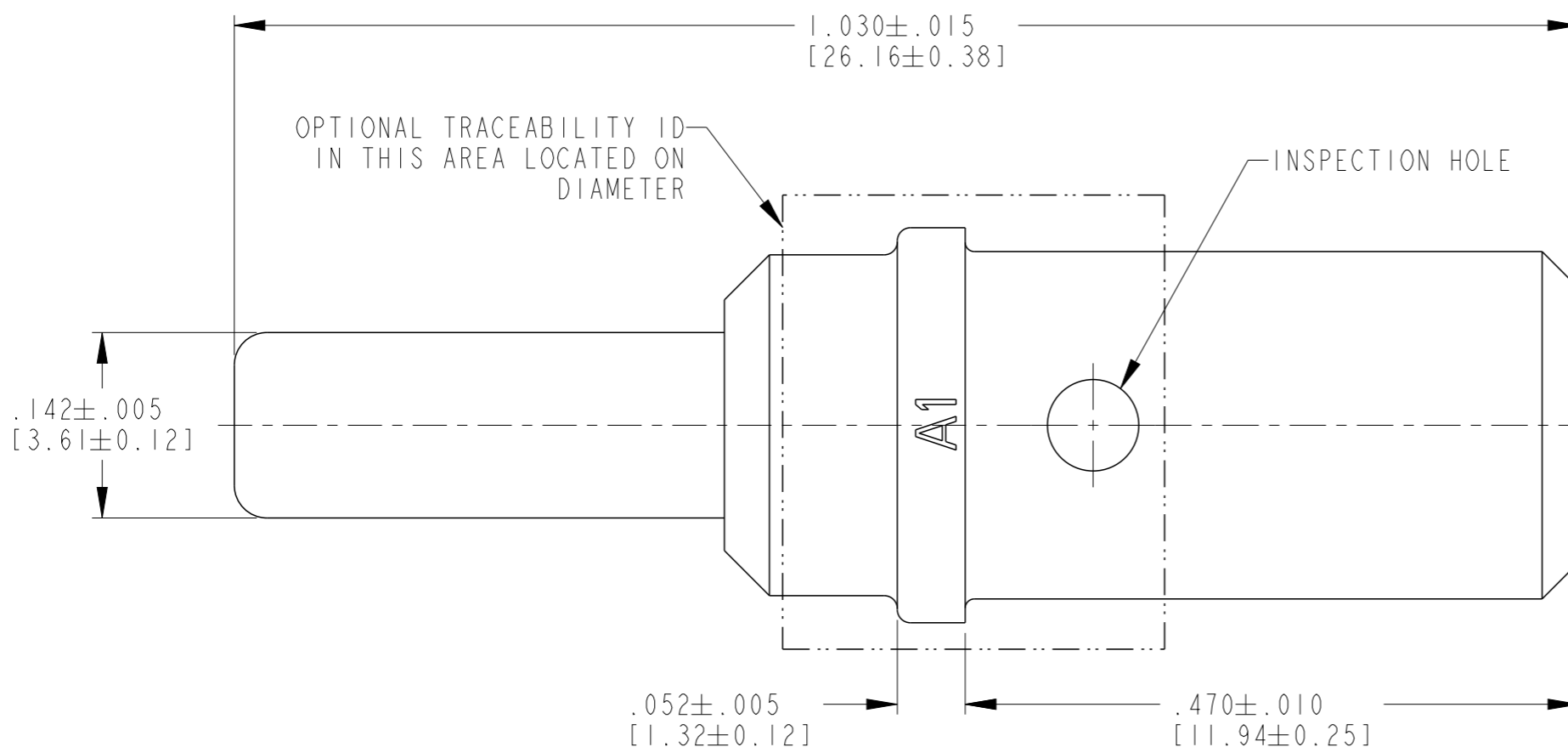


REVISIONS

P	LTR	DESCRIPTION	DATE	DWN	APVD
	A	REVISED PER PCN E-18-012207	31JUL2018	JA	DM
	A1	REVISED PER PCN E-20-012444	03SEP2020	CL	IG



(A1) 2. SEE APPLICATION SPECIFICATION 114-151004 FOR CRIMP TOOLS AND WIRE RANGE

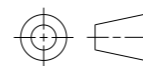
(A1) 1. DELETED

NOTES:

TE INTERNAL PN	DEUTSCH PN	PLATING
0460-204-08141	0460-204-08141	NICKEL

THIS DRAWING IS A CONTROLLED DOCUMENT.

DIMENSIONS:  
INCHES [mm]



MATERIAL  
COPPER ALLOY

TOLERANCES UNLESS OTHERWISE SPECIFIED:

0 PLC	±
1 PLC	±
2 PLC	±
3 PLC	±
4 PLC	±
ANGLES	±

FINISH  
SEE TABLE

DWN 29NOV2000

CHK D.MEYER

APVD S.BEARD

R. REED 08DEC2000

PRODUCT SPEC

108-151004

APPLICATION SPEC

114-151004

WEIGHT 4.5g

CUSTOMER DRAWING

NAME CONTACT PIN SIZE 8

SIZE A3 CAGE CODE 4AFU8 DRAWING NO. C=0460-204-08XX RESTRICTED TO -

SCALE 8:1 SHEET 1 OF 1 REV A1

