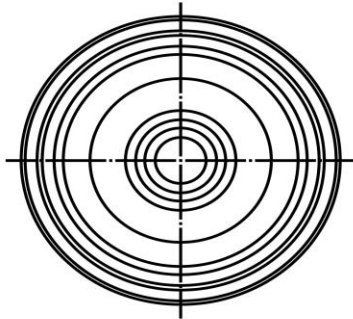
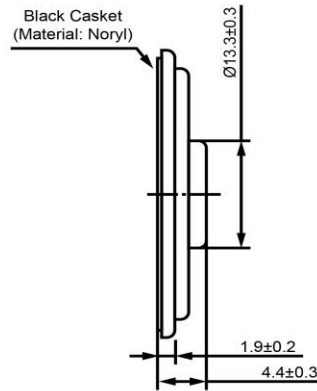


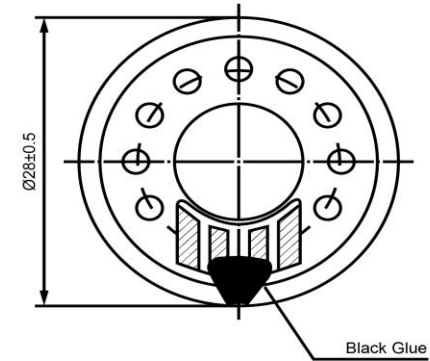
TOP VIEW




SIDE VIEW



BOTTOM VIEW



Specifications			Notes	Revision History					
Description	Value	Unit		Version	Description	Date	Approved		
Shape	Round		1) All dimensions are in mm unless otherwise noted 2) All parts meet RoHS	1	Released from Engineering	2/5/2014	J.S.		
Resonant Frequency	600	(Hz)							
Frequency Range	600 ~ 6,500	(Hz)							
SPL @ 10cm	91	(dBA)							
Impedance	32	(Ohm)							
Cone Material	Mylar								
Nominal Power	0.25	(W)							
Max Power	0.5	(W)							
Mount Type	Flush Mount								
Operating Temperature	-20 ~ +85	°C							
Storage Temperature	-30 ~ +85	°C							
Weight	4.5	(g)							
 DB UNLIMITED				High Temp Dynamic Speaker			SM280632-1		
				Drawn by G.W.	Date 1/27/2014	Checked by C.E.	Date 2/4/2014	Approved by J.S.	Date 2/5/2014